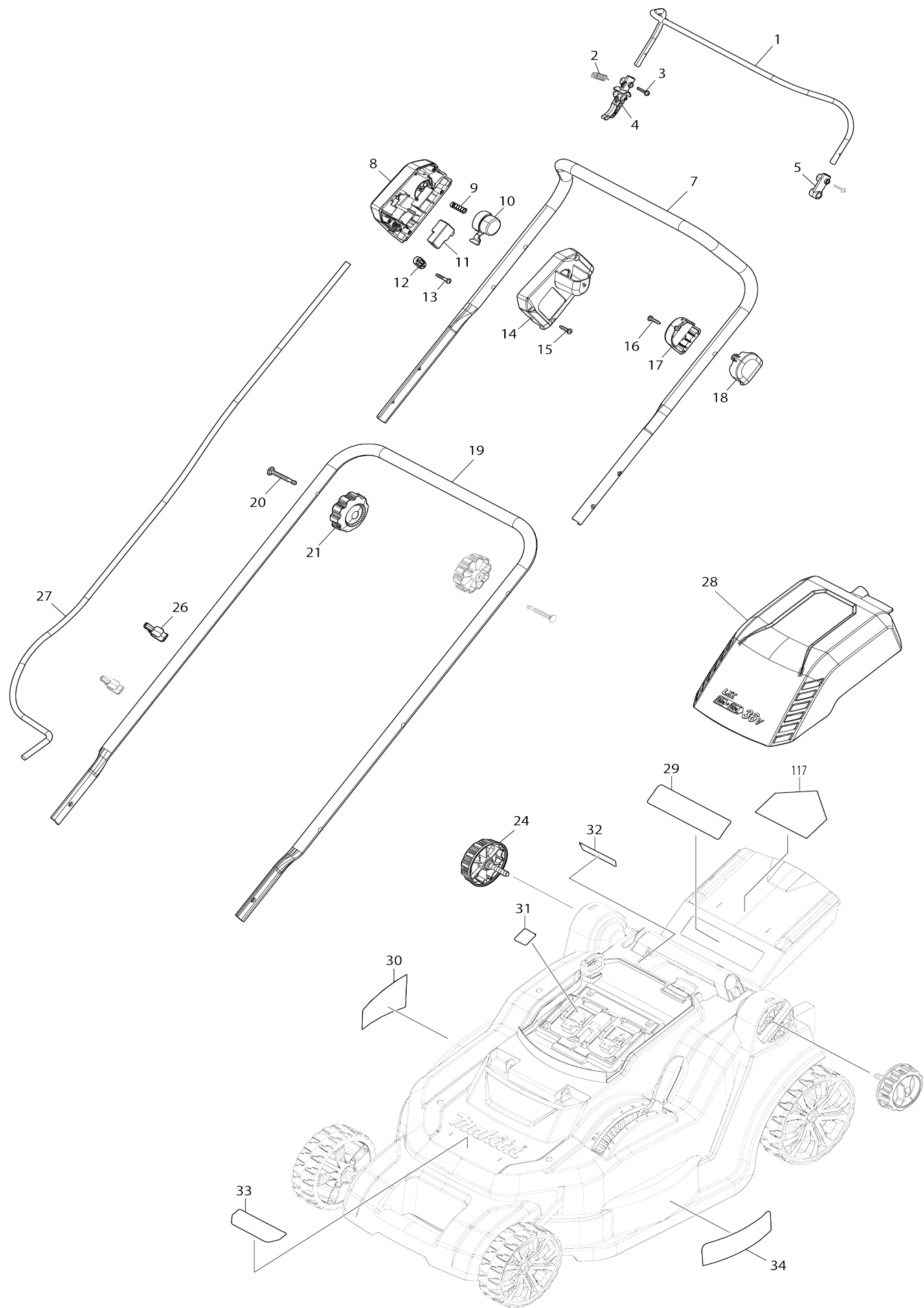
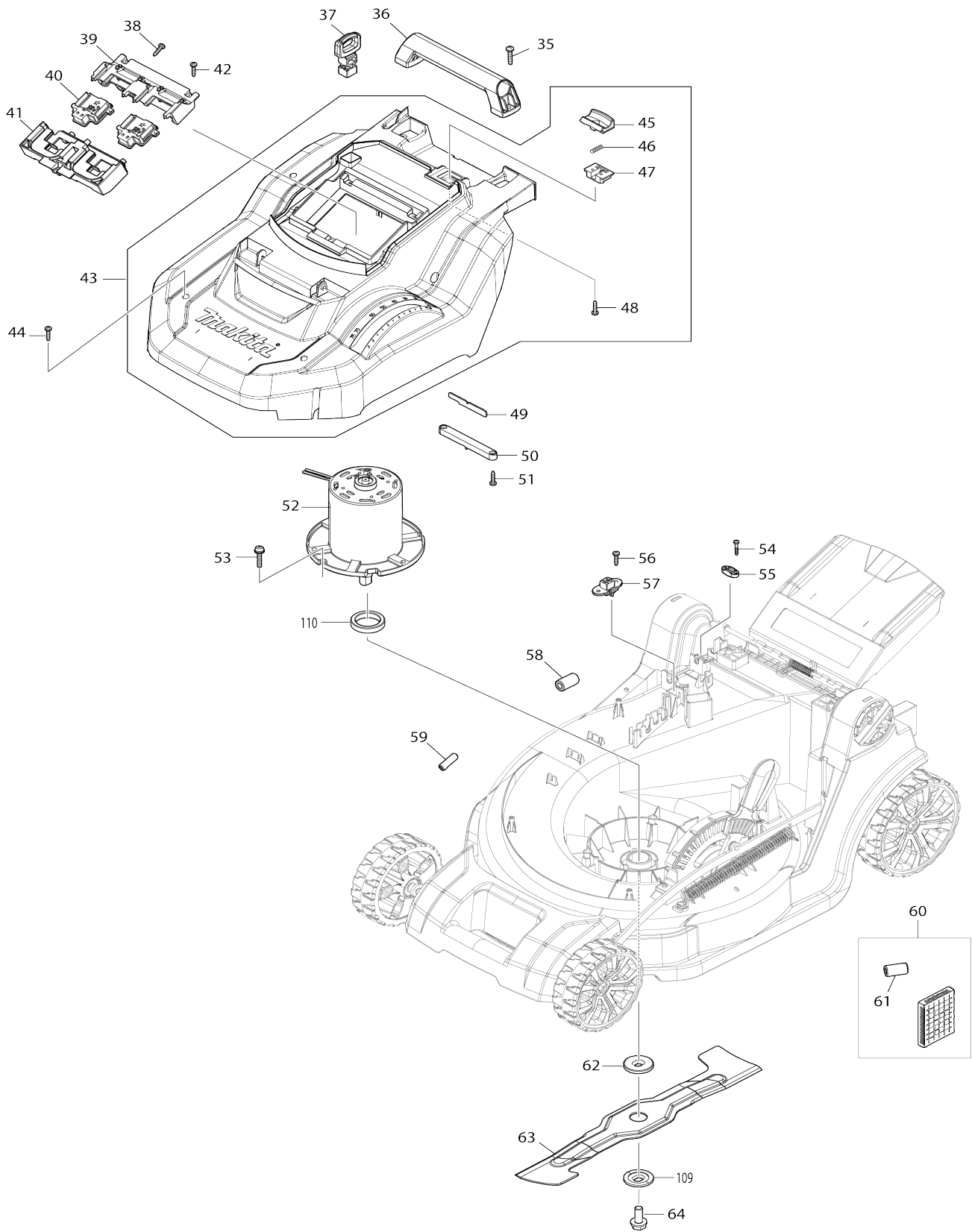


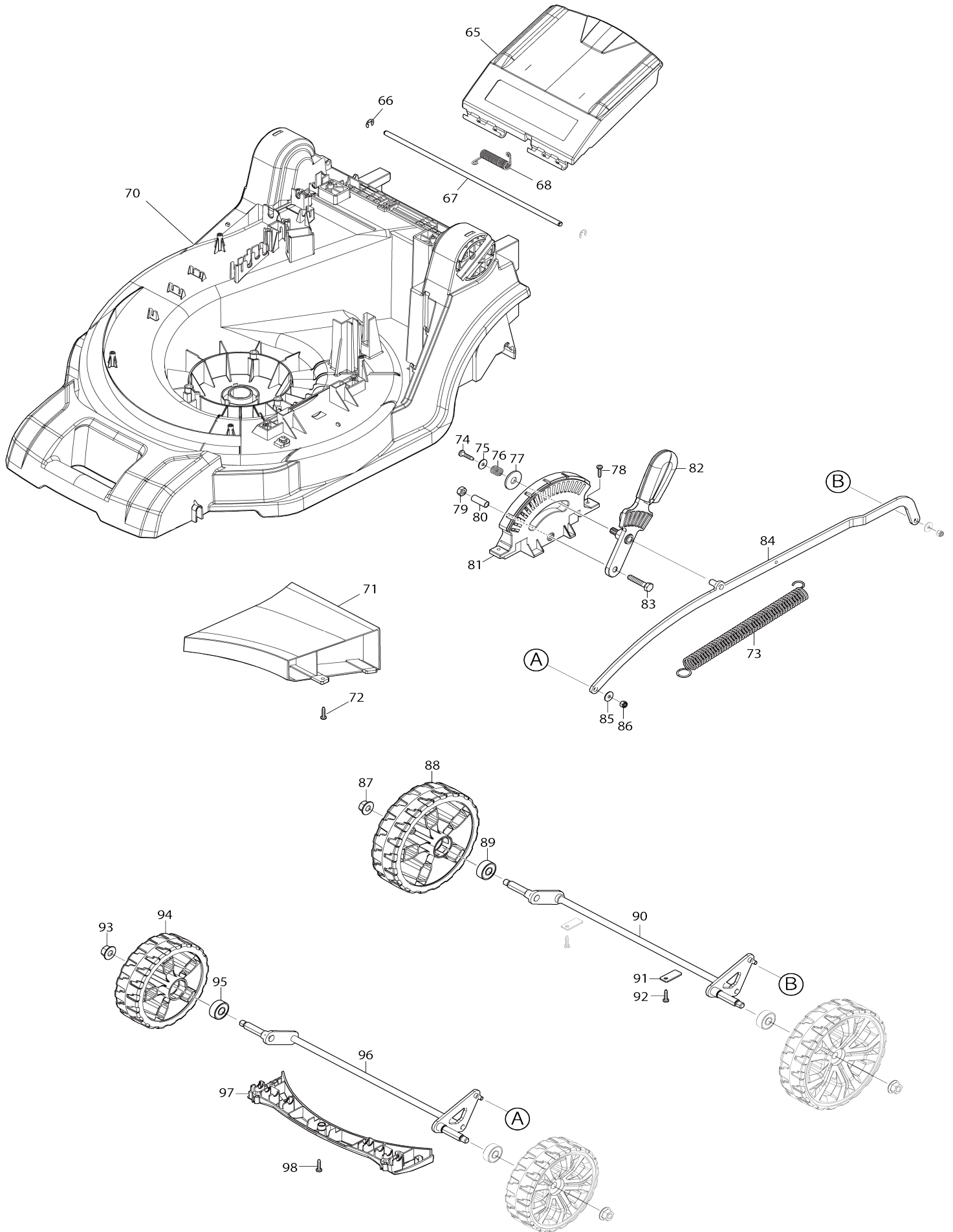
Model No.DLM432 430MM CORDLESS LAWN MOWER



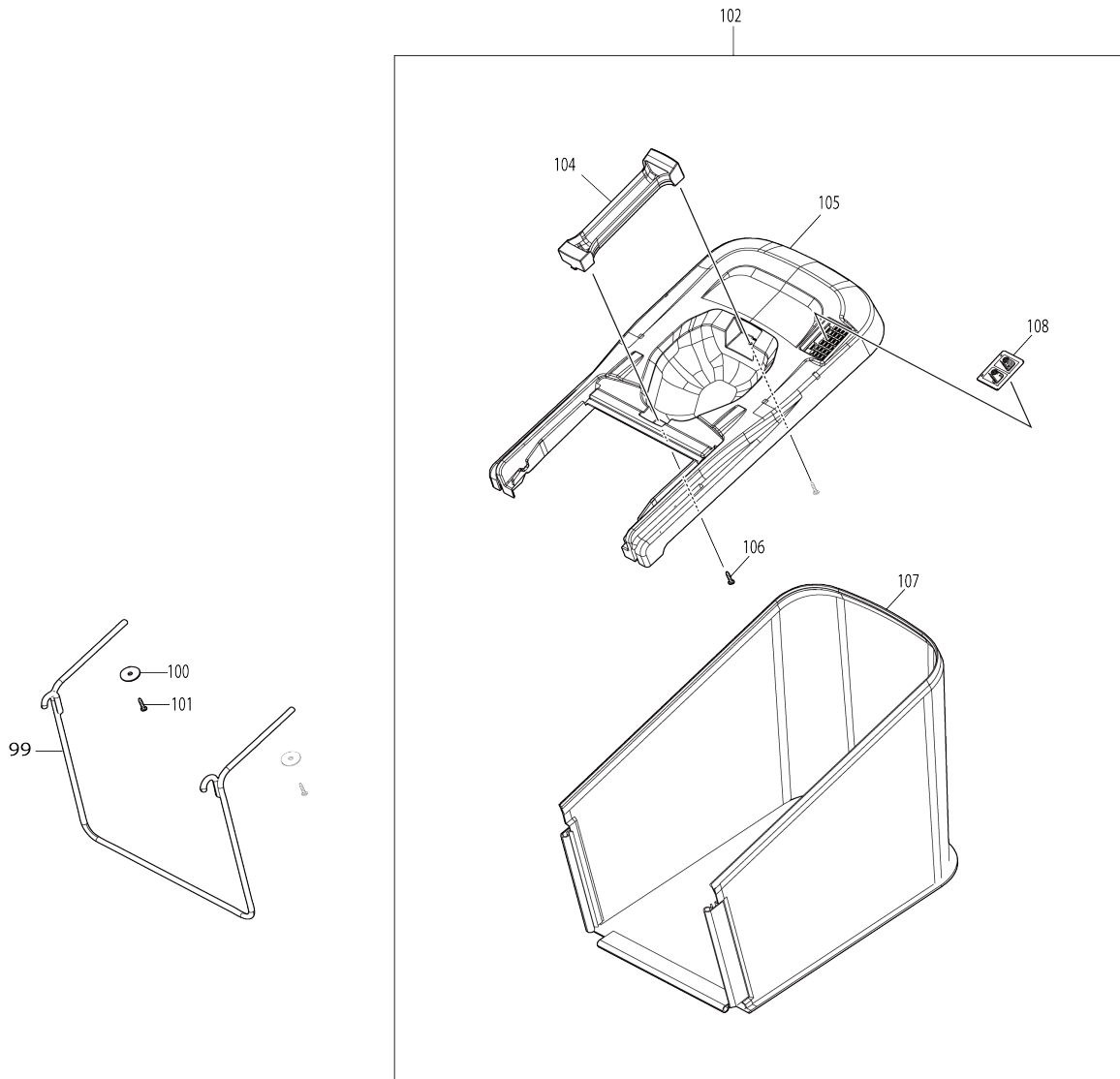
Model No.DLM432 430MM CORDLESS LAWN MOWER



Model No.DLM432 430MM CORDLESS LAWN MOWER



Model No.DLM432 430MM CORDLESS LAWN MOWER



Model No.DLM432 430MM CORDLESS LAWN MOWER

Obj. č.	Obj. č.	Popis	Možn ost zá měny	Množ ství	Nový/ Starý	Poznámka 1	Poznámka 2
001	326636-0	SWITCH LEVER		1		p	
002	231876-6	TENSION SPRING 9		1			
003	911138-5	P.H.SCREW M4X20 WITH WR		2			
004	455075-8	LEVER		1		p	
005	455078-2	ARM		1			
007	143510-5	UPPER PIPE COMPLETE		1		rukoje	
008	459804-1	SWITCH BOX		1		pouzdro vyp	
009	233068-3	COMPRESSION SPRING 6		1		pru	
010	455074-0	SWITCH BUTTON		1		tla	
011	650730-9	SWITCH TG72BD-6		1		vyp	
012	687124-5	držák kabelu		1		dr	
013	265999-8	TAPPING SCREW 4X25		2	*		
013-1	265B73-4	TAPPING SCREW 4X25	O	2			
014	140N15-0	SWITCH BOX COVER COMPLETE K		1		kryt vyp	
C10	890374-5	INDICATION LABEL		1			
015	266326-2	šroub 4x18=new265995-6		4	*		
015-1	265B67-9	TAPPING SCREW 4X18	O	4			
016	266326-2	šroub 4x18=new265995-6		1	*		
016-1	265B67-9	TAPPING SCREW 4X18	O	1			
017	456352-1	SWITCH LEVER CASE COVER		1		sk	
018	456351-3	SWITCH LEVER CASE		1		sk	
019	326635-2	LOWER PIPE		1		spodn	
020	265A14-4	CUP H. SQUARE NECK BOLT M6X 50		2			
021	264070-5	THUMB NUT M6		2		matka	
024	266729-0	THUMB SCREW M8X35		2			
026	459809-1	HOLDER		2		dr	
027	660393-3	POWER SUPPLY CORD		1	*	kabel	
027-1	660396-7	POWER SUPPLY CORD	O	1	*	kabel =old 660393-3	
027-2	660393-3	POWER SUPPLY CORD	O	1		kabel	
028	140N21-5	BATTERY COVER COMPLETE E		1	*	kryt	
C10	8005W1-7	CAUTION LABEL		1	*		
028-1	1410K1-7	BATTERY COVER COMPLETE E	O	1			
C10	8075Y8-8	CAUTION LABEL		1			
029	890375-3	CAUTION LABEL		1	*		
029-1	8075Y7-0	CAUTION LABEL	O	1			
030	856L50-3	DLM432 NAME PLATE		1			
031	856L57-9	DLM432 SERIAL NO. LABEL		1			
032	8005W9-1	INDICATION LABEL		1			
033	8005W4-1	INDICATION LABEL		1			
034	8005W5-9	INDICATION LABEL		1	*		
035	266459-3	TAPPING SCREW 5X25		2	*		
035-1	265D56-6	TAPPING SCREW 5X25	O	2			
036	273675-0	GRIP A		1		dr	
037	643890-4	KEY		1		kl	
038	266326-2	šroub 4x18=new265995-6		3	*		
038-1	265B67-9	TAPPING SCREW 4X18	O	3			
039	183N35-1	TERMINAL HOUSING SET		1		kryt kontaktu	

C10	263005-3	vymezovací čep 6		4		
039		INC. 41				
040	644809-6	TERMINAL		2		kontakt
041	183N35-1	TERMINAL HOUSING SET		1		kryt kontaktu
C10	263005-3	vymezovací čep 6		4		
041		INC. 39				
042	266326-2	šroub 4x18=new265995-6		3	*	
042-1	265B67-9	TAPPING SCREW 4X18	O	3		
043	127387-6	COWLING M ASSEMBLY		1		dr
043		INC. 45-48				
044	266326-2	šroub 4x18=new265995-6		4	*	
044-1	265B67-9	TAPPING SCREW 4X18	O	4		
045	453250-0	LOCK LEVER		1		p
046	233173-6	pružina UC3020A-Serie		1	*	
046-1	LC233173-6	COMPRESSION SPRING 4	O	1	*	
046-2	233173-6	pružina UC3020A-Serie	O	1		
047	453251-8	LOCK LEVER SUPPORT		1		
048	266326-2	šroub 4x18=new265995-6		2	*	
048-1	265B67-9	TAPPING SCREW 4X18	O	2		
049	620B91-3	LED CIRCUIT		1		okruh
050	455070-8	LED COVER		1		
051	266326-2	šroub 4x18=new265995-6		2	*	
051-1	265B67-9	TAPPING SCREW 4X18	O	2		
052	629A18-4	DC MOTOR		1	*	motor DLM432=new 629C53-4
052-1	629A18-4	DC MOTOR	O	1	*	motor DLM432=new 629C53-4
052-2	629C53-4	DC MOTOR	<	1		motor DLM432=old6 29A18-4
053	266774-5	+ PAN HEAD SCREW M6X30 WIT H WR		3	*	
053-1	266774-5	+ PAN HEAD SCREW M6X30 WIT H WR	O	3	*	
053-2	265D69-7	+PAN HEAD SCREW M6X30 WITH WRM	O	3		
054	265999-8	TAPPING SCREW 4X25		2	*	
054-1	265B73-4	TAPPING SCREW 4X25	O	2		
055	687124-5	držák kabelu		1		dr
056	266326-2	šroub 4x18=new265995-6		2	*	
056-1	265B67-9	TAPPING SCREW 4X18	O	2		
057	638946-6	LEAD UNIT		1		vyp
058	688162-0	LINE FILTER		1		filtr UB1103
059	688165-4	LINE FILTER		2		st
060	632P19-3	CONTROLLER UNIT		1	*	elektronika DLM432= new632U26-6
C10	654208-4	RECEPTACLE		1	*	
060		INC. 61			*	
060-1	632U26-6	CONTROLLER UNIT	<	1		elektronika DLM432 =alt 632P19-3
C10	654199-9	RECEPTACLE		1		
060-1		INC. 61				
061	688162-0	LINE FILTER		1		filtr UB1103
062	224444-2	INNER FLANGE 40		1		p
063	191D43-8	BLADE 430 SET		1		

064	266731-3	HEX. BOLT M10X25		1			
065	140S15-0	REAR FLAP COMPLETE		1	*	zadn	
065		INC. 29			*		
065-1	1410K0-9	REAR FLAP COMPLETE	O	1			
065-1		INC. 29					
066	LC961018-5	STOP RING (EXT) E-5		2	*		
066-1	961018-5	zajišťovací kroužek E-5	O	2		zaji	
067	259067-7	ROD 6		1		ty	
068	LC233597-6	TORSION SPRING 8		1	*		
068-1	233597-6	TORSION SPRING 8	O	1		pru	
070	459780-9	DECK		1	*	kryt	
C10	346544-9	PLATE NUT M8		2	*	matka DLM382 DLM4 32	
C20	931302-2	matka M6		3	*	matka M6=new25227 3-3	
070-1	459780-9	DECK	O	1	*	kryt	
C10	346544-9	PLATE NUT M8		2	*	matka DLM382 DLM4 32	
C20	931302-2	matka M6		3	*	matka M6=new25227 3-3	
070-1	413T64-9	DECK	S	1			
070-2	413T64-9	DECK	S	1			
C10	346544-9	PLATE NUT M8		2		matka DLM382 DLM4 32	
C20	931302-2	matka M6		3		matka M6=new25227 3-3	
071	412272-9	UNDER COVER		1		kryt	
072	266326-2	šroub 4x18=new265995-6		3	*		
072-1	265B67-9	TAPPING SCREW 4X18	O	3			
073	LC231875-8	TENSION SPRING 16		1	*		
073-1	231875-8	TENSION SPRING 16	O	1		pru	
074	266326-2	šroub 4x18=new265995-6		1	*		
074-1	265B67-9	TAPPING SCREW 4X18	O	1			
075	LC267102A7	FLAT WASHER 4		1	*		
075-1	267102-7	FLAT WASHER 4	O	1	*		
075-2	253607-3	FLAT WASHER 4	O	1			
076	LC231297-2	COMPRESSION SPRING 9		1	*		
076-1	231297-2	vinutá pružina 9	O	1		vinut	
077	LC253808A3	FLAT WASHER 9		1	*		
077-1	253808-3	FLAT WASHER 9	O	1			
078	266326-2	šroub 4x18=new265995-6		2	*		
078-1	265B67-9	TAPPING SCREW 4X18	O	2			
079	931302-2	matka M6		1		matka M6=new25227 3-3	
080	LC257670A8	SLEEVE 6		1	*		
080-1	257670-8	SLEEVE 6	O	1			
081	453255-0	ADJUST PLATE		1			
082	459099-6	CHANGE LEVER		1		p	
083	LC921352-5	HEX.BOLT M6X30		1	*		
083-1	921352-5	HEX. BOLT M6X30	O	1			
084	346543-1	CONNECTING ROD		1		ty	
085	LC941101-4	FLAT WASHER 5		2	*		
085-1	941101-4	podložka 5	O	2		podlo	
086	252103-8	zajišťovací šroub M5-8		2			

087	LC252145-2	COLLARED HEX. NUT M8		2	*		
087-1	252145-2	pastorek	O	2			
088	459101-5	REAR WHEEL		2		zadn	
089	LC210070-3	BALL BEARING 6200ZZ		2	*		
089-1	210070-3	BALL BEARING 6200ZZ	O	2	*	kuli	
089-2	210303-6	BALL BEARING 6200ZZ	O	2			
090	165669-8	REAR SHAFT		1	*	osa zadn	
090-1	162C97-6	REAR SHAFT	<	1		osa zadn	
091	LC346545-7	PLATE		2	*		
091-1	346545-7	PLATE	O	2		deska	
092	266326-2	šroub 4x18=new265995-6		2	*		
092-1	265B67-9	TAPPING SCREW 4X18	O	2			
093	LC252145-2	COLLARED HEX. NUT M8		2	*		
093-1	252145-2	pastorek	O	2			
094	459100-7	FRONT WHEEL		2		p	
095	LC210070-3	BALL BEARING 6200ZZ		2	*		
095-1	210070-3	BALL BEARING 6200ZZ	O	2	*	kuli	
095-2	210303-6	BALL BEARING 6200ZZ	O	2			
096	165668-0	FRONT SHAFT		1	*		
096-1	162C68-3	FRONT SHAFT	O	1		osa p	
097	456353-9	FRONT COVER		1		kryt	
098	266326-2	šroub 4x18=new265995-6		5	*		
098-1	265B67-9	TAPPING SCREW 4X18	O	5			
099	327409-4	REAR BAG ROD		1	*	ty	
099-1	327411-7	REAR BAG ROD	S	1		ty	
100	267438-4	FLAT WASHER 5		2		podlo	
101	266326-2	šroub 4x18=new265995-6		2	*		
101-1	265B67-9	TAPPING SCREW 4X18	O	2			
102	127386-8	REAR BAG ASSEMBLY M		1	*	ko	
102		INC. 104-108			*		
102-1	127392-3	REAR BAG ASSEMBLY M	S	1		ko	
102-1		INC. 104-108					
104	273676-8	GRIP B		1			
105	459807-5	REAR BAG COVER		1	*		
105-1	459812-2	REAR BAG COVER	X	1			
106	266326-2	šroub 4x18=new265995-6		2	*		
106-1	265B67-9	TAPPING SCREW 4X18	O	2	*		
106-2	266326-2	šroub 4x18=new265995-6	O	2	*		
106-3	265B67-9	TAPPING SCREW 4X18	O	2			
107	162680-1	REAR BAG		1	*	vak na ko	
107-1	162684-3	REAR BAG	X	1			
108	459806-7	INDICATOR M		1			
109	224445-0	OUTER FLANGE 40		1		p	
110	688238-3	LINE FILTER		1		filtr	
A01	782210-8	klíč 17		1			
A02	***DC18RD	DC18RD TWO PORT FAST CHARGER		1			
A02		COMPO-PARTS					
A02	***DC18SH	DC18SH TWO PORT CHARGER		1			
A03	197280-8	BATTERY BL1850B SET		2			
E01	817C33-4	SOUND 92DB LABEL		1	*		
E01-1	819V88-9	SOUND 95DB LABEL	<	1			

