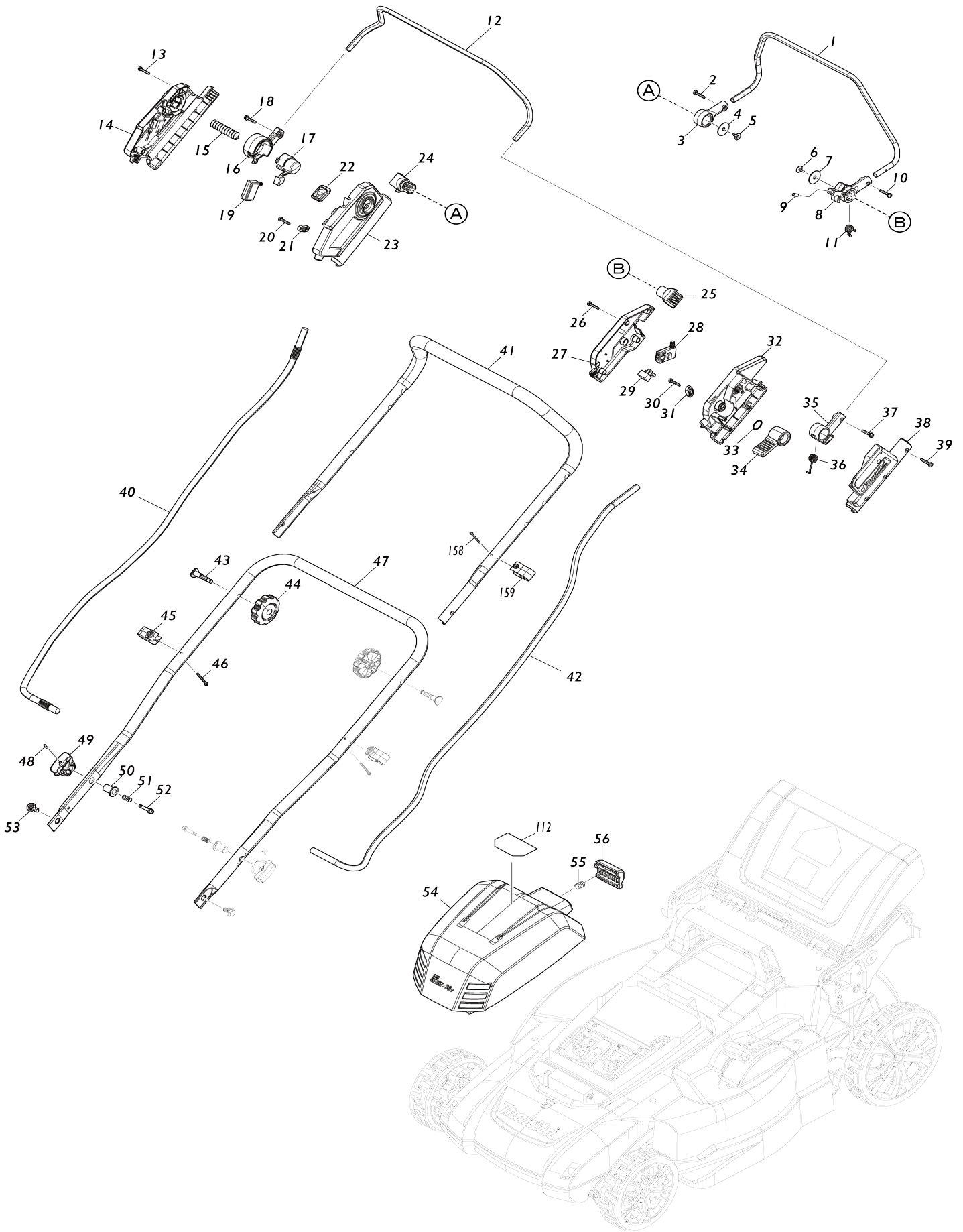
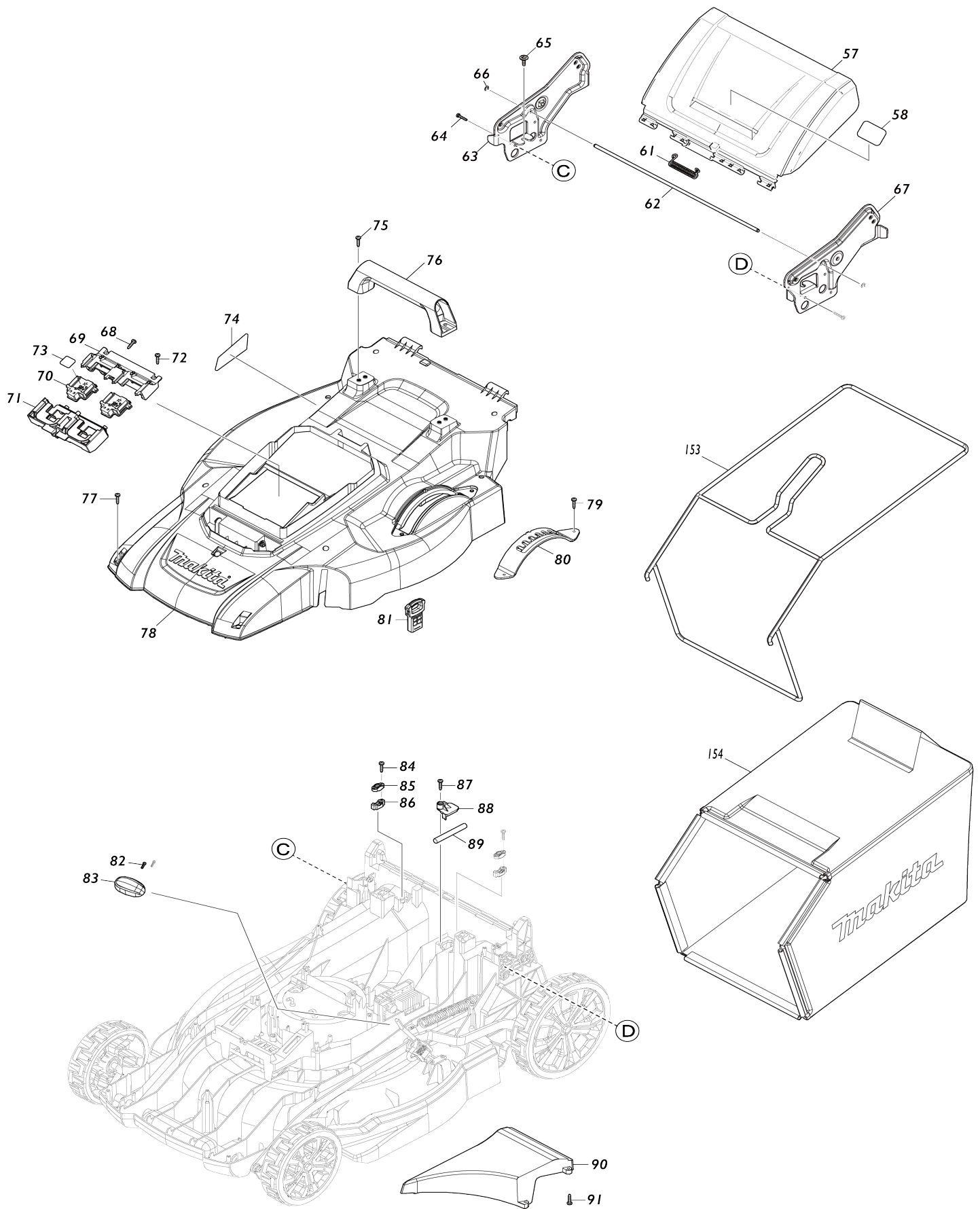


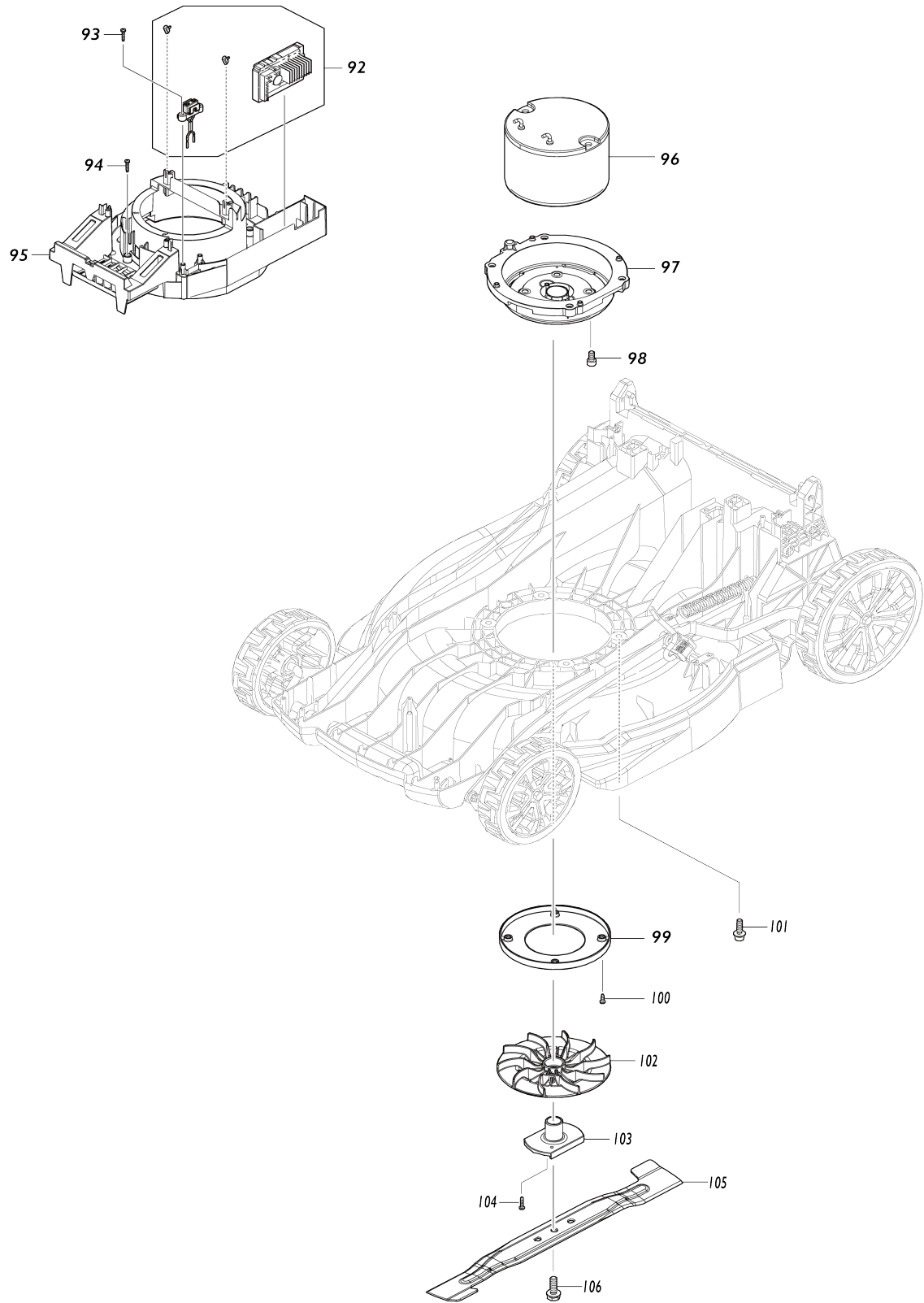
Model No.DLM481 480MM CORDLESS LAWN MOWER



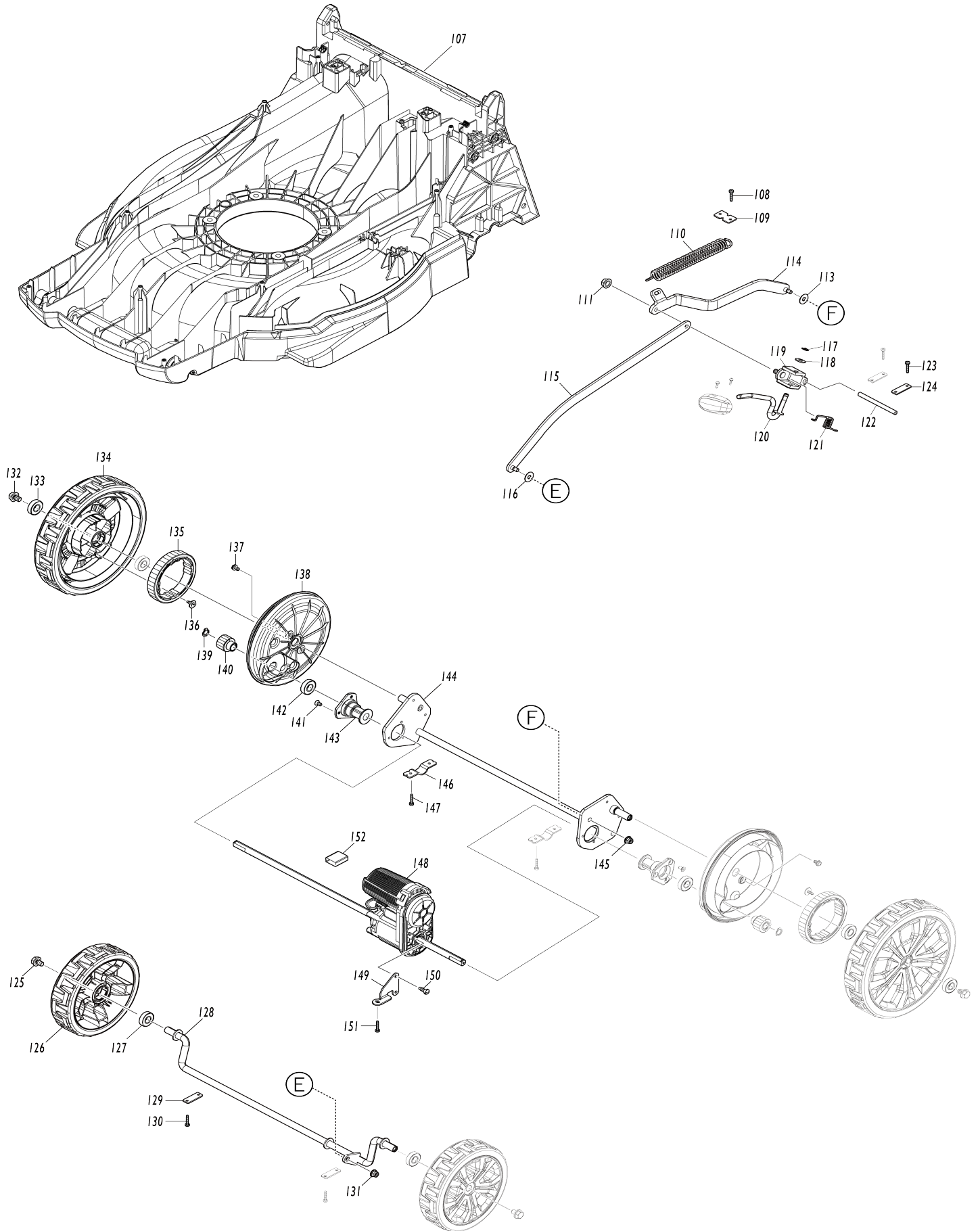
Model No.DLM481 480MM CORDLESS LAWN MOWER



Model No.DLM481 480MM CORDLESS LAWN MOWER



Model No.DLM481 480MM CORDLESS LAWN MOWER



Model No.DLM481 480MM CORDLESS LAWN MOWER

Obj. č.	Obj. č.	Popis	Možn ost zá měny	Množ ství	Nový/ Starý	Poznámka 1	Poznámka 2
001	327425-6	DRIVING LEVER		1		p	
002	911138-5	P.H.SCREW M4X20 WITH WR		1			
003	459858-8	DRIVING LEVER SUPPORT R		1		podp	
C10	931102-0	matka M4		1		matka M4	
004	253814-8	podložka 8=new267216-2		1			
005	265620-9	TAPPING SCREW FLANGE 4X18		1			
006	265620-9	TAPPING SCREW FLANGE 4X18		1			
007	253814-8	podložka 8=new267216-2		1			
008	413B10-4	DRIVING LEVER SUPPORT L		1		podp	
C10	931102-0	matka M4		1		matka M4	
009	268225-4	PIN 5		1			
010	911138-5	P.H.SCREW M4X20 WITH WR		1			
011	232566-4	TORSION SPRING 12		1		pru	
012	327424-8	SWITCH LEVER		1		p	
013	266424-2	TAPPING SCREW 4X20		7			
014	183V30-9	SWITCH BOX SET		1		vyp	
C10	8045G7-5	INDICATION LABEL		1			
014		INC. 23					
015	231227-3	COMPRESSION SPRING 15		1			
016	413A99-6	SWITCH LEVER SUPPORT R		1		podp	
C10	931102-0	matka M4		1		matka M4	
017	413B00-7	LOCK OFF BUTTON		1		tla	
018	911138-5	P.H.SCREW M4X20 WITH WR		1			
019	651083-9	SWITCH C3XA-1PSPM		1		vyp	
020	266424-2	TAPPING SCREW 4X20		2			
021	687123-7	spona kabelu MT601		1	*		
021-1	687124-5	držák kabelu	O	1		dr	
022	141H35-1	SWITCH CIRCUIT COMPLETE		1		sp	
C10	810D46-0	SWITCH LABEL		1			
023	183V30-9	SWITCH BOX SET		1		vyp	
C10	8045G7-5	INDICATION LABEL		1			
023		INC. 14					
024	413A98-8	DRIVING LEVER HOLDER		1		dr	
025	413A98-8	DRIVING LEVER HOLDER		1		dr	
026	266424-2	TAPPING SCREW 4X20		5			
027	183U35-3	LEVER BOX SET		1		pouzdro p	
027		INC. 38					
028	651083-9	SWITCH C3XA-1PSPM		1		vyp	
029	620415-1	SUB CONTROLLER		1		vnit	
030	266424-2	TAPPING SCREW 4X20		2			
031	687123-7	spona kabelu MT601		1	*		
031-1	687124-5	držák kabelu	O	1		dr	
032	413A95-4	LEVER BOX C		1		pouzdro p	
033	213A12-2	O-RING 18		1		o krou	
034	413B01-5	SPEED LEVER		1		p	
035	459863-5	SWITCH LEVER SUPPORT L		1		podp	
C10	931102-0	matka M4		1		matka M4	
036	232575-3	TORSION SPRING 12		1		pru	

037	911138-5	P.H.SCREW M4X20 WITH WR		1		
038	183U35-3	LEVER BOX SET		1		pouzdro p
038		INC. 27				
039	266424-2	TAPPING SCREW 4X20		5		
040	699184-5	POWER SUPPLY CORD UNIT		1		kabel
041	327871-3	HANDLE UPPER		1		
042	699185-3	POWER SUPPLY CORD UNIT		1		jednotka nap
043	265C08-1	FLAT HEAD BOLT M8X50		2		
044	265C06-5	THUMB NUT M8		2		matice
045	413944-9	CLAMP		2		
C10	931102-0	matka M4		2		matka M4
046	911163-6	PAN HEAD SCREW M4X35		2		
047	122A73-0	HANDLE LOWER ASSEMBLY		1		dr
047		INC. 48-52				
048	258004-8	SPRING PIN 2.5-16		2		
049	413943-1	KNOB		2		
050	327877-1	LOCK HOLDER		2		
051	234121-8	COMPRESSION SPRING 8		2		pru
052	327876-3	LOCK PIN		2		
053	265C07-3	HEX. BOLT M8		2		
054	141F56-1	BATTERY COVER COMPLETE		1	*	kryt baterie
C10	890380-0	CAUTION LABEL		1	*	
054-1	141H43-2	BATTERY COVER COMPLETE	O	1		
C11	8044A3-5	CAUTION LABEL	O	1		
055	231037-8	vinutá pružina 7		1		vinut
056	413B03-1	LOCK LEVER		1		zamykac
057	141J54-9	REAR FLAP COMPLETE		1	*	klapka
057		INC. 58			*	
057-1	141J55-7	REAR FLAP COMPLETE	O	1		
057-1		INC. 58				
058	8047H5-8	CAUTION LABEL		1	*	
058-1	8047H4-0	CAUTION LABEL	O	1		
061	232721-8	TORSION SPRING 8		1		
062	327874-7	ROD 6		1		
063	347867-8	HANDLE BRACKET R		1		dr
064	266553-1	TAPPING SCREW 5X30		6		
065	265C05-7	TAPPING SCREW FRANGE 5X20		2		
066	961018-5	zajišťovací kroužek E-5		2	*	zaji
066-1	259084-7	STOP RING (EXT) E-5	O	2		
067	347866-0	HANDLE BRACKET L		1		dr
068	266424-2	TAPPING SCREW 4X20		3		
069	183N35-1	TERMINAL HOUSING SET		1		kryt kontaktu
C10	263005-3	vymezovací čep 6		4		
069		INC. 71				
070	644809-6	TERMINAL		2		kontakt
071	183N35-1	TERMINAL HOUSING SET		1		kryt kontaktu
C10	263005-3	vymezovací čep 6		4		
071		INC. 69				
072	266424-2	TAPPING SCREW 4X20		3		
073	8114F4-1	DLM481 SERIAL NO. LABEL		1		
074	8114F1-7	DLM481 NAME PLATE		1		
075	266424-2	TAPPING SCREW 4X20		4		

076	413938-4	REAR GRIP		1		
077	266424-2	TAPPING SCREW 4X20		11		
078	141J45-0	COWLING COMPLETE		1		kryt
C10	422789-4	SPONGE SEAL		1		
C20	8031N0-1	INDICATION LABEL		2		
079	266424-2	TAPPING SCREW 4X20		2		
080	162993-0	HEIGHT ADJUST PLATE		1		
081	643535-4	KEY		1		kl
082	266816-5	+ PAN HEAD SCREW M3X12 WIT H WR		2	*	
082-1	265C97-6	+ PAN HEAD SCREW M3X12 WIT H WR	O	2		
083	413939-2	HEIGHT ADJUST LEVER GRIP		1		
084	266424-2	TAPPING SCREW 4X20		4		
085	687123-7	spona kabelu MT601		2		
086	687051-6	svorka kabelu - nahrazuje 26104 1		2		svorka kabelu - nahra zuje 261041
087	266424-2	TAPPING SCREW 4X20		1		
088	413B08-1	LEAD COVER		1		kryt
089	699182-9	POWER SUPPLY CORD UNIT		1		jednotka nap
090	413924-5	DECK REAR COVER		1		
091	266424-2	TAPPING SCREW 4X20		4		
092	620G77-7	CONTROLLER		1		ovl
093	266424-2	TAPPING SCREW 4X20		2		
094	266424-2	TAPPING SCREW 4X20		4		
095	413B05-7	MOTOR COVER		1		kryt
096	629A90-6	DC MOTOR		1		motor
097	141H61-0	MOTOR BRACKET COMPLETE		1		dr
098	922422-3	imbus M8x16		4		imbus M8x16
099	459853-8	BAFFLE PLATE		1		deska
100	266385-6	TAPPING SCREW 4X14		4		
101	265C22-7	H.S.H.BOLT M8X30 WITH WG		4		
102	240229-8	FAN 170		1		ventil
103	313393-9	BLADE SUPPORT 480		1		dr
104	266424-2	TAPPING SCREW 4X20		2		
105	191V97-3	BLADE 480 SET		1		
106	265A69-9	HEX. BOLT M10X35 WITH WG		1	*	
106-1	265D72-8	HEX. BOLT M10X35 WG	<	1		
107	413A61-1	DECK		1		deska
108	266424-2	TAPPING SCREW 4X20		2		
109	347870-9	HOOK PLATE		1		
110	232717-9	TENSION SPRING 17		1		
111	252301-4	HEX. FLANGE LOCK NUT M6-10		1		
112	8046H7-8	INDICATION LABEL		1		
113	253731-2	podložka 8 LC1230		1		podlo
114	347873-3	CONNECTING ROD R		1		spojovac
115	347872-5	CONNECTING ROD F		1		
116	253731-2	podložka 8 LC1230		1		podlo
117	961012-7	zajišťovací kroužek		1	*	
117-1	259085-5	STOP RING (EXT)E-6	O	1		
118	267281-1	podložka		1		podlo
119	313389-0	ROD HOLDER		1		

120	327872-1	HEIGHT ADJUST LEVER		1		
121	232715-3	TORSION SPRING 9		1		
122	327873-9	ROD 7		1		
123	266424-2	TAPPING SCREW 4X20		4		
124	347869-4	PLATE		2		
125	265324-3	šroub M8 LS1013		2		
126	141E34-5	TIRE 180 COMPLETE		2		
127	210163-6	BALL BEARING 6001DDW		2		lo
128	162991-4	FRONT SHAFT		1		
129	347869-4	PLATE		2		
130	266424-2	TAPPING SCREW 4X20		4		
131	252301-4	HEX. FLANGE LOCK NUT M6-10		1		
132	265324-3	šroub M8 LS1013		2		
133	210163-6	BALL BEARING 6001DDW		4		lo
134	141F63-4	TIRE 230 COMPLETE		2		pneumatiky 230
135	227913-2	SPUR GEAR 49		2		podp
136	265B00-1	TAPPING SCREW FLANGE 4X12		4		
137	911208-0	šroub M5x10		4		
138	413B06-5	WHEEL CAP		2		kryt kola
139	961052-5	segrovka vnější S-12		2		segrovka
140	227912-4	SPUR GEAR 11		2		podp
141	251951-2	šroub M5		6		
142	210163-6	BALL BEARING 6001DDW		2		lo
143	313390-5	REAR SHAFT HOLDER		2		
144	162992-2	REAR SHAFT		1		
145	252301-4	HEX. FLANGE LOCK NUT M6-10		1		
146	347865-2	CLAMP 19		2		
147	266553-1	TAPPING SCREW 5X30		4		
148	122B04-5	DRIVE UNIT		1		veden
149	347887-2	BRACKET		1		zar
150	266388-0	TAPPING SCREW 5X16		2		
151	266553-1	TAPPING SCREW 5X30		1		
152	683A20-1	POLYOLEFIN TUBE		1		pouzdro
153	162A29-1	GRASS CATCHER BRACKET		1	*	
153-1	162C44-7	GRASS CATCHER BRACKET	<	1		dr
154	162A28-3	GRASS CATCHER		1	*	
154-1	162C11-2	GRASS CATCHER	<	1		ko
158	911163-6	PAN HEAD SCREW M4X35		1		
159	413944-9	CLAMP		1		
C10	931102-0	matka M4		1		matka M4
A01	327589-6	ROD 6		1		
A02	413946-5	MULCHING PLUG 480		1		
A03	782210-8	klíč 17		1		
A04	***DC18SH	DC18SH TWO PORT CHAGER		1		
A04		COMPO-PARTS				
A05	197280-8	BATTERY BL1850B SET		2		
E01	688238-3	LINE FILTER		2		filtr
E02	688162-0	LINE FILTER		1		filtr UB1103
E03	688164-6	LINE FILTER		2		
E04	819V88-9	SOUND 95DB LABEL		1		
F01	191V97-3	BLADE 480 SET		1		

Prosím uveďte objednáací číslo dílu v objednávce

Datum tisku 21. 10. 2024