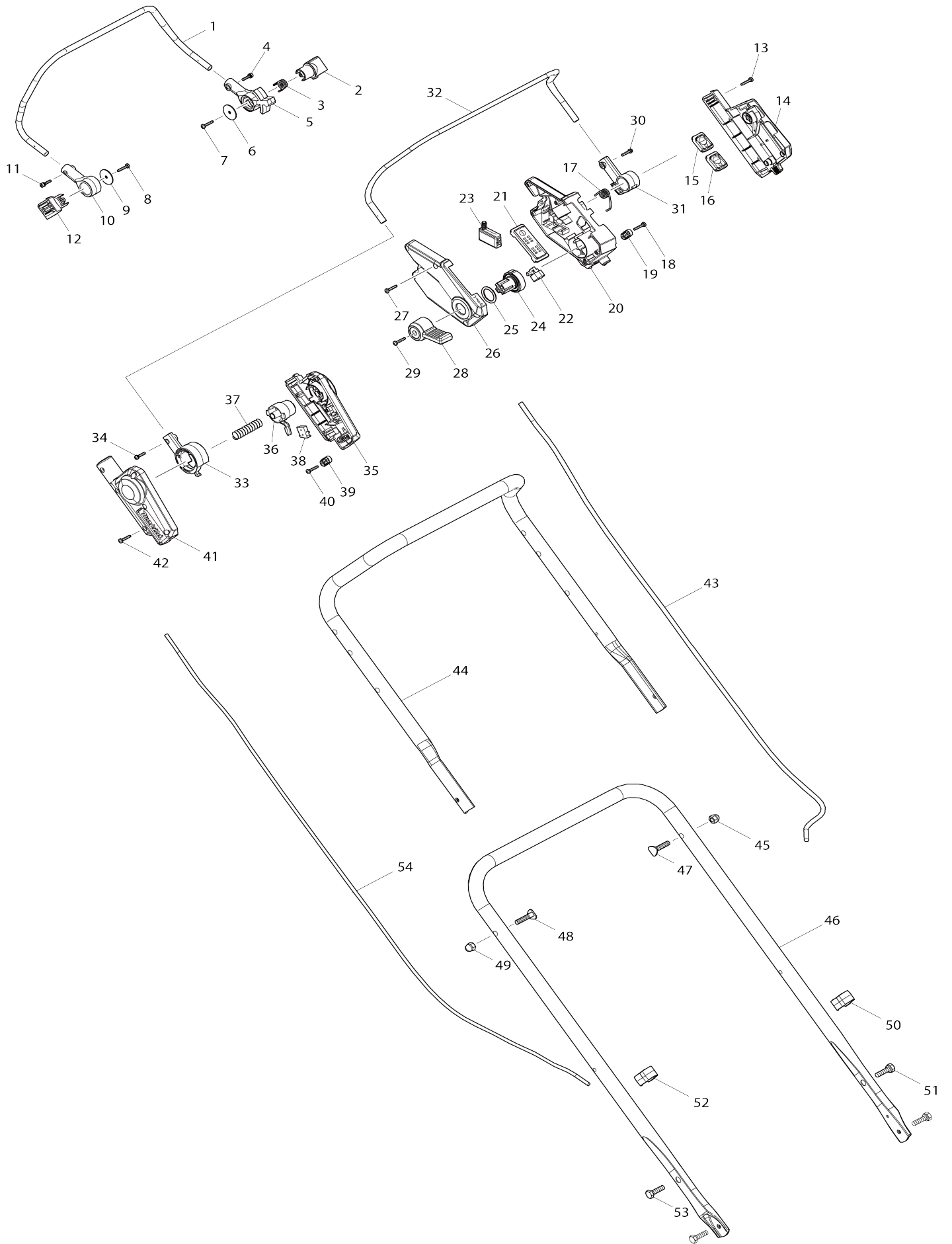
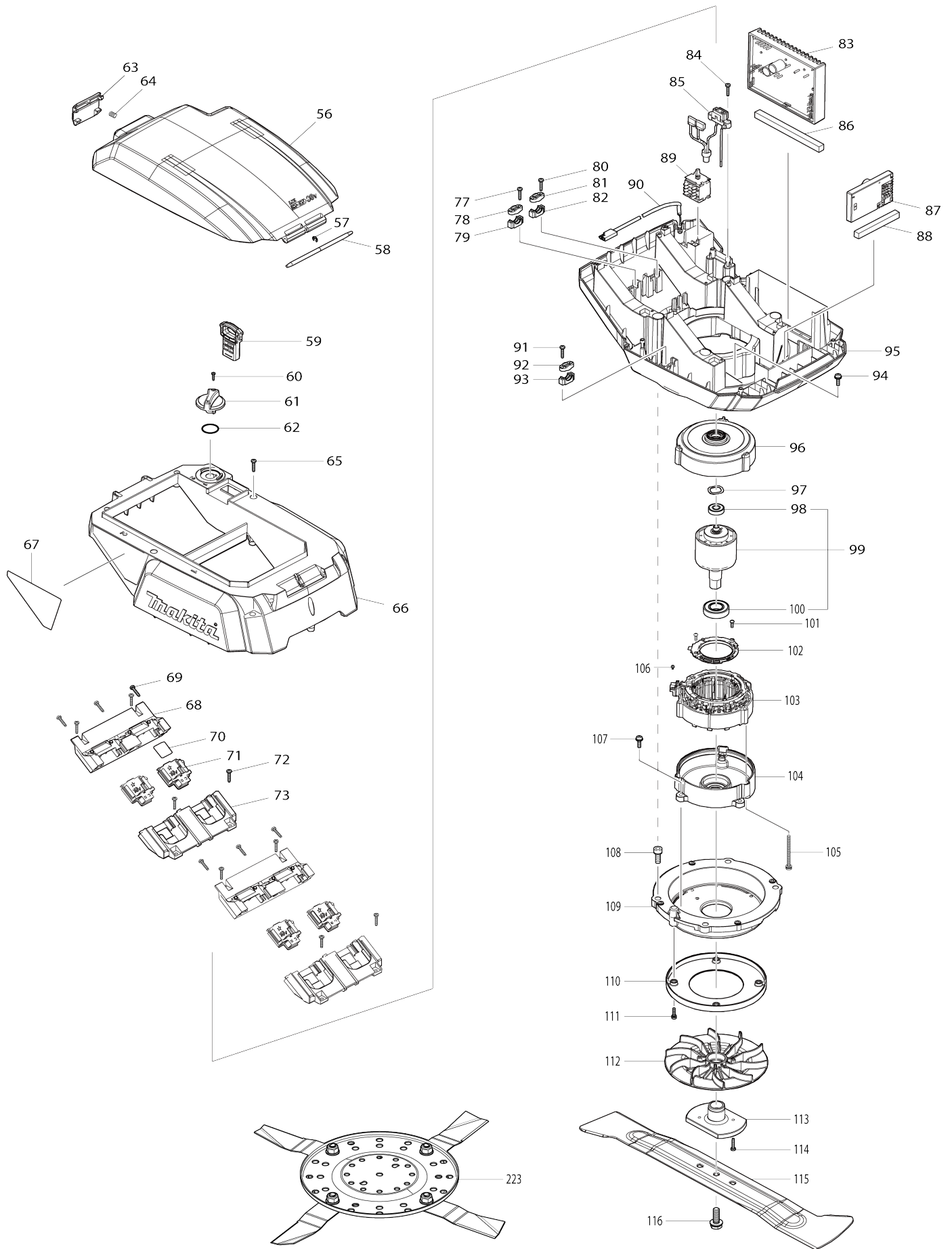


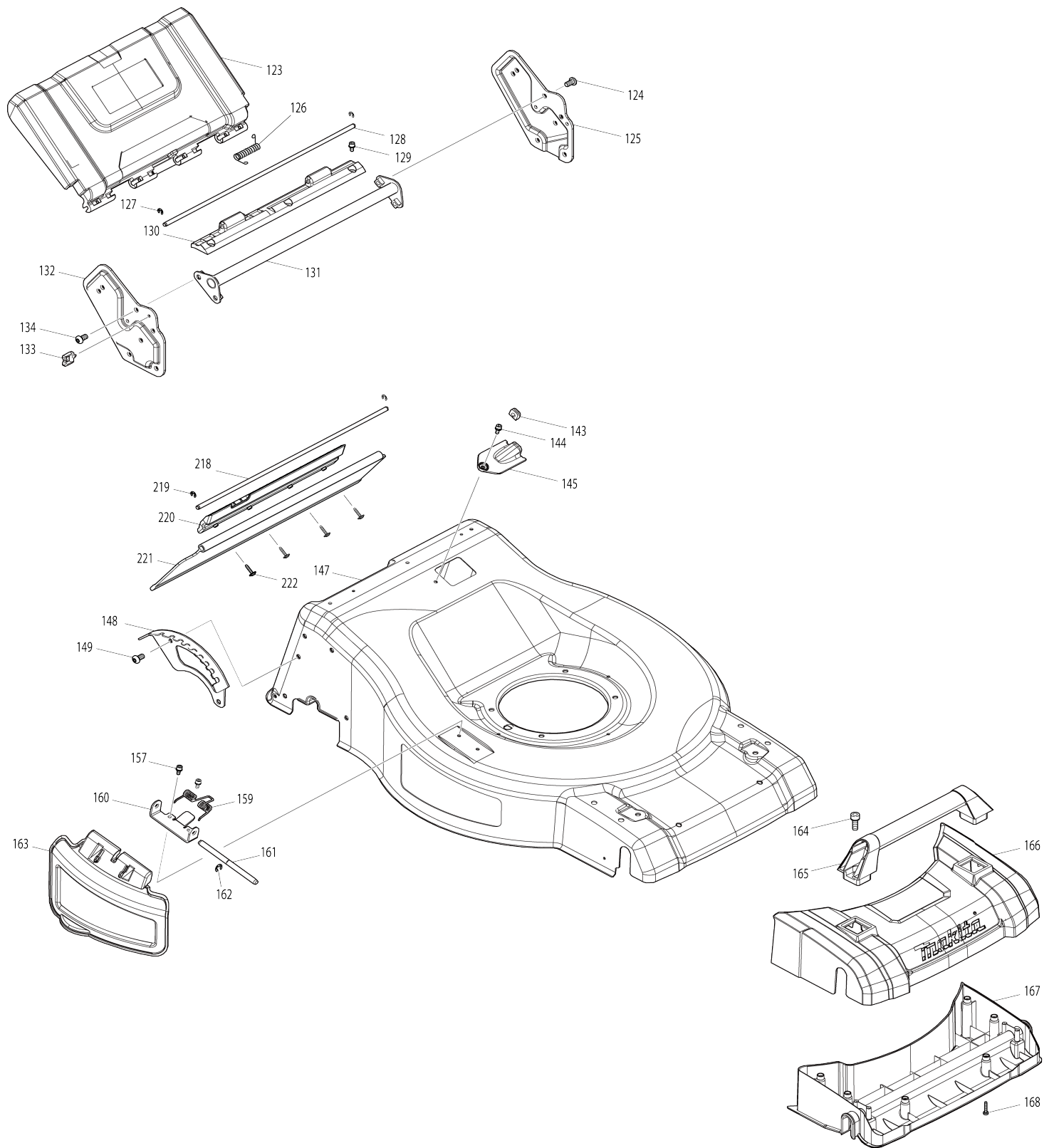
# Model No.DLM532 530MM CORDLESS LAWN MOWER



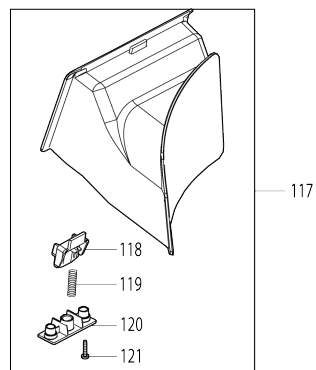
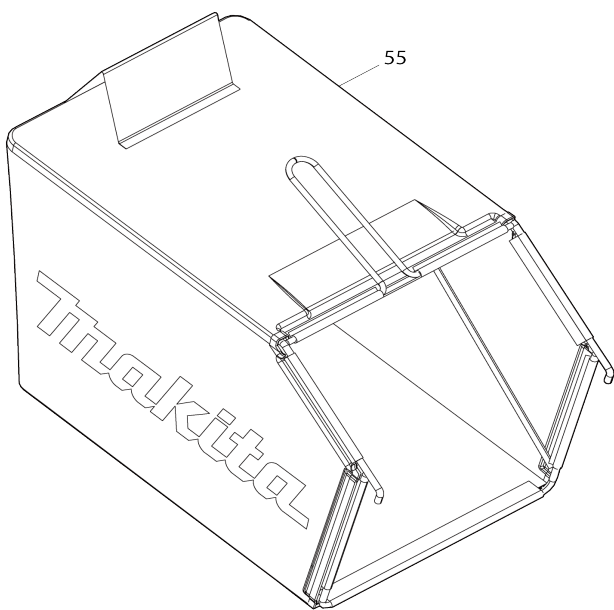
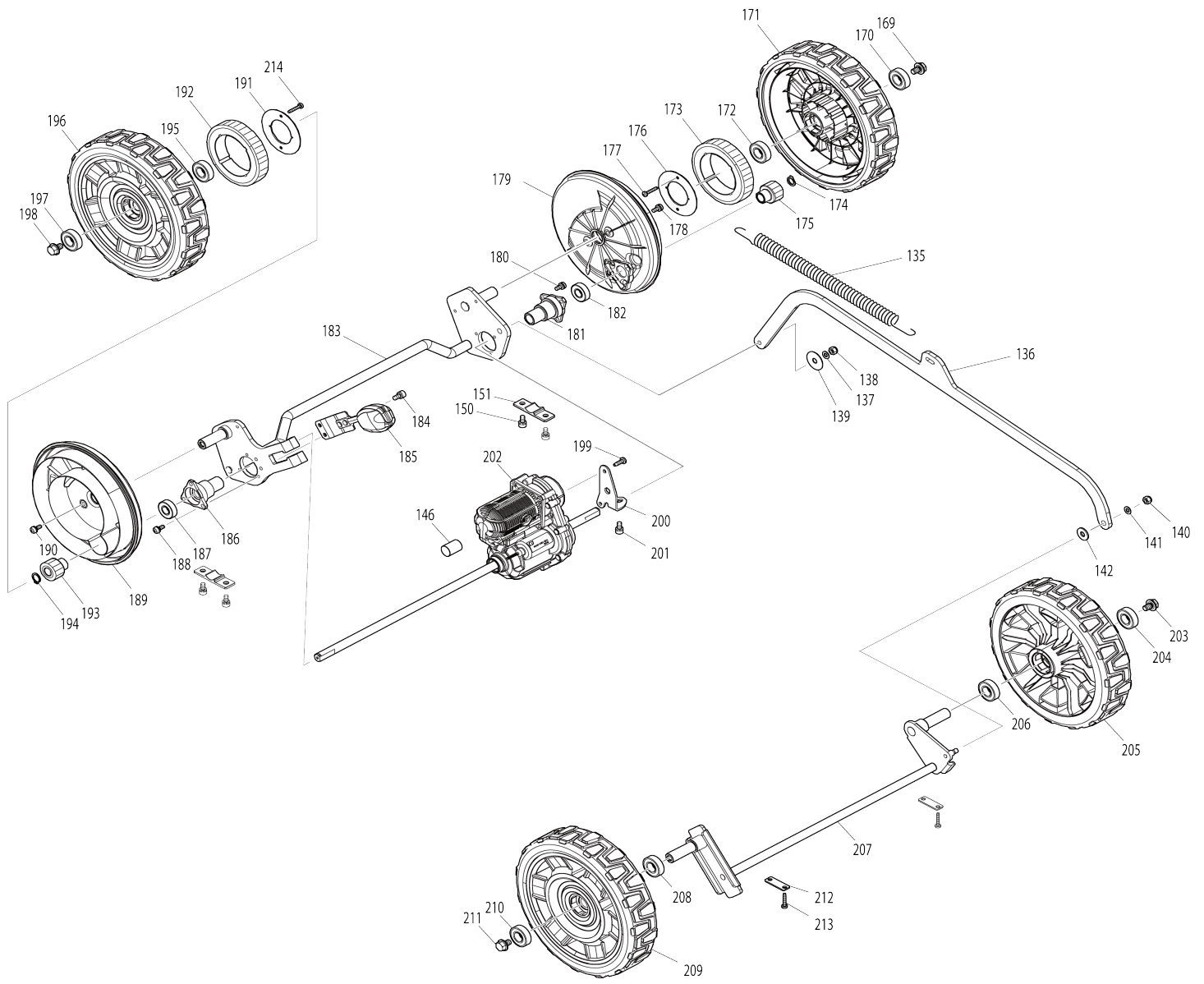
# Model No.DLM532 530MM CORDLESS LAWN MOWER



# Model No.DLM532 530MM CORDLESS LAWN MOWER



# Model No.DLM532 530MM CORDLESS LAWN MOWER



**Model No.DLM532 530MM CORDLESS LAWN MOWER**

Obj. č.	Obj. č.	Popis	Možnost záměny	Množství	Nový/Stary	Poznámka 1	Poznámka 2
001	327425-6	DRIVING LEVER		1		p	
002	459859-6	DRIVING LEVER HOLDER		1		dr	
003	232566-4	TORSION SPRING 12		1		pru	
004	911138-5	P.H.SCREW M4X20 WITH WR		1			
005	459864-3	DRIVING LEVER SUPPORT L		1		podp	
C10	931102-0	matka M4		1		matka M4	
006	267136-0	podložka 5		1		podlo	
007	266424-2	TAPPING SCREW 4X20		1			
008	266424-2	TAPPING SCREW 4X20		1			
009	267136-0	podložka 5		1		podlo	
010	459858-8	DRIVING LEVER SUPPORT R		1		podp	
C10	931102-0	matka M4		1		matka M4	
011	911138-5	P.H.SCREW M4X20 WITH WR		1			
012	459859-6	DRIVING LEVER HOLDER		1		dr	
013	266424-2	TAPPING SCREW 4X20		6			
014	183N90-3	SWITCH BOX SET		1		obal vyp	
014		INC. 26					
015	140F09-7	SWITCH CIRCUIT COMPLETE		1		okruh vyp	
C10	810D46-0	SWITCH LABEL		1			
016	140F10-2	SWITCH CIRCUIT COMPLETE		1		okruh vypina	
C10	818A74-1	SWITCH LABEL		1			
017	232575-3	TORSION SPRING 12		1		pru	
018	266424-2	TAPPING SCREW 4X20		2			
019	687124-5	držák kabelu		1		dr	
020	459860-1	SWITCH BOX		1		obal vyp	
021	620C48-0	INDICATION CIRCUIT COMPLETE		1		induk	
C10	8007C8-5	INDICATION LABEL		1			
022	620415-1	SUB CONTROLLER		1		vnit	
023	651083-9	SWITCH C3XA-1PSPM		1		vyp	
024	459866-9	SPEED LEVER HOLDER		1		p	
025	213897-0	O-RING 26		1		o krou	
026	183N90-3	SWITCH BOX SET		1		obal vyp	
026		INC. 14					
027	266424-2	TAPPING SCREW 4X20		5			
028	459865-1	SPEED LEVER		1		p	
029	266424-2	TAPPING SCREW 4X20		1			
030	911138-5	P.H.SCREW M4X20 WITH WR		1			
031	459863-5	SWITCH LEVER SUPPORT L		1		podp	
C10	931102-0	matka M4		1		matka M4	
032	327424-8	SWITCH LEVER		1		p	
033	459856-2	SWITCH LEVER SUPPORT R		1		podp	
C10	931102-0	matka M4		1		matka M4	
034	911138-5	P.H.SCREW M4X20 WITH WR		1			
035	183P40-0	LEVER BOX SET		1	*	obal vyp	
C10	8007C6-9	INDICATION LABEL		1	*		
035		INC. 41			*		
035-1	183X73-3	LEVER BOX SET	O	1		obal vyp	
C10	8007C6-9	INDICATION LABEL		1			

035-1		INC. 41				
036	459857-0	LOCK OFF BUTTON		1		vyp
037	231227-3	COMPRESSION SPRING 15		1		
038	632E26-0	SWITCH UNIT		1		vyp
039	687124-5	držák kabelu		1		dr
040	266424-2	TAPPING SCREW 4X20		2		
041	183P40-0	LEVER BOX SET		1	*	obal vyp
C10	8007C6-9	INDICATION LABEL		1	*	
041		INC. 35			*	
041-1	183X73-3	LEVER BOX SET	O	1		obal vyp
C10	8007C6-9	INDICATION LABEL		1		
041-1		INC. 35				
042	266424-2	TAPPING SCREW 4X20		6		
043	699143-9	POWER SUPPLY CORD UNIT		1		kabel
044	327421-4	HANDLE UPPER		1		dr
045	252278-3	HEX. CAP NUT M8		1		matka
046	327422-2	HANDLE LOWER		1		dr
047	265A62-3	FLAT HEAD BOLT M8X38		1		
048	265A62-3	FLAT HEAD BOLT M8X38		1		
049	252278-3	HEX. CAP NUT M8		1		matka
050	459905-5	CLAMP		1		spona
051	921451-3	šroub M8x30		2		
052	459905-5	CLAMP		1		spona
053	921451-3	šroub M8x30		2		
054	699142-1	POWER SUPPLY CORD UNIT		1		kabel
055	127412-3	GRASS CATCHER ASSEMBLY		1	*	
055-1	122B20-7	GRASS CATCHER ASSEMBLY	O	1		ko
C10	162976-0	GRASS CATCHER		1		
C20	327866-6	GRASS CATCHER BRACKET		1		r
056	140S03-7	BATTERY COVER COMPLETE		1		kryt bateie
C10	890380-0	CAUTION LABEL		1		
057	961018-5	zajišťovací kroužek E-5		1		zaji
058	327536-7	ROD 6		1		ty
059	643535-4	KEY		1		kl
060	266404-8	TAPPING SCREW BIND 3X14		1		
061	459851-2	SWITCH LEVER		1		p
062	213896-2	O-RING 24		1		o krou
063	459852-0	LOCK LEVER		1		p
064	231037-8	vinutá pružina 7		1		vinut
065	266424-2	TAPPING SCREW 4X20		7		
066	459847-3	COWLING UPPER		1		kryt
067	856R09-6	DLM532 NAME PLATE		1		
068	183N78-3	TERMINAL HOUSING SET		2		obal
C10	263005-3	vymezovací čep 6		8		
068		INC. 73				
069	266424-2	TAPPING SCREW 4X20		6		
070	856R18-5	DLM532 SERIAL NO. LABEL		1		
071	644809-6	TERMINAL		4		kontakt
072	266424-2	TAPPING SCREW 4X20		8		
073	183N78-3	TERMINAL HOUSING SET		2		obal
C10	263005-3	vymezovací čep 6		8		
073		INC. 68				

077	266424-2	TAPPING SCREW 4X20		2		
078	687124-5	držák kabelu		1		dr
079	687051-6	svorka kabelu - nahrazuje 261041		1		svorka kabelu - nahrazuje 261041
080	266424-2	TAPPING SCREW 4X20		2		
081	687124-5	držák kabelu		1		dr
082	687051-6	svorka kabelu - nahrazuje 261041		1		svorka kabelu - nahrazuje 261041
083	620C45-6	CONTROLLER		1		ovl
084	266424-2	TAPPING SCREW 4X20		2		
085	632P74-5	LEAD UNIT		1		okruh
086	422529-0	SPONGE B		1		p
087	620C47-2	CONTROLLER		1		ovl
088	422528-2	SPONGE A		1		p
089	651444-3	SWITCH 1703.4703		1		vyp
090	699145-5	POWER SUPPLY CORD UNIT		1		kabel
091	266424-2	TAPPING SCREW 4X20		2		
092	687124-5	držák kabelu		1		dr
093	687051-6	svorka kabelu - nahrazuje 261041		1		svorka kabelu - nahrazuje 261041
094	911233-1	šroub M5x20		4		
095	459848-1	COWLING LOWER		1		kryt
096	319869-4	MOTOR HOUSING UPPER		1		obal motoru
097	253455-0	WAVE WASHER 19		1		podlo
098	210141-6	BALL BEARING 6000DDW		1		lo
099	519606-8	ROTOR ASS'Y		1		rotor
099		INC. 98,100				
100	211387-7	BALL BEARING 6004LLU		1		
101	265B29-7	TAPPING SCREW PT 2X8		2		
102	620B88-2	CONTROLLER B		1		ovl
103	629465-3	STATOR		1		stator
104	319870-9	MOTOR HOUSING LOWER		1		obal motoru
105	911691-1	šroub 5x70		3		
106	652031-1	PAN HEAD SCREW M3X6		3		
107	911233-1	šroub M5x20		4		
108	922441-9	HEX. SOCKET HEAD BOLT M8X25		4		
109	319867-8	MOTOR BRACKET		1		konzola motoru
110	459853-8	BAFFLE PLATE		1		deska
111	911126-2	šroub M4x16		4		
112	240205-2	FAN 170		1		v
113	319868-6	BLADE SUPPORT		1		dr
114	266424-2	TAPPING SCREW 4X20		2		
115	191D52-7	BLADE 530 SET		1	*	
115-1	191W87-2	BLADE 530 SET	O	1		
115-1	191Y65-4	BLADE 530 SET		1		
116	265A69-9	HEX. BOLT M10X35 WITH WG		1	*	
116-1	265D72-8	HEX. BOLT M10X35 WG	<	1		
117	127516-1	MULCHING PLUG ASSEMBLY		1		mul
117		INC. 118-121				
118	459884-7	LOCK LEVER		1		
119	231401-3	vinutá pružina 7		1		vinut
120	459885-5	LOCK LEVER SUPPORT		1		

121	266424-2	TAPPING SCREW 4X20		2		
123	140R96-8	REAR FLAP COMPLETE		1		zadn
C10	8007P8-6	CAUTION LABEL		1		
124	265B20-5	HEX.SOCKETS BUTTON HEAD BOL T M8		4		
125	347579-3	HANDLE BRACKET L		1		dr
126	233597-6	TORSION SPRING 8		1		pru
127	961018-5	zajišťovací kroužek E-5		2		zaji
128	327418-3	ROD 6		1		ty
129	922213-2	H.S.H.BOLT M5X12 WITH WR		3		
130	459877-4	REAR FLAP HOLDER PLATE		1		dr
131	162692-4	REAR GRIP		1		dr
132	347578-5	HANDLE BRACKET R		1		dr
133	451825-9	CLAMP		1		
134	265B20-5	HEX.SOCKETS BUTTON HEAD BOL T M8		4		
135	232628-8	TENSION SPRING 16		1		pru
136	347580-8	CONNECTING ROD		1		ty
137	941151-9	podložka 6 = old 253047-5		1		podlo
138	252014-7	samojistící matice M6		1		samojist
139	267216-2	podložka 8 BO3700=old253814- 8		1		podlo
140	252014-7	samojistící matice M6		1		samojist
141	941151-9	podložka 6 = old 253047-5		1		podlo
142	253762-1	Scheibe 8		1		podlo
143	422526-6	GROMMET		1		pr
144	922213-2	H.S.H.BOLT M5X12 WITH WR		1		
145	459880-5	LEAD COVER		1		pouzdro
146	683A20-1	POLYOLEFIN TUBE		1		pouzdro
147	347559-9	DECK		1		kryt
148	347582-4	HEIGHT ADJUST PLATE		1		nastaven
149	265B20-5	HEX.SOCKETS BUTTON HEAD BOL T M8		2		
150	922311-2	HEX. SOCKET HEAD BOLT M6X12		4		
151	313290-9	REAR SHAFT HOLDER COVER		2		zadn
157	922213-2	H.S.H.BOLT M5X12 WITH WR		2		
159	232567-2	TORSION SPRING 9		1		pru
160	347584-0	SIDE DISCHARGE PLATE		1		deska
161	327420-6	ROD 8		1		ty
162	961013-5	zajišťovací kroužek		1		zaji
163	459886-3	SIDE DISCHARGE COVER		1		kryt
164	922441-9	HEX. SOCKET HEAD BOLT M8X25		2		
165	459870-8	FRONT GRIP		1		p
166	459871-6	FRONT COVER		1		p
167	459872-4	DECK UNDER COVER		1		zadn
168	266424-2	TAPPING SCREW 4X20		6		
169	265324-3	šroub M8 LS1013		1		
170	211247-3	BALL BEARING 6002DDW		1		
171	127513-7	REAR WHEEL ASSEMBLY		1		kolo
172	211247-3	BALL BEARING 6002DDW		1		
173	226941-4	SPUR GEAR 49		1		vzp
174	961052-5	segrovka vnější S-12		1		segrovka
175	226940-6	SPUR GEAR 12		1		vzp



176	347586-6	GEAR HOLDER PLATE		1		deska	
177	266424-2	TAPPING SCREW 4X20		2			
178	911213-7	šroub M5x12		2			
179	459867-7	WHEEL CAP		1		v	
180	911213-7	šroub M5x12		3			
181	327426-4	REAR SHAFT HOLDER		1		zadn	
182	210163-6	BALL BEARING 6001DDW		1		lo	
183	162689-3	REAR SHAFT		1		zadn	
184	922311-2	HEX. SOCKET HEAD BOLT M6X12		2			
185	162694-0	HEIGHT ADJUST LEVER COMPLETE		1		nasteven	
186	327426-4	REAR SHAFT HOLDER		1	*	zadn	
186-1	313369-6	REAR SHAFT HOLDER R	S	1			
187	210163-6	BALL BEARING 6001DDW		1		lo	
188	911213-7	šroub M5x12		3			
189	459867-7	WHEEL CAP		1		v	
190	911213-7	šroub M5x12		2			
191	347586-6	GEAR HOLDER PLATE		1		deska	
192	226941-4	SPUR GEAR 49		1		vzp	
193	226940-6	SPUR GEAR 12		1		vzp	
194	961052-5	segrovka vnější S-12		1		segrovka	
195	211247-3	BALL BEARING 6002DDW		1			
196	127513-7	REAR WHEEL ASSEMBLY		1		kolo	
197	211247-3	BALL BEARING 6002DDW		1			
198	265324-3	šroub M8 LS1013		1			
199	266388-0	TAPPING SCREW 5X16		2			
200	347585-8	BRACKET		1		konzola	
201	922311-2	HEX. SOCKET HEAD BOLT M6X12		1			
202	127510-3	DRIVE UNIT ASSEMBLY		1		veden	
203	265324-3	šroub M8 LS1013		1			
204	211247-3	BALL BEARING 6002DDW		1			
205	127514-5	FRONT WHEEL ASSEMBLY		1		zadn	
206	211247-3	BALL BEARING 6002DDW		1			
207	162688-5	FRONT SHAFT		1		p	
208	211247-3	BALL BEARING 6002DDW		1			
209	127514-5	FRONT WHEEL ASSEMBLY		1		zadn	
210	211247-3	BALL BEARING 6002DDW		1			
211	265324-3	šroub M8 LS1013		1			
212	341462-6	držák ložiska= old 098029, old 09609		2		dr	
213	266424-2	TAPPING SCREW 4X20		4			
214	266424-2	TAPPING SCREW 4X20		2			
224	961059-1	RETAINING RING (EXT) S-19	S	1			
A01	327589-6	ROD 6		1			
A02	782210-8	klíč 17		1			
A03	782212-4	klíč 13		1		kl	
A04	459887-1	SIDE DISCHARGE MOUTH		1			
A05	***DC18RD	DC18RD TWO PORT FAST CHARGER		1			
A05		COMPO-PARTS					
A06	197280-8	BATTERY BL1850B SET		4			
E01	8018P2-7	SOUND 93DB LABEL		1	*		

E01-1	800A17-7	SOUND 94DB LABEL	<	1	*		
E01-2	819V88-9	SOUND 95DB LABEL	<	1			
F01	191D48-8	SWING BACK BLADE 530 SET		1			
F02	191D50-1	SWING BACK BLADE 530 CPL. SET		1			
F03	191D52-7	BLADE 530 SET		1			

Prosím uveďte objednávací číslo dílu v objednávce

Datum tisku 22. 10. 2024