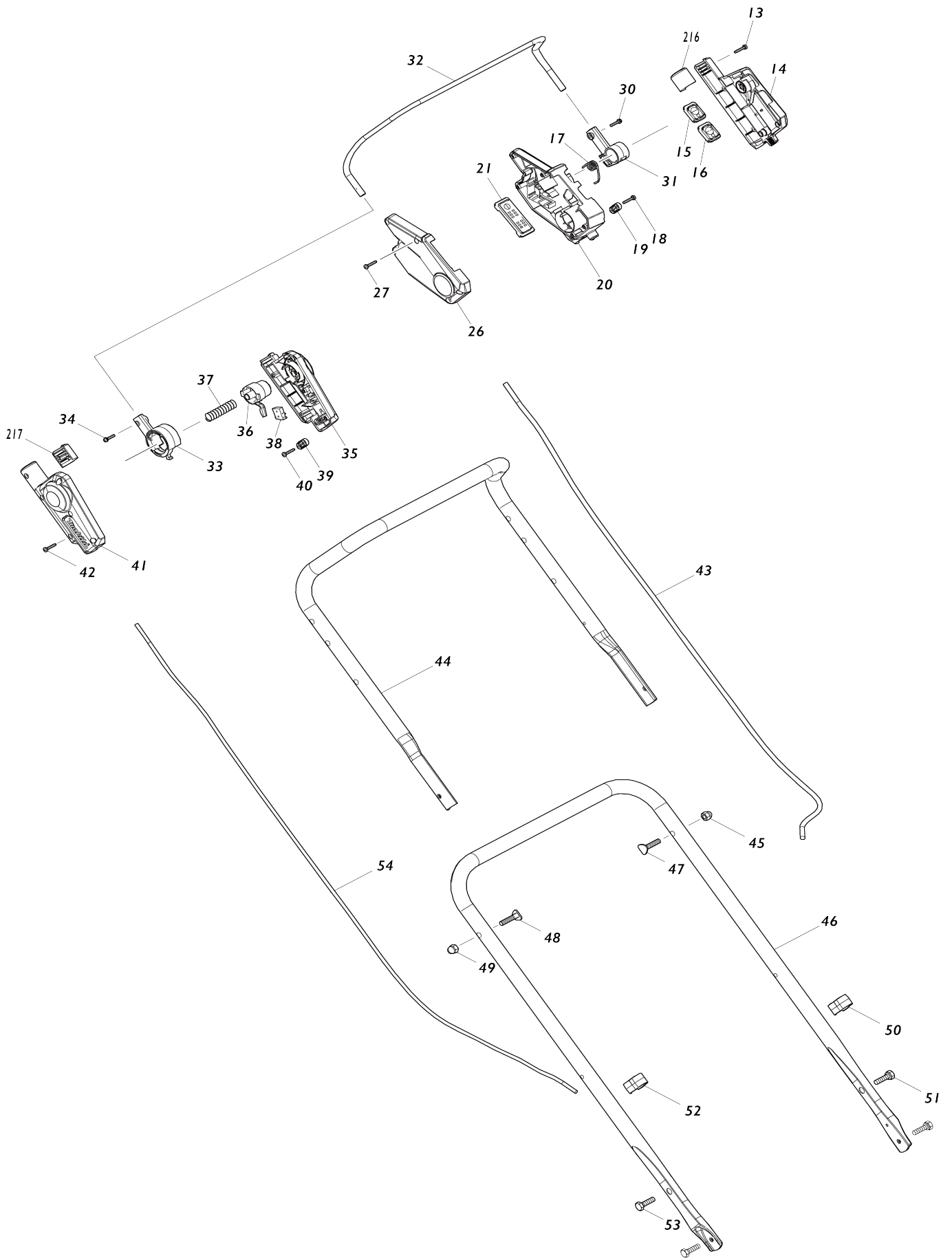
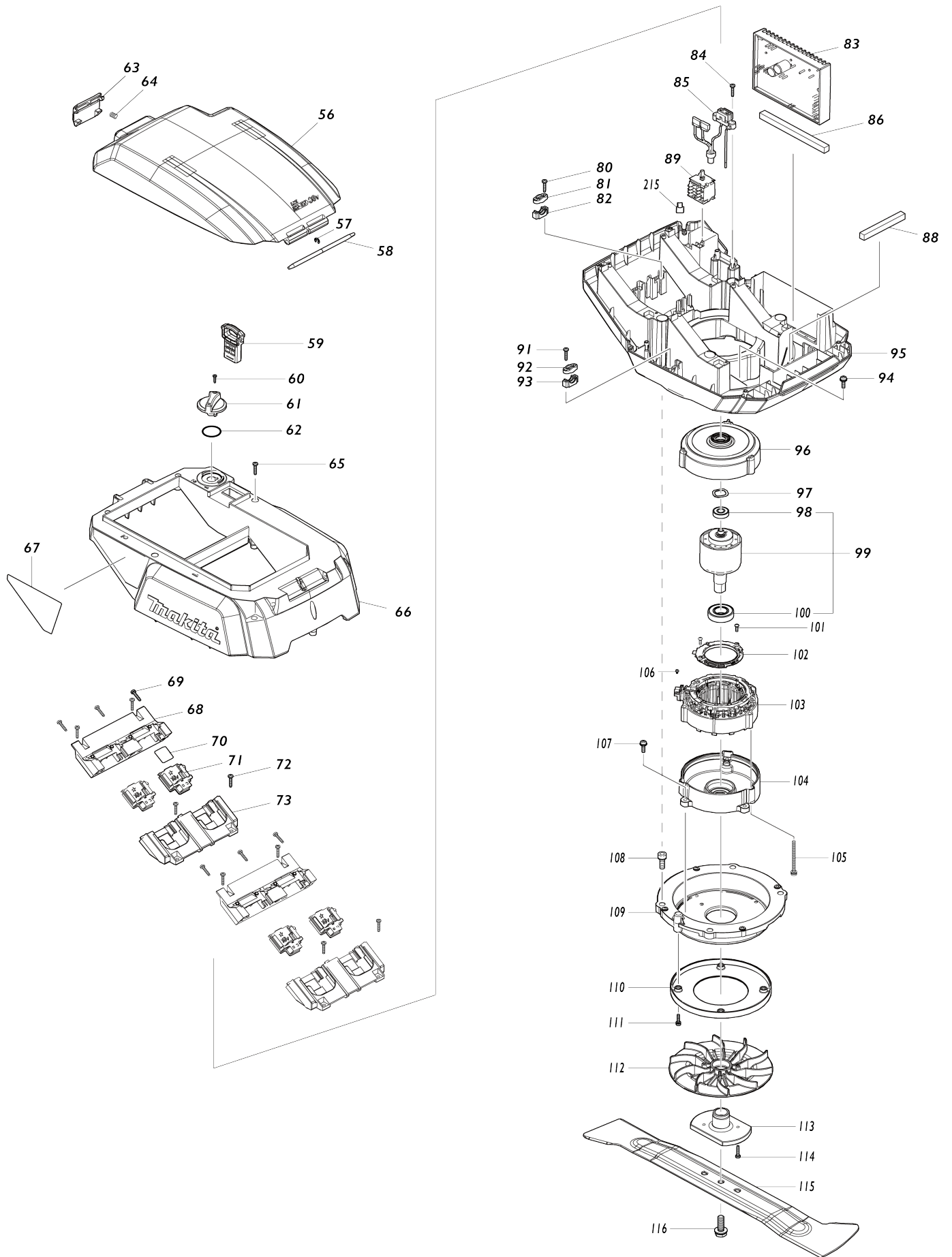


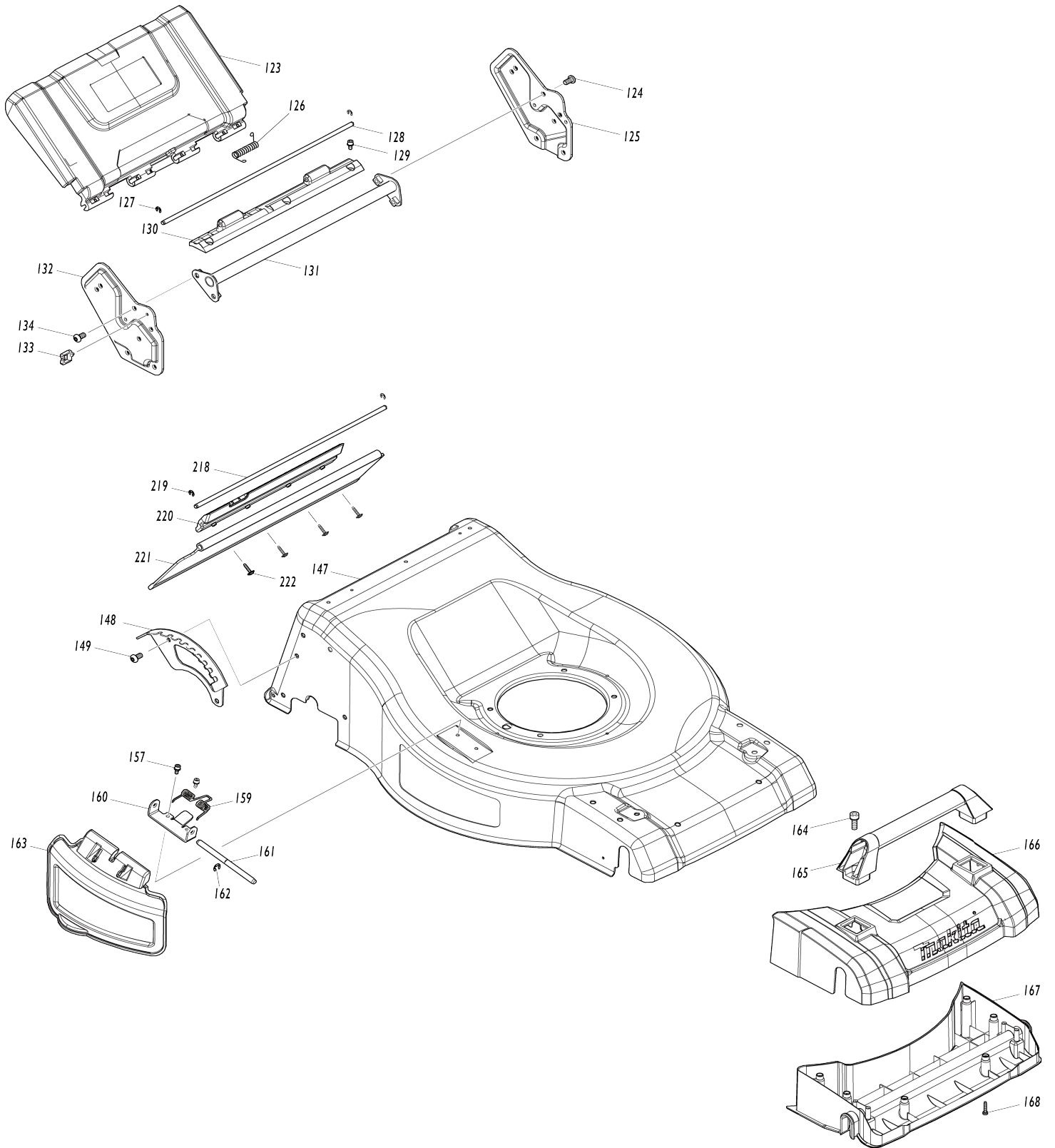
# Model No.DLM534 530MM CORDLESS LAWN MOWER



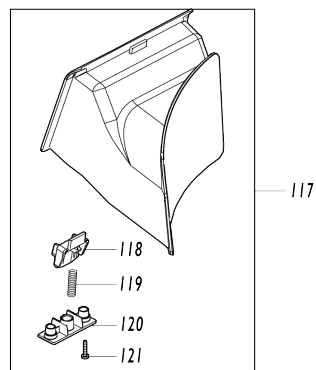
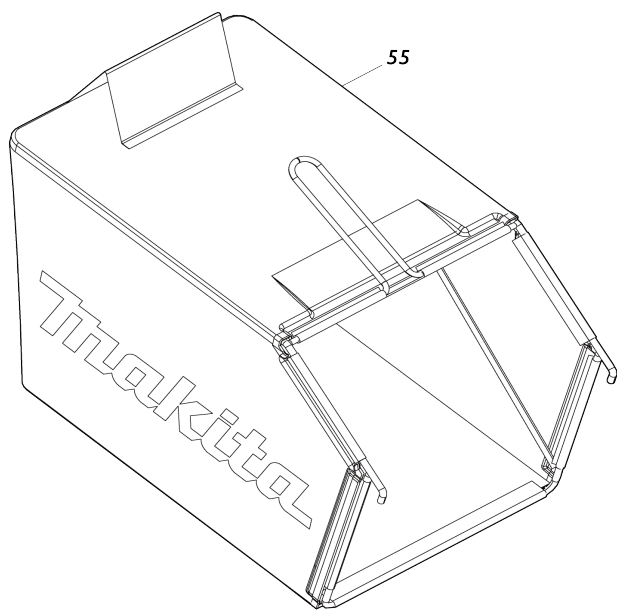
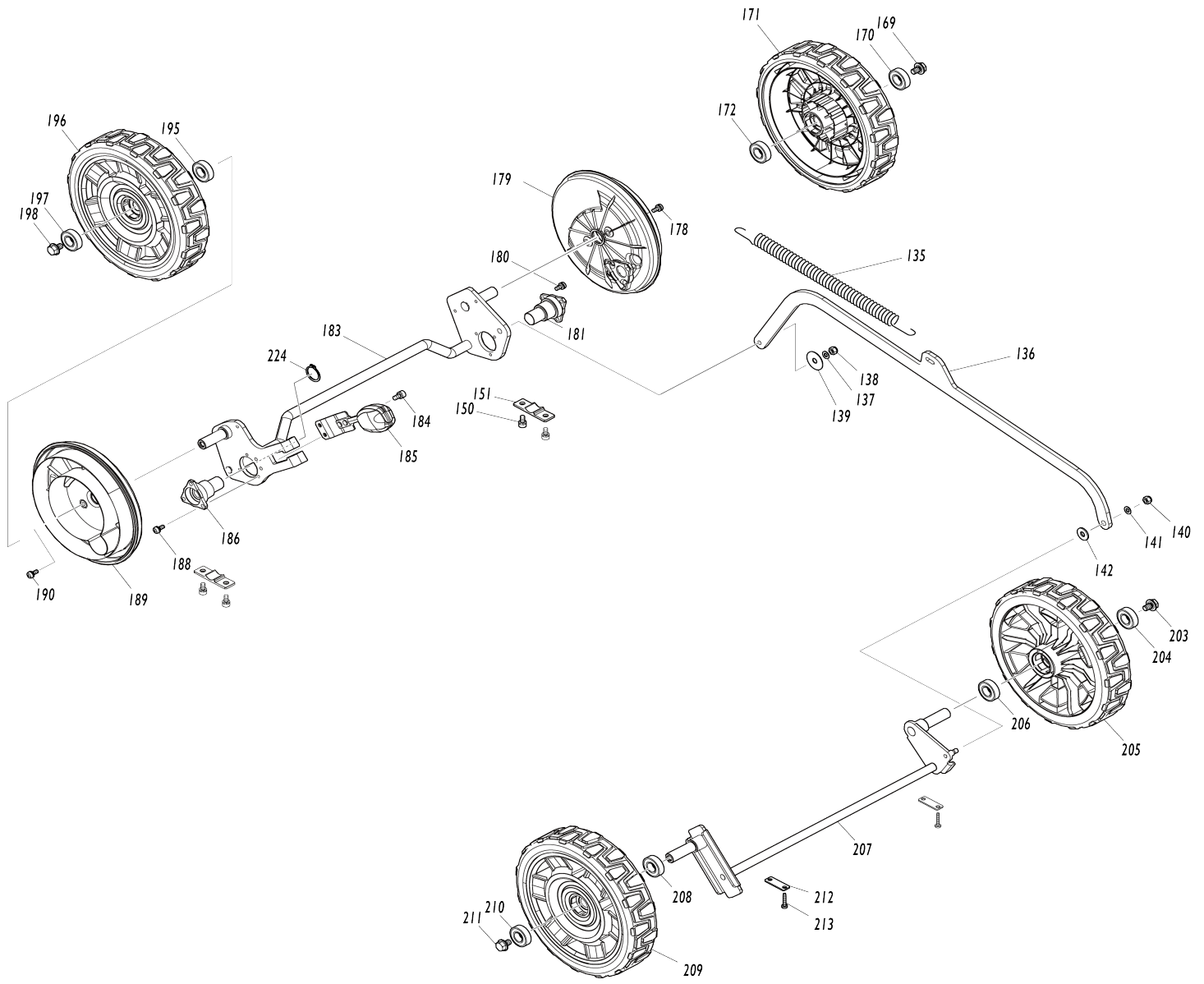
# Model No.DLM534 530MM CORDLESS LAWN MOWER



# Model No.DLM534 530MM CORDLESS LAWN MOWER



# Model No.DLM534 530MM CORDLESS LAWN MOWER



**Model No.DLM534 530MM CORDLESS LAWN MOWER**

Obj. č.	Obj. č.	Popis	Možn ost zá měny	Množ ství	Nový/ Starý	Poznámka 1	Poznámka 2
013	266424-2	TAPPING SCREW 4X20		6			
014	183N81-4	SWITCH BOX SET		1		obal vyp	
014		INC. 26					
015	140F09-7	SWITCH CIRCUIT COMPLETE		1		okruh vyp	
C10	810D46-0	SWITCH LABEL		1			
016	140F10-2	SWITCH CIRCUIT COMPLETE		1		okruh vypina	
C10	818A74-1	SWITCH LABEL		1			
017	232575-3	TORSION SPRING 12		1		pru	
018	266424-2	TAPPING SCREW 4X20		2			
019	687124-5	držák kabelu		1		dr	
020	459908-9	SWITCH BOX		1		obal vyp	
021	620C48-0	INDICATION CIRCUIT COMPLETE		1		induk	
C10	8007C8-5	INDICATION LABEL		1			
026	183N81-4	SWITCH BOX SET		1		obal vyp	
026		INC. 14					
027	266424-2	TAPPING SCREW 4X20		5			
030	911138-5	P.H.SCREW M4X20 WITH WR		1			
031	459863-5	SWITCH LEVER SUPPORT L		1		podp	
C10	931102-0	matka M4		1		matka M4	
032	327424-8	SWITCH LEVER		1		p	
033	459856-2	SWITCH LEVER SUPPORT R		1		podp	
C10	931102-0	matka M4		1		matka M4	
034	911138-5	P.H.SCREW M4X20 WITH WR		1			
035	183P40-0	LEVER BOX SET		1	*	obal vyp	
C10	8007C6-9	INDICATION LABEL		1	*		
035		INC. 41			*		
035-1	183X73-3	LEVER BOX SET	O	1		obal vyp	
C10	8007C6-9	INDICATION LABEL		1			
035-1		INC. 41					
036	459857-0	LOCK OFF BUTTON		1		vyp	
037	231227-3	COMPRESSION SPRING 15		1			
038	632E26-0	SWITCH UNIT		1		vyp	
039	687124-5	držák kabelu		1		dr	
040	266424-2	TAPPING SCREW 4X20		2			
041	183P40-0	LEVER BOX SET		1	*	obal vyp	
C10	8007C6-9	INDICATION LABEL		1	*		
041		INC. 35			*		
041-1	183X73-3	LEVER BOX SET	O	1		obal vyp	
C10	8007C6-9	INDICATION LABEL		1			
041-1		INC. 35					
042	266424-2	TAPPING SCREW 4X20		6			
043	699144-7	POWER SUPPLY CORD UNIT		1		kabel	
044	327421-4	HANDLE UPPER		1		dr	
045	252278-3	HEX. CAP NUT M8		1		matka	
046	327422-2	HANDLE LOWER		1		dr	
047	265A62-3	FLAT HEAD BOLT M8X38		1			
048	265A62-3	FLAT HEAD BOLT M8X38		1			
049	252278-3	HEX. CAP NUT M8		1		matka	

050	459905-5	CLAMP		1		spona	
051	921451-3	šroub M8x30		2			
052	459905-5	CLAMP		1		spona	
053	921451-3	šroub M8x30		2			
054	699142-1	POWER SUPPLY CORD UNIT		1		kabel	
055	122B20-7	GRASS CATCHER ASSEMBLY		1		ko	
C10	162976-0	GRASS CATCHER		1			
C20	327866-6	GRASS CATCHER BRACKET		1		r	
056	140S03-7	BATTERY COVER COMPLETE		1	*	kryt bateie	
C10	890380-0	CAUTION LABEL		1	*		
056-1	1410K6-7	BATTERY COVER COMPLETE	O	1			
C10	8044A3-5	CAUTION LABEL		1			
057	961018-5	zajišťovací kroužek E-5		1		zaji	
058	327536-7	ROD 6		1		ty	
059	643535-4	KEY		1		kl	
060	266404-8	TAPPING SCREW BIND 3X14		1			
061	459851-2	SWITCH LEVER		1		p	
062	213896-2	O-RING 24		1		o krou	
063	459852-0	LOCK LEVER		1		p	
064	231037-8	vinutá pružina 7		1		vinut	
065	266424-2	TAPPING SCREW 4X20		7			
066	459847-3	COWLING UPPER		1		kryt	
067	8119L3-5	DLM534 NAME PLATE		1			
068	183N78-3	TERMINAL HOUSING SET		2		obal	
C10	263005-3	vymezovací čep 6		8			
068		INC. 73					
069	266424-2	TAPPING SCREW 4X20		6			
070	8119L4-3	DLM534 SERIAL NO. LABEL		1			
071	644809-6	TERMINAL		4		kontakt	
072	266424-2	TAPPING SCREW 4X20		8			
073	183N78-3	TERMINAL HOUSING SET		2		obal	
C10	263005-3	vymezovací čep 6		8			
073		INC. 68					
080	266424-2	TAPPING SCREW 4X20		2			
081	687124-5	držák kabelu		1		dr	
082	687051-6	svorka kabelu - nahrazuje 261041		1		svorka kabelu - nahrazuje 261041	
083	620E94-5	CONTROLLER		1			
084	266424-2	TAPPING SCREW 4X20		2			
085	632P74-5	LEAD UNIT		1		okruh	
086	422529-0	SPONGE B		1		p	
088	422528-2	SPONGE A		1		p	
089	651444-3	SWITCH 1703.4703		1		vyp	
091	266424-2	TAPPING SCREW 4X20		2			
092	687124-5	držák kabelu		1		dr	
093	687051-6	svorka kabelu - nahrazuje 261041		1		svorka kabelu - nahrazuje 261041	
094	911233-1	šroub M5x20		4			
095	459848-1	COWLING LOWER		1		kryt	
096	319869-4	MOTOR HOUSING UPPER		1		obal motoru	
097	253455-0	WAVE WASHER 19		1		podlo	
098	210141-6	BALL BEARING 6000DDW		1		lo	

099	519606-8	ROTOR ASSY		1		rotor	
099		INC. 98,100					
100	211387-7	BALL BEARING 6004LLU		1			
101	265B29-7	TAPPING SCREW PT 2X8		2			
102	620B88-2	CONTROLLER B		1		ovl	
103	629465-3	STATOR		1		stator	
104	319870-9	MOTOR HOUSING LOWER		1		obal motoru	
105	911691-1	šroub 5x70		3			
106	652031-1	PAN HEAD SCREW M3X6		3			
107	911233-1	šroub M5x20		4			
108	922441-9	HEX. SOCKET HEAD BOLT M8X25		4			
109	319867-8	MOTOR BRACKET		1		konzola motoru	
110	459853-8	BAFFLE PLATE		1		deska	
111	911126-2	šroub M4x16		4			
112	240205-2	FAN 170		1		v	
113	319868-6	BLADE SUPPORT		1		dr	
114	266424-2	TAPPING SCREW 4X20		2			
115	191W87-2	BLADE 530 SET		1			
116	265A69-9	HEX. BOLT M10X35 WITH WG		1	*		
116-1	265D72-8	HEX. BOLT M10X35 WG	<	1			
117	127516-1	MULCHING PLUG ASSEMBLY		1		mul	
117		INC. 118-121					
118	459884-7	LOCK LEVER		1			
119	231401-3	vinutá pružina 7		1		vinut	
120	459885-5	LOCK LEVER SUPPORT		1			
121	266424-2	TAPPING SCREW 4X20		2			
123	140R96-8	REAR FLAP COMPLETE		1	*	zadn	
C10	8007P8-6	CAUTION LABEL		1	*		
123-1	1410K8-3	REAR FLAP COMPLETE	O	1			
C10	8076C7-2	CAUTION LABEL		1			
124	265B20-5	HEX.SOCKET BUTTON HEAD BOLT M8		4			
125	347579-3	HANDLE BRACKET L		1		dr	
126	233597-6	TORSION SPRING 8		1		pru	
127	961018-5	zajišťovací kroužek E-5		2		zaji	
128	327418-3	ROD 6		1		ty	
129	922213-2	H.S.H.BOLT M5X12 WITH WR		3			
130	459877-4	REAR FLAP HOLDER PLATE		1		dr	
131	162692-4	REAR GRIP		1		dr	
132	347578-5	HANDLE BRACKET R		1		dr	
133	451825-9	CLAMP		1			
134	265B20-5	HEX.SOCKET BUTTON HEAD BOLT M8		4			
135	232628-8	TENSION SPRING 16		1		pru	
136	347580-8	CONNECTING ROD		1		ty	
137	941151-9	podložka 6 = old 253047-5		1		podlo	
138	252014-7	samojistící matice M6		1		samojist	
139	267216-2	podložka 8 BO3700=old253814-8		1		podlo	
140	252014-7	samojistící matice M6		1		samojist	
141	941151-9	podložka 6 = old 253047-5		1		podlo	
142	253762-1	Scheibe 8		1		podlo	

147	347591-3	DECK		1		kryt	
148	347582-4	HEIGHT ADJUST PLATE		1		nastaven	
149	265B20-5	HEX.SOCKET BUTTON HEAD BOLT M8		2			
150	922311-2	HEX. SOCKET HEAD BOLT M6X12		4			
151	313290-9	REAR SHAFT HOLDER COVER		2		zadn	
157	922213-2	H.S.H.BOLT M5X12 WITH WR		2			
159	232567-2	TORSION SPRING 9		1		pru	
160	347584-0	SIDE DISCHARGE PLATE		1		deska	
161	327420-6	ROD 8		1		ty	
162	961013-5	zajišťovací kroužek		1		zaji	
163	459886-3	SIDE DISCHARGE COVER		1		kryt	
164	922441-9	HEX. SOCKET HEAD BOLT M8X25		2			
165	459870-8	FRONT GRIP		1		p	
166	459871-6	FRONT COVER		1		p	
167	459872-4	DECK UNDER COVER		1		zadn	
168	266424-2	TAPPING SCREW 4X20		6			
169	265324-3	šroub M8 LS1013		1			
170	211247-3	BALL BEARING 6002DDW		1			
171	127513-7	REAR WHEEL ASSEMBLY		1		kolo	
172	211247-3	BALL BEARING 6002DDW		1			
178	911213-7	šroub M5x12		2			
179	459867-7	WHEEL CAP		1		v	
180	911213-7	šroub M5x12		3			
181	327435-3	REAR SHAFT HOLDER		1		zadn	
183	162689-3	REAR SHAFT		1		zadn	
184	922311-2	HEX. SOCKET HEAD BOLT M6X12		2			
185	162694-0	HEIGHT ADJUST LEVER COMPLETE		1		nasteven	
186	313368-8	REAR SHAFT HOLDER R		1			
188	911213-7	šroub M5x12		3			
189	459867-7	WHEEL CAP		1		v	
190	911213-7	šroub M5x12		2			
195	211247-3	BALL BEARING 6002DDW		1			
196	127513-7	REAR WHEEL ASSEMBLY		1		kolo	
197	211247-3	BALL BEARING 6002DDW		1			
198	265324-3	šroub M8 LS1013		1			
203	265324-3	šroub M8 LS1013		1			
204	211247-3	BALL BEARING 6002DDW		1			
205	127514-5	FRONT WHEEL ASSEMBLY		1		zadn	
206	211247-3	BALL BEARING 6002DDW		1			
207	162688-5	FRONT SHAFT		1		p	
208	211247-3	BALL BEARING 6002DDW		1			
209	127514-5	FRONT WHEEL ASSEMBLY		1		zadn	
210	211247-3	BALL BEARING 6002DDW		1			
211	265324-3	šroub M8 LS1013		1			
212	341462-6	držák ložiska= old 098029, old 09609		2		dr	
213	266424-2	TAPPING SCREW 4X20		4			
215	422533-9	GROMMET		1		pr	
216	459907-1	HANDLE COVER		1		dr	
217	459907-1	HANDLE COVER		1		dr	



224	961059-1	RETAINING RING (EXT) S-19		1		
A01	327589-6	ROD 6		1		
A02	782210-8	klíč 17		1		
A03	782212-4	klíč 13		1	kl	
A04	459887-1	SIDE DISCHARGE MOUTH		1		
A05	***DC18RD	DC18RD TWO PORT FAST CHARGER		1		
A05		COMPO-PARTS				
A06	197280-8	BATTERY BL1850B SET		4		
E01	800A17-7	SOUND 94DB LABEL		1	*	
E01-1	819V88-9	SOUND 95DB LABEL	<	1		
F01	191D48-8	SWING BACK BLADE 530 SET		1		
F02	191D50-1	SWING BACK BLADE 530 CPL. SET		1		
F03	191D52-7	BLADE 530 SET		1		
F04	191W87-2	BLADE 530 SET		1		

Prosím uveďte objednáací číslo dílu v objednávce

Datum tisku 22. 10. 2024