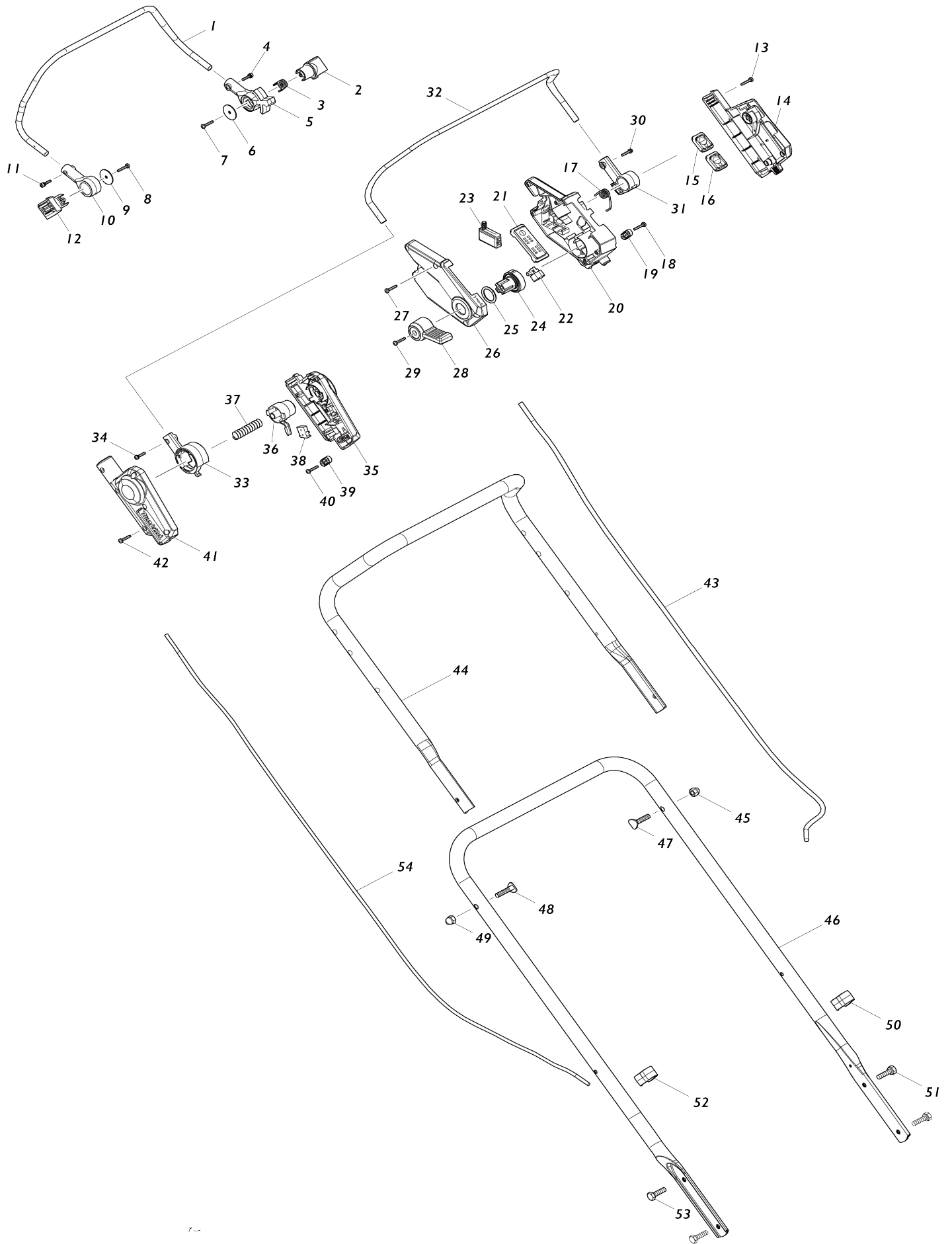
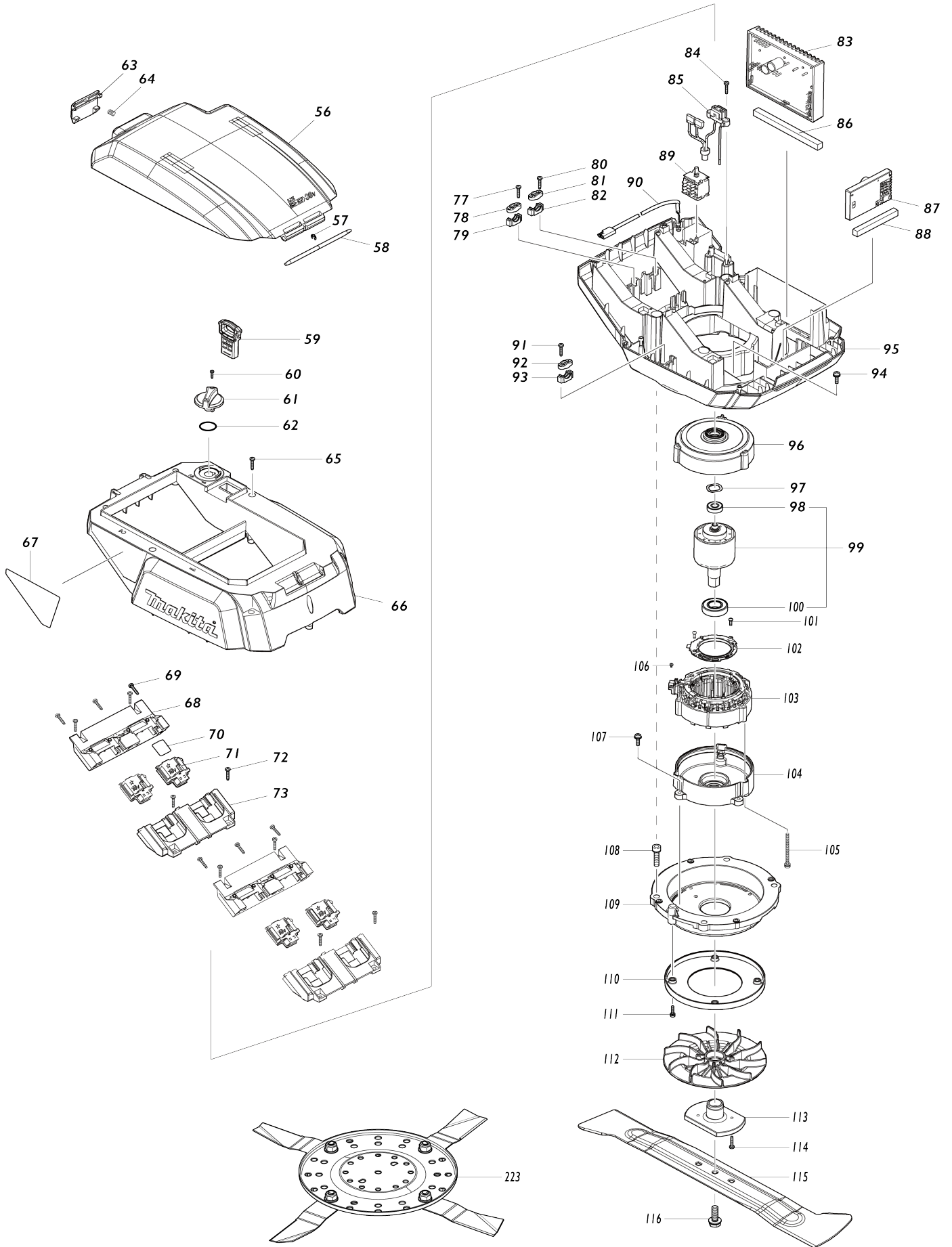


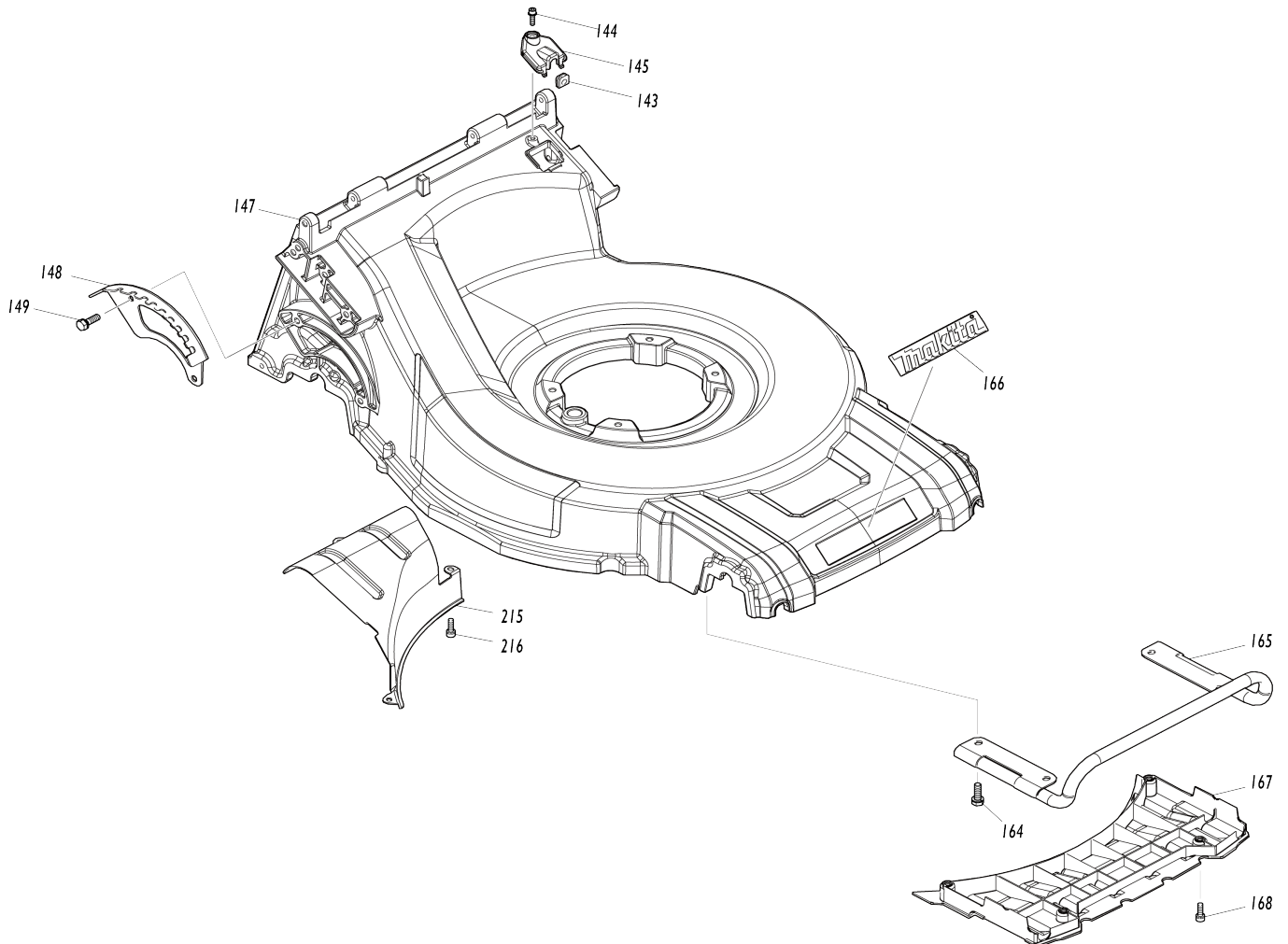
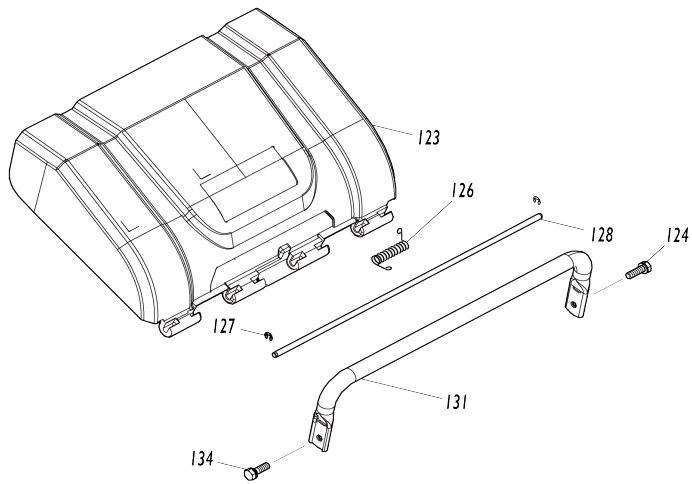
# Model No.DLM537 530MM CORDLESS LAWN MOWER



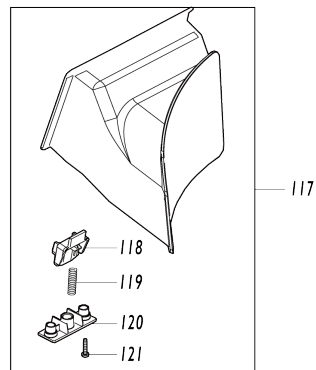
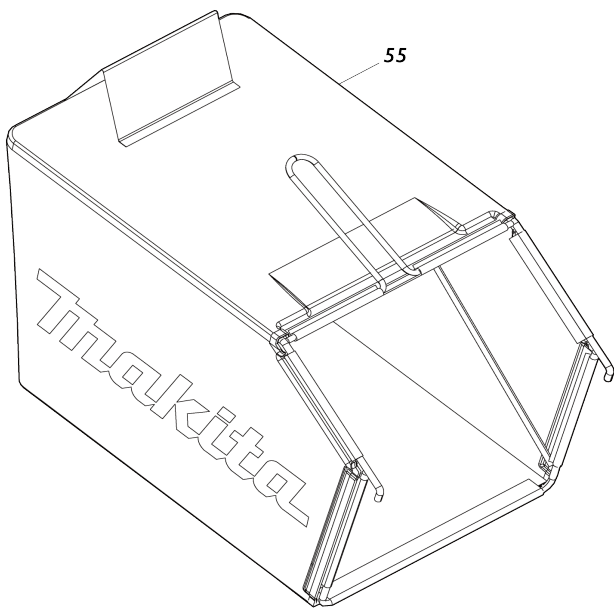
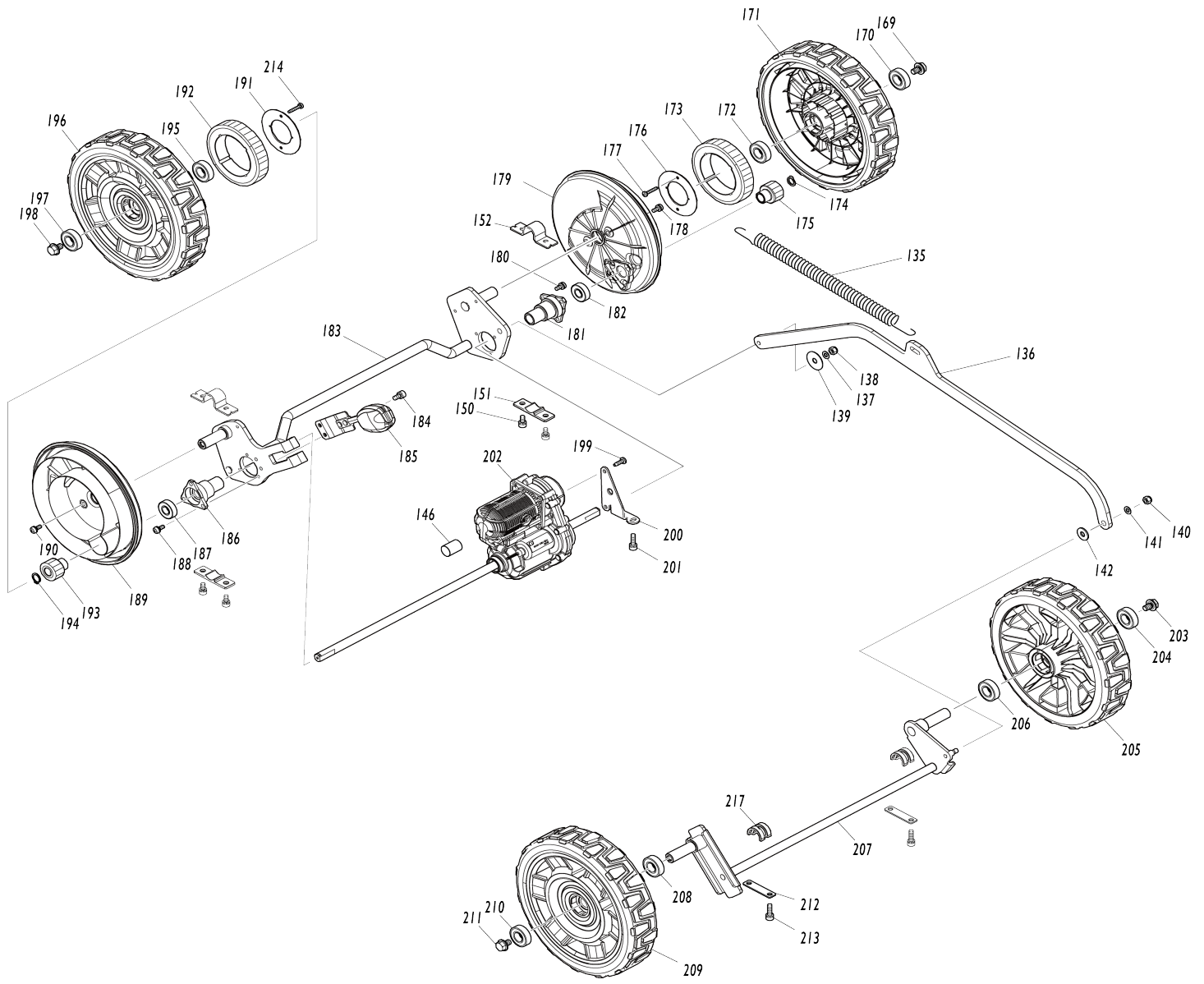
# Model No.DLM537 530MM CORDLESS LAWN MOWER



# Model No.DLM537 530MM CORDLESS LAWN MOWER



# Model No.DLM537 530MM CORDLESS LAWN MOWER



**Model No.DLM537 530MM CORDLESS LAWN MOWER**

Obj. č.	Obj. č.	Popis	Možnost záměny	Množství	Nový/Stary	Poznámka 1	Poznámka 2
001	327425-6	DRIVING LEVER		1		p	
002	459859-6	DRIVING LEVER HOLDER		1		dr	
003	232566-4	TORSION SPRING 12		1		pru	
004	911138-5	P.H.SCREW M4X20 WITH WR		1			
005	459864-3	DRIVING LEVER SUPPORT L		1		podp	
C10	931102-0	matka M4		1		matka M4	
006	267136-0	podložka 5		1		podlo	
007	266424-2	TAPPING SCREW 4X20		1			
008	266424-2	TAPPING SCREW 4X20		1			
009	267136-0	podložka 5		1		podlo	
010	459858-8	DRIVING LEVER SUPPORT R		1		podp	
C10	931102-0	matka M4		1		matka M4	
011	911138-5	P.H.SCREW M4X20 WITH WR		1			
012	459859-6	DRIVING LEVER HOLDER		1		dr	
013	266424-2	TAPPING SCREW 4X20		6			
014	183N90-3	SWITCH BOX SET		1		obal vyp	
014		INC. 26					
015	140F09-7	SWITCH CIRCUIT COMPLETE		1		okruh vyp	
C10	810D46-0	SWITCH LABEL		1			
016	140F10-2	SWITCH CIRCUIT COMPLETE		1		okruh vypina	
C10	818A74-1	SWITCH LABEL		1			
017	232575-3	TORSION SPRING 12		1		pru	
018	266424-2	TAPPING SCREW 4X20		2			
019	687124-5	držák kabelu		1		dr	
020	459860-1	SWITCH BOX		1		obal vyp	
021	620C48-0	INDICATION CIRCUIT COMPLETE		1		induk	
C10	8007C8-5	INDICATION LABEL		1			
022	620415-1	SUB CONTROLLER		1		vnit	
023	651083-9	SWITCH C3XA-1PSPM		1		vyp	
024	459866-9	SPEED LEVER HOLDER		1		p	
025	213897-0	O-RING 26		1		o krou	
026	183N90-3	SWITCH BOX SET		1		obal vyp	
026		INC. 14					
027	266424-2	TAPPING SCREW 4X20		5			
028	459865-1	SPEED LEVER		1		p	
029	266424-2	TAPPING SCREW 4X20		1			
030	911138-5	P.H.SCREW M4X20 WITH WR		1			
031	459863-5	SWITCH LEVER SUPPORT L		1		podp	
C10	931102-0	matka M4		1		matka M4	
032	327424-8	SWITCH LEVER		1		p	
033	459856-2	SWITCH LEVER SUPPORT R		1		podp	
C10	931102-0	matka M4		1		matka M4	
034	911138-5	P.H.SCREW M4X20 WITH WR		1			
035	183P40-0	LEVER BOX SET		1	*	obal vyp	
C10	8007C6-9	INDICATION LABEL		1	*		
035		INC. 41			*		
035-1	183X73-3	LEVER BOX SET	O	1		obal vyp	
C10	8007C6-9	INDICATION LABEL		1			

035-1		INC. 41				
036	459857-0	LOCK OFF BUTTON		1		vyp
037	231227-3	COMPRESSION SPRING 15		1		
038	632E26-0	SWITCH UNIT		1		vyp
039	687124-5	držák kabelu		1		dr
040	266424-2	TAPPING SCREW 4X20		2		
041	183P40-0	LEVER BOX SET		1	*	obal vyp
C10	8007C6-9	INDICATION LABEL		1	*	
041		INC. 35			*	
041-1	183X73-3	LEVER BOX SET	O	1		obal vyp
C10	8007C6-9	INDICATION LABEL		1		
041-1		INC. 35				
042	266424-2	TAPPING SCREW 4X20		6		
043	699143-9	POWER SUPPLY CORD UNIT		1		kabel
044	327421-4	HANDLE UPPER		1		dr
045	252278-3	HEX. CAP NUT M8		1		matka
046	327491-3	HANDLE LOWER		1		dr
047	265A62-3	FLAT HEAD BOLT M8X38		1		
048	265A62-3	FLAT HEAD BOLT M8X38		1		
049	252278-3	HEX. CAP NUT M8		1		matka
050	459905-5	CLAMP		1		spona
051	921441-6	HEX. BOLT M8X25		2		
052	459905-5	CLAMP		1		spona
053	921441-6	HEX. BOLT M8X25		2		
054	699142-1	POWER SUPPLY CORD UNIT		1		kabel
055	127412-3	GRASS CATCHER ASSEMBLY		1	*	
055-1	122B20-7	GRASS CATCHER ASSEMBLY	O	1		ko
C10	162976-0	GRASS CATCHER		1		
C20	327866-6	GRASS CATCHER BRACKET		1		r
056	140S03-7	BATTERY COVER COMPLETE		1		kryt bateie
C10	890380-0	CAUTION LABEL		1		
057	961018-5	zajišťovací kroužek E-5		1		zaji
058	327536-7	ROD 6		1		ty
059	643535-4	KEY		1		kl
060	266404-8	TAPPING SCREW BIND 3X14		1		
061	459851-2	SWITCH LEVER		1		p
062	213896-2	O-RING 24		1		o krou
063	459852-0	LOCK LEVER		1		p
064	231037-8	vinutá pružina 7		1		vinut
065	266424-2	TAPPING SCREW 4X20		7		
066	459847-3	COWLING UPPER		1		kryt
067	858B60-6	DLM537 NAME PLATE		1		
068	183N78-3	TERMINAL HOUSING SET		2		obal
C10	263005-3	vymezovací čep 6		8		
068		INC. 73				
069	266424-2	TAPPING SCREW 4X20		6		
070	858B61-4	DLM537 SERIAL NO. LABEL		1		
071	644809-6	TERMINAL		4		kontakt
072	266424-2	TAPPING SCREW 4X20		8		
073	183N78-3	TERMINAL HOUSING SET		2		obal
C10	263005-3	vymezovací čep 6		8		
073		INC. 68				

077	266424-2	TAPPING SCREW 4X20		2		
078	687124-5	držák kabelu		1		dr
079	687051-6	svorka kabelu - nahrazuje 261041		1		svorka kabelu - nahrazuje 261041
080	266424-2	TAPPING SCREW 4X20		2		
081	687124-5	držák kabelu		1		dr
082	687051-6	svorka kabelu - nahrazuje 261041		1		svorka kabelu - nahrazuje 261041
083	620E93-7	CONTROLLER		1		
084	266424-2	TAPPING SCREW 4X20		2		
085	632P74-5	LEAD UNIT		1		okruh
086	422529-0	SPONGE B		1		p
087	620E95-3	CONTROLLER		1		ovl
088	422528-2	SPONGE A		1		p
089	651444-3	SWITCH 1703.4703		1		vyp
090	699145-5	POWER SUPPLY CORD UNIT		1		kabel
091	266424-2	TAPPING SCREW 4X20		2		
092	687124-5	držák kabelu		1		dr
093	687051-6	svorka kabelu - nahrazuje 261041		1		svorka kabelu - nahrazuje 261041
094	911233-1	šroub M5x20		4		
095	459848-1	COWLING LOWER		1		kryt
096	319869-4	MOTOR HOUSING UPPER		1		obal motoru
097	253455-0	WAVE WASHER 19		1		podlo
098	210141-6	BALL BEARING 6000DDW		1		lo
099	519606-8	ROTOR ASS'Y		1		rotor
099		INC. 98,100				
100	211387-7	BALL BEARING 6004LLU		1		
101	265B29-7	TAPPING SCREW PT 2X8		2		
102	620B88-2	CONTROLLER B		1		ovl
103	629465-3	STATOR		1		stator
104	319870-9	MOTOR HOUSING LOWER		1		obal motoru
105	911691-1	šroub 5x70		3		
106	652031-1	PAN HEAD SCREW M3X6		3		
107	911233-1	šroub M5x20		4		
108	922456-6	imbus M8x35 HM1203C		4		imbus M8x35 HM1203C
109	319867-8	MOTOR BRACKET		1		konzola motoru
110	459853-8	BAFFLE PLATE		1		deska
111	911126-2	šroub M4x16		4		
112	240205-2	FAN 170		1		v
113	319868-6	BLADE SUPPORT		1		dr
114	266424-2	TAPPING SCREW 4X20		2		
115	191W87-2	BLADE 530 SET		1		
116	265A69-9	HEX. BOLT M10X35 WITH WG		1	*	
116-1	265D72-8	HEX. BOLT M10X35 WG	<	1		
117	127550-1	MULCHING PLUG ASSEMBLY		1		mul
117		INC. 118-121				
118	459884-7	LOCK LEVER		1		
119	231401-3	vinutá pružina 7		1		vinut
120	459885-5	LOCK LEVER SUPPORT		1		
121	266424-2	TAPPING SCREW 4X20		2		

123	162809-9	REAR FLAP COMPLETE		1		zadn	
C10	8007P8-6	CAUTION LABEL		1			
124	921441-6	HEX. BOLT M8X25		1			
126	233597-6	TORSION SPRING 8		1		pru	
127	961018-5	zajišťovací kroužek E-5		2		zaji	
128	327418-3	ROD 6		1		ty	
131	327492-1	REAR GRIP		1		dr	
134	921441-6	HEX. BOLT M8X25		1			
135	232628-8	TENSION SPRING 16		1		pru	
136	347647-2	CONNECTING ROD		1		ty	
137	941151-9	podložka 6 = old 253047-5		1		podlo	
138	252014-7	samojistící matice M6		1		samojist	
139	267216-2	podložka 8 BO3700=old253814-8		1		podlo	
140	252014-7	samojistící matice M6		1		samojist	
141	941151-9	podložka 6 = old 253047-5		1		podlo	
142	253762-1	Scheibe 8		1		podlo	
143	422526-6	GROMMET		1		pr	
144	922233-6	H.S.H.BOLT M5X20 WITH WR		1			
145	412262-2	LEAD COVER		1		kryt	
146	683A20-1	POLYOLEFIN TUBE		1		pouzdro	
147-1	312B22-3	DECK		1		kryt = old 312B22-3	
148	347582-4	HEIGHT ADJUST PLATE		1		nastaven	
149	921441-6	HEX. BOLT M8X25		2			
150	922331-6	imbus M6x20=new265551-2		4			
151	313290-9	REAR SHAFT HOLDER COVER		2		zadn	
152	347649-8	REAR SHAFT HOLDER SUPPORT		2		zadn	
164	921441-6	HEX. BOLT M8X25		4			
165	162740-9	FRONT GRIP		1		p	
166	412499-1	MAKITA LOGO PLATE		1		logo	
167	412263-0	DECK UNDER COVER		1		zadn	
168	922331-6	imbus M6x20=new265551-2		4			
169	265324-3	šroub M8 LS1013		1			
170	211247-3	BALL BEARING 6002DDW		1			
171	127513-7	REAR WHEEL ASSEMBLY		1		kolo	
172	211247-3	BALL BEARING 6002DDW		1			
173	226941-4	SPUR GEAR 49		1		vzp	
174	961052-5	segrovka vnější S-12		1		segrovka	
175	226940-6	SPUR GEAR 12		1		vzp	
176	347586-6	GEAR HOLDER PLATE		1		deska	
177	266424-2	TAPPING SCREW 4X20		2			
178	911213-7	šroub M5x12		2			
179	459867-7	WHEEL CAP		1		v	
180	911213-7	šroub M5x12		3			
181	327426-4	REAR SHAFT HOLDER		1		zadn	
182	210163-6	BALL BEARING 6001DDW		1		lo	
183	162689-3	REAR SHAFT		1		zadn	
184	922311-2	HEX. SOCKET HEAD BOLT M6X12		2			
185	162694-0	HEIGHT ADJUST LEVER COMPLETE		1		nasteven	
186	327426-4	REAR SHAFT HOLDER		1		zadn	
187	210163-6	BALL BEARING 6001DDW		1		lo	



188	911213-7	šroub M5x12		3		
189	459867-7	WHEEL CAP		1	v	
190	911213-7	šroub M5x12		2		
191	347586-6	GEAR HOLDER PLATE		1	deska	
192	226941-4	SPUR GEAR 49		1	vzp	
193	226940-6	SPUR GEAR 12		1	vzp	
194	961052-5	segrovka vnější S-12		1	segrovka	
195	211247-3	BALL BEARING 6002DDW		1		
196	127513-7	REAR WHEEL ASSEMBLY		1	kolo	
197	211247-3	BALL BEARING 6002DDW		1		
198	265324-3	šroub M8 LS1013		1		
199	266388-0	TAPPING SCREW 5X16		2		
200	347646-4	BRACKET		1	konzola	
201	922331-6	imbus M6x20=new265551-2		1		
202	127510-3	DRIVE UNIT ASSEMBLY		1	veden	
203	265324-3	šroub M8 LS1013		1		
204	211247-3	BALL BEARING 6002DDW		1		
205	127514-5	FRONT WHEEL ASSEMBLY		1	zadn	
206	211247-3	BALL BEARING 6002DDW		1		
207	162688-5	FRONT SHAFT		1	p	
208	211247-3	BALL BEARING 6002DDW		1		
209	127514-5	FRONT WHEEL ASSEMBLY		1	zadn	
210	211247-3	BALL BEARING 6002DDW		1		
211	265324-3	šroub M8 LS1013		1		
212	347645-6	FRONT SHAFT PLATE		2	deska	
213	922331-6	imbus M6x20=new265551-2		4		
214	266424-2	TAPPING SCREW 4X20		2		
215-1	347830-1	REAR GUIDE PLATE		1	deska = old 347830-1	
216	922331-6	imbus M6x20=new265551-2		3		
217	412264-8	FRONT SHAFT SUPPORT		2	p	
A01	327589-6	ROD 6		1		
A02	782210-8	klíč 17		1		
A03	782212-4	klíč 13		1	kl	
A05	***DC18RD	DC18RD TWO PORT FAST CHARGER		1		
A05		COMPO-PARTS				
A06	197280-8	BATTERY BL1850B SET		4		
E01	819V88-9	SOUND 95DB LABEL		1	*	
E01-1	819V87-1	SOUND 96DB LABEL	<	1		
F01	191D48-8	SWING BACK BLADE 530 SET		1		
F02	191D50-1	SWING BACK BLADE 530 CPL. SET		1		
F03	191D52-7	BLADE 530 SET		1		

Prosím uveďte objednací číslo dílu v objednávce

Datum tisku 22. 10. 2024