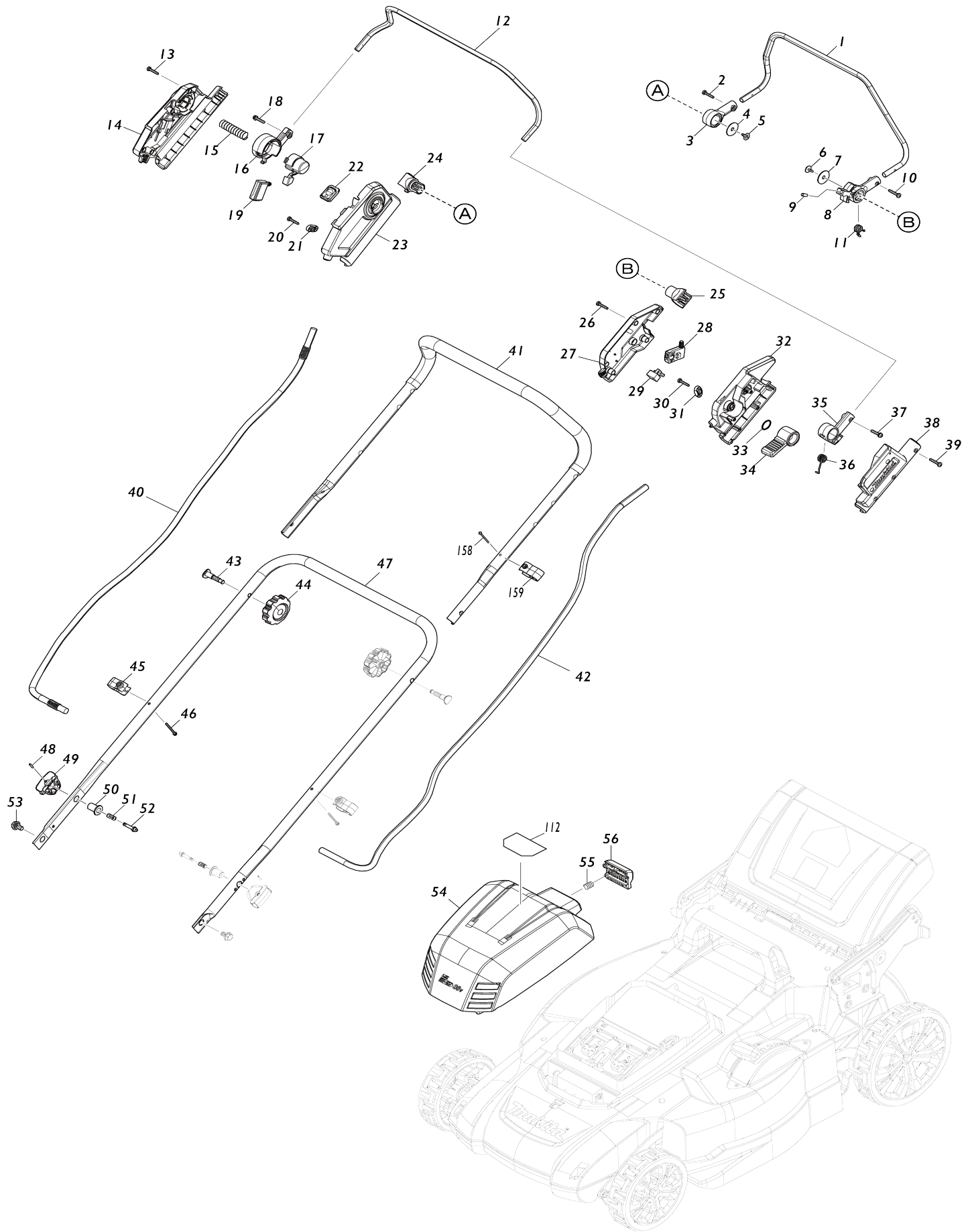
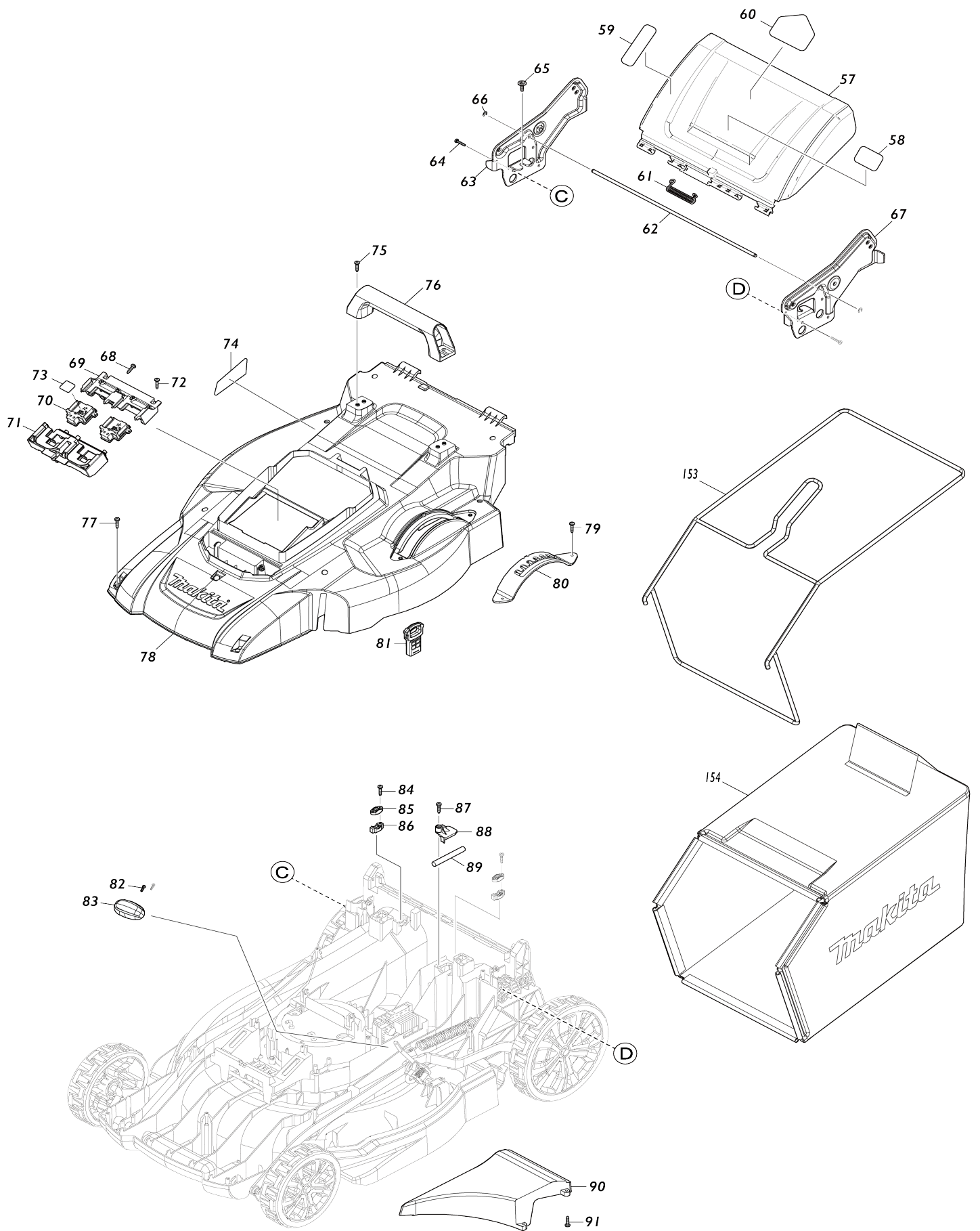


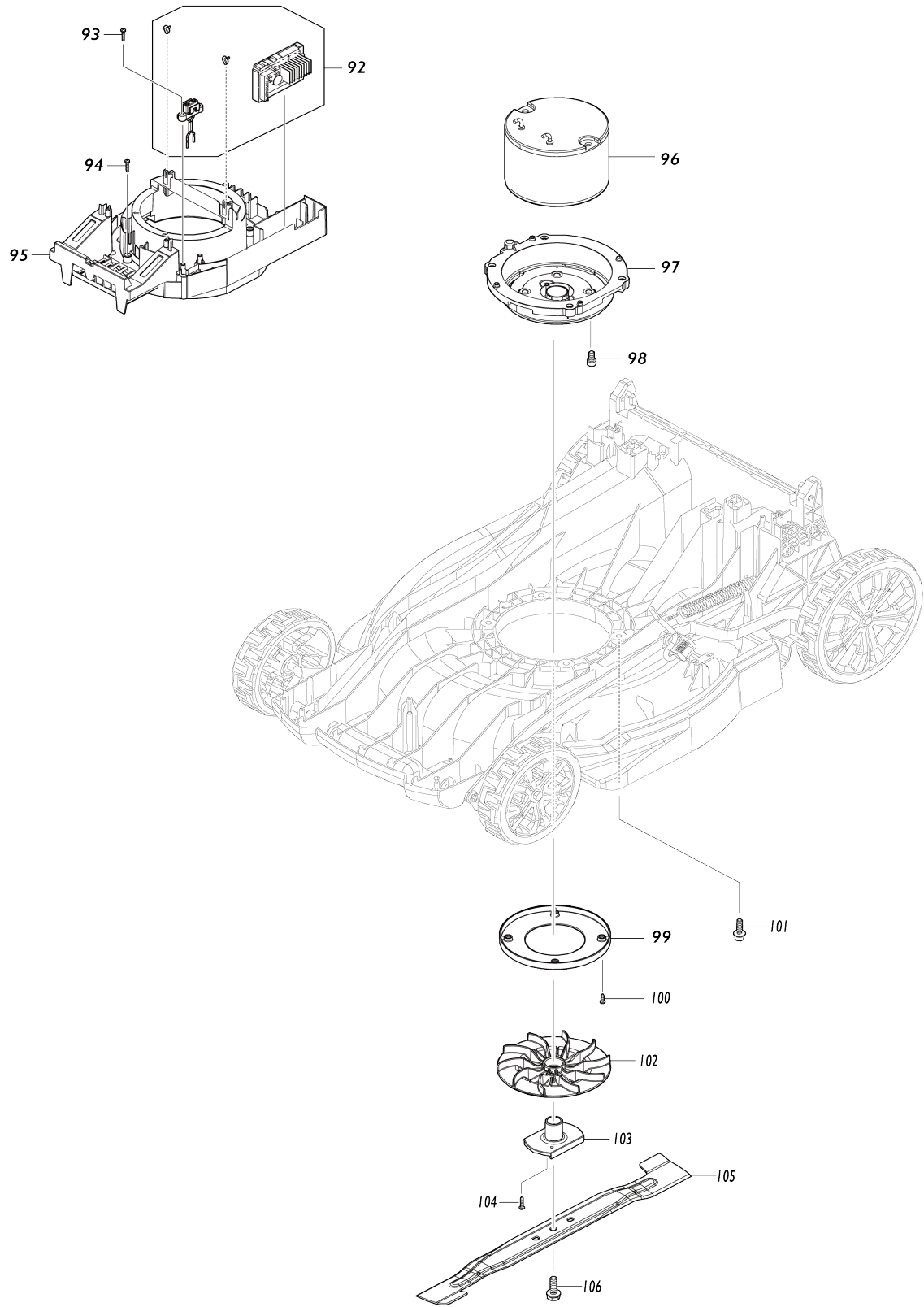
# Model No.DLM539 530MM CORDLESS LAWN MOWER



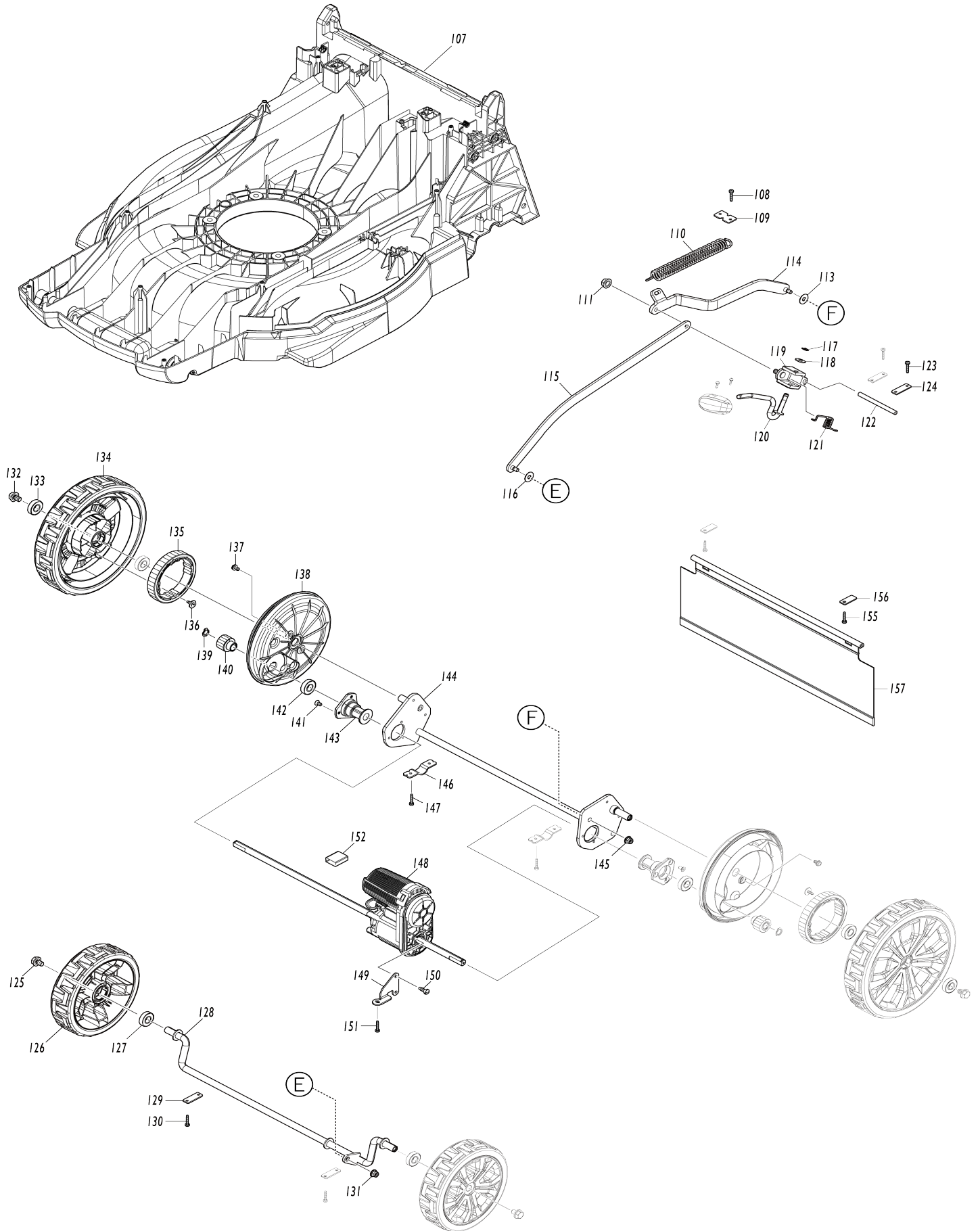
Model No.DLM539 530MM CORDLESS LAWN MOWER



# Model No.DLM539 530MM CORDLESS LAWN MOWER



# Model No.DLM539 530MM CORDLESS LAWN MOWER



**Model No.DLM539 530MM CORDLESS LAWN MOWER**

Obj. č.	Obj. č.	Popis	Možn ost zá měny	Množ ství	Nový/ Starý	Poznámka 1	Poznámka 2
001	327425-6	DRIVING LEVER		1		p	
002	911138-5	P.H.SCREW M4X20 WITH WR		1			
003	459858-8	DRIVING LEVER SUPPORT R		1		podp	
C10	931102-0	matka M4		1		matka M4	
004	253814-8	podložka 8=new267216-2		1			
005	265620-9	TAPPING SCREW FLANGE 4X18		1			
006	265620-9	TAPPING SCREW FLANGE 4X18		1			
007	253814-8	podložka 8=new267216-2		1			
008	413B10-4	DRIVING LEVER SUPPORT L		1		podp	
C10	931102-0	matka M4		1		matka M4	
009	268225-4	PIN 5		1			
010	911138-5	P.H.SCREW M4X20 WITH WR		1			
011	232566-4	TORSION SPRING 12		1		pru	
012	327424-8	SWITCH LEVER		1		p	
013	266424-2	TAPPING SCREW 4X20		7			
014	183V30-9	SWITCH BOX SET		1		vyp	
C10	8045G7-5	INDICATION LABEL		1			
014		INC. 23					
015	231227-3	COMPRESSION SPRING 15		1			
016	413A99-6	SWITCH LEVER SUPPORT R		1		podp	
C10	931102-0	matka M4		1		matka M4	
017	413B00-7	LOCK OFF BUTTON		1		tla	
018	911138-5	P.H.SCREW M4X20 WITH WR		1			
019	651083-9	SWITCH C3XA-1PSPM		1		vyp	
020	266424-2	TAPPING SCREW 4X20		2			
021	687123-7	spona kabelu MT601		1	*		
021-1	687124-5	držák kabelu	O	1		dr	
022	141H35-1	SWITCH CIRCUIT COMPLETE		1		sp	
C10	810D46-0	SWITCH LABEL		1			
023	183V30-9	SWITCH BOX SET		1		vyp	
C10	8045G7-5	INDICATION LABEL		1			
023		INC. 14					
024	413A98-8	DRIVING LEVER HOLDER		1		dr	
025	413A98-8	DRIVING LEVER HOLDER		1		dr	
026	266424-2	TAPPING SCREW 4X20		5			
027	183U35-3	LEVER BOX SET		1		pouzdro p	
027		INC. 38					
028	651083-9	SWITCH C3XA-1PSPM		1		vyp	
029	620415-1	SUB CONTROLLER		1		vnit	
030	266424-2	TAPPING SCREW 4X20		2			
031	687123-7	spona kabelu MT601		1	*		
031-1	687124-5	držák kabelu	O	1		dr	
032	413A95-4	LEVER BOX C		1		pouzdro p	
033	213A12-2	O-RING 18		1		o krou	
034	413B01-5	SPEED LEVER		1		p	
035	459863-5	SWITCH LEVER SUPPORT L		1		podp	
C10	931102-0	matka M4		1		matka M4	
036	232575-3	TORSION SPRING 12		1		pru	

037	911138-5	P.H.SCREW M4X20 WITH WR		1		
038	183U35-3	LEVER BOX SET		1		pouzdro p
038		INC. 27				
039	266424-2	TAPPING SCREW 4X20		5		
040	699187-9	POWER SUPPLY CORD UNIT		1		jednotka nap
041	327871-3	HANDLE UPPER		1		
042	699188-7	POWER SUPPLY CORD UNIT		1		kabel
043	265C08-1	FLAT HEAD BOLT M8X50		2		
044	265C06-5	THUMB NUT M8		2		matice
045	413944-9	CLAMP		2		
C10	931102-0	matka M4		2		matka M4
046	911163-6	PAN HEAD SCREW M4X35		2		
047	122A72-2	HANDLE LOWER ASSEMBLY		1		
047		INC. 48-52				
048	258004-8	SPRING PIN 2.5-16		2		
049	413943-1	KNOB		2		
050	327877-1	LOCK HOLDER		2		
051	234121-8	COMPRESSION SPRING 8		2		pru
052	327876-3	LOCK PIN		2		
053	265C07-3	HEX. BOLT M8		2		
054	141F56-1	BATTERY COVER COMPLETE		1	*	kryt baterie
C10	890380-0	CAUTION LABEL		1	*	
054-1	141H43-2	BATTERY COVER COMPLETE	O	1		
C11	8044A3-5	CAUTION LABEL	O	1		
055	231037-8	vinutá pružina 7		1		vinut
056	413B03-1	LOCK LEVER		1		zamykac
057	141J52-3	REAR FLAP COMPLETE		1	*	klapka
057		INC. 58			*	
057-1	141J53-1	REAR FLAP COMPLETE	O	1		
057-1		INC. 58				
058	8047H5-8	CAUTION LABEL		1	*	
058-1	8047H4-0	CAUTION LABEL	O	1		
061	232721-8	TORSION SPRING 8		1		
062	327418-3	ROD 6		1		ty
063	347867-8	HANDLE BRACKET R		1		dr
064	266553-1	TAPPING SCREW 5X30		6		
065	265C05-7	TAPPING SCREW FRANGE 5X20		2		
066	961018-5	zajišťovací kroužek E-5		2	*	zaji
066-1	259084-7	STOP RING (EXT) E-5	O	2		
067	347866-0	HANDLE BRACKET L		1		dr
068	266424-2	TAPPING SCREW 4X20		3		
069	183N35-1	TERMINAL HOUSING SET		1		kryt kontaktu
C10	263005-3	vymezovací čep 6		4		
069		INC. 71				
070	644809-6	TERMINAL		2		kontakt
071	183N35-1	TERMINAL HOUSING SET		1		kryt kontaktu
C10	263005-3	vymezovací čep 6		4		
071		INC. 69				
072	266424-2	TAPPING SCREW 4X20		3		
073	8114J9-9	DLM539 SERIAL NO. LABEL		1		
074	8114J3-1	DLM539 NAME PLATE		1		
075	266424-2	TAPPING SCREW 4X20		4		

076	413938-4	REAR GRIP		1		
077	266424-2	TAPPING SCREW 4X20		11		
078	141J49-2	COWLING COMPLETE		1		kryt
C10	422789-4	SPONGE SEAL		1		
C20	8031N0-1	INDICATION LABEL		2		
079	266424-2	TAPPING SCREW 4X20		2		
080	162993-0	HEIGHT ADJUST PLATE		1		
081	643535-4	KEY		1		kl
082	266816-5	+ PAN HEAD SCREW M3X12 WIT H WR		2	*	
082-1	265C97-6	+ PAN HEAD SCREW M3X12 WIT H WR	O	2		
083	413939-2	HEIGHT ADJUST LEVER GRIP		1		
084	266424-2	TAPPING SCREW 4X20		4		
085	687123-7	spona kabelu MT601		2		
086	687051-6	svorka kabelu - nahrazuje 26104 1		2		svorka kabelu - nahra zuje 261041
087	266424-2	TAPPING SCREW 4X20		1		
088	413B08-1	LEAD COVER		1		kryt
089	699182-9	POWER SUPPLY CORD UNIT		1		jednotka nap
090	413920-3	DECK REAR COVER		1		
091	266424-2	TAPPING SCREW 4X20		4		
092	620G77-7	CONTROLLER		1		ovl
093	266424-2	TAPPING SCREW 4X20		2		
094	266424-2	TAPPING SCREW 4X20		4		
095	413B05-7	MOTOR COVER		1		kryt
096	629A90-6	DC MOTOR		1		motor
097	141H61-0	MOTOR BRACKET COMPLETE		1		dr
098	922422-3	imbus M8x16		4		imbus M8x16
099	459853-8	BAFFLE PLATE		1		deska
100	266385-6	TAPPING SCREW 4X14		4		
101	265C22-7	H.S.H.BOLT M8X30 WITH WG		4		
102	240229-8	FAN 170		1		ventil
103	313392-1	BLADE SUPPORT 530		1		dr
104	266424-2	TAPPING SCREW 4X20		2		
105	191V96-5	BLADE 530 SET		1		
106	265A69-9	HEX. BOLT M10X35 WITH WG		1	*	
106-1	265D72-8	HEX. BOLT M10X35 WG	<	1		
107	413A63-7	DECK		1		deska
108	266424-2	TAPPING SCREW 4X20		2		
109	347870-9	HOOK PLATE		1		
110	232717-9	TENSION SPRING 17		1		
111	252301-4	HEX. FLANGE LOCK NUT M6-10		1		
112	8046H9-4	INDICATION LABEL		1		
113	253731-2	podložka 8 LC1230		1		podlo
114	347873-3	CONNECTING ROD R		1		spojovac
115	347871-7	CONNECTING ROD F		1		
116	253731-2	podložka 8 LC1230		1		podlo
117	961012-7	zajišťovací kroužek		1	*	
117-1	259085-5	STOP RING (EXT)E-6	O	1		
118	267281-1	podložka		1		podlo
119	313389-0	ROD HOLDER		1		

120	327872-1	HEIGHT ADJUST LEVER		1		
121	232715-3	TORSION SPRING 9		1		
122	327873-9	ROD 7		1		
123	266424-2	TAPPING SCREW 4X20		4		
124	347869-4	PLATE		2		
125	265324-3	šroub M8 LS1013		2		
126	141E34-5	TIRE 180 COMPLETE		2		
127	210163-6	BALL BEARING 6001DDW		2	lo	
128	162989-1	FRONT SHAFT		1		
129	347869-4	PLATE		2		
130	266424-2	TAPPING SCREW 4X20		4		
131	252301-4	HEX. FLANGE LOCK NUT M6-10		1		
132	265324-3	šroub M8 LS1013		2		
133	210163-6	BALL BEARING 6001DDW		4	lo	
134	141F63-4	TIRE 230 COMPLETE		2	pneumatiky 230	
135	227913-2	SPUR GEAR 49		2	podp	
136	265B00-1	TAPPING SCREW FLANGE 4X12		4		
137	911208-0	šroub M5x10		4		
138	413B06-5	WHEEL CAP		2	kryt kola	
139	961052-5	segrovka vnější S-12		2	segrovka	
140	227912-4	SPUR GEAR 11		2	podp	
141	251951-2	šroub M5		6		
142	210163-6	BALL BEARING 6001DDW		2	lo	
143	313390-5	REAR SHAFT HOLDER		2		
144	162990-6	REAR SHAFT		1		
145	252301-4	HEX. FLANGE LOCK NUT M6-10		1		
146	347865-2	CLAMP 19		2		
147	266553-1	TAPPING SCREW 5X30		4		
148	122B05-3	DRIVE UNIT		1	veden	
149	347887-2	BRACKET		1	zar	
150	266388-0	TAPPING SCREW 5X16		2		
151	266553-1	TAPPING SCREW 5X30		1		
152	683A20-1	POLYOLEFIN TUBE		1	pouzdro	
153	162A27-5	GRASS CATCHER BRACKET		1	*	
153-1	162C45-5	GRASS CATCHER BRACKET	<	1	dr	
154	162B25-5	GRASS CATCHER		1	*	
154-1	162C13-8	GRASS CATCHER	<	1	ko	
158	911163-6	PAN HEAD SCREW M4X35		1		
159	413944-9	CLAMP		1		
C10	931102-0	matka M4		1	matka M4	
A01	327589-6	ROD 6		1		
A02	413945-7	MULCHING PLUG 530		1		
A03	782210-8	klíč 17		1		
A04	***DC18SH	DC18SH TWO PORT CHAGER		1		
A04		COMPO-PARTS				
A05	197280-8	BATTERY BL1850B SET		2		
E01	688238-3	LINE FILTER		2	filtr	
E02	688162-0	LINE FILTER		1	filtr UB1103	
E03	688164-6	LINE FILTER		2		
E04	819V87-1	SOUND 96DB LABEL		1	*	
E04-1	809304-5	SOUND 97DB LABEL	<	1		
F01	191V96-5	BLADE 530 SET		1		



F02	191W87-2	BLADE 530 SET		1			
-----	----------	---------------	--	---	--	--	--

Prosím uveďte objednáací číslo dílu v objednávce

Datum tisku 22. 10. 2024