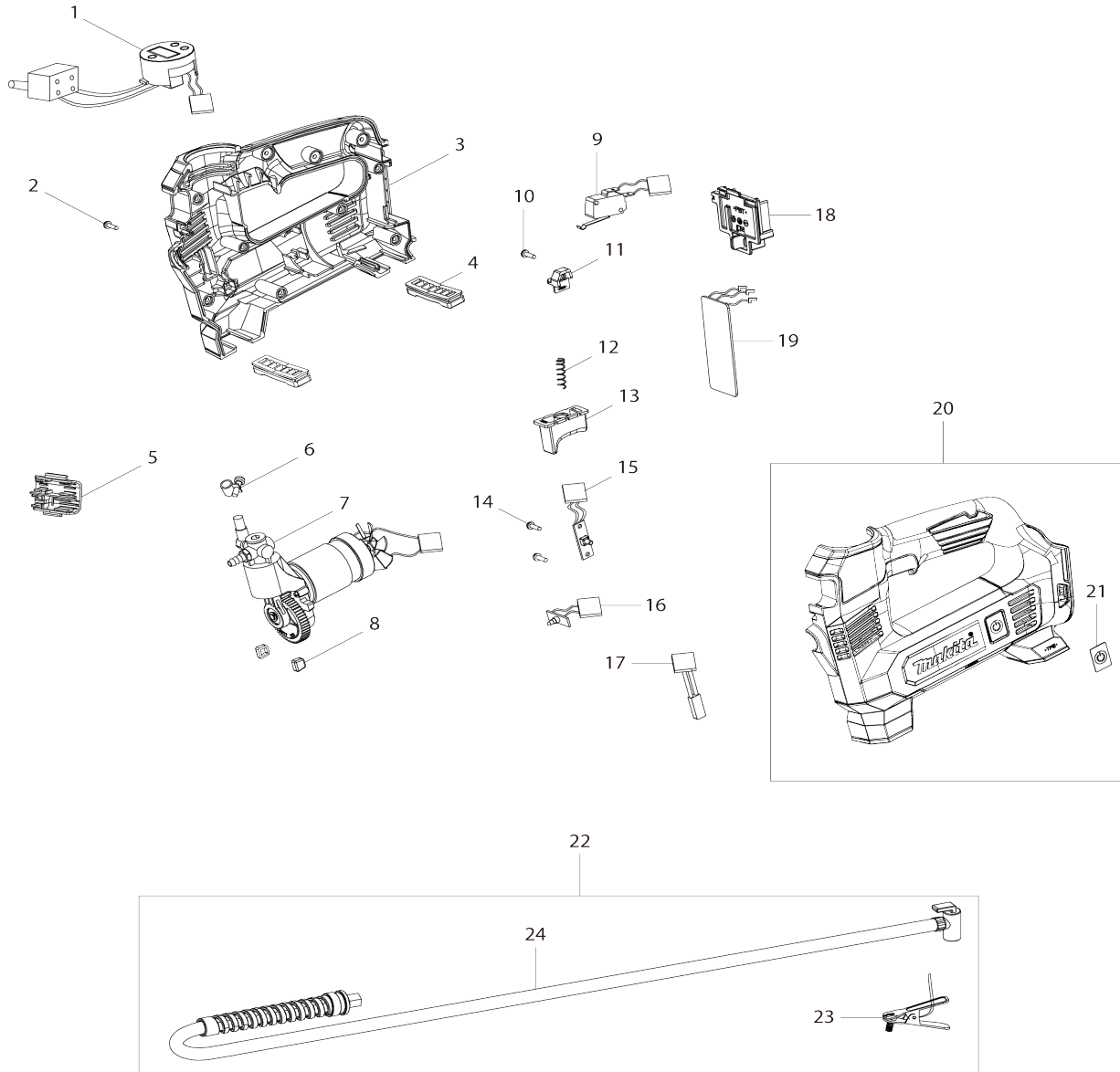


Model No.DMP180 CORDLESS INFLATOR



Model No.DMP180 CORDLESS INFLATOR

Obj. č.	Obj. č.	Popis	Možn ost zá měny	Množ ství	Nový/ Starý	Poznámka 1	Poznámka 2
001	TE00000421	DIGITAL DISPLAY		1	*		
001-1	TE00000630	DIGITAL DISPLAY	O	1		display=oldTE00000421	
002	TE00000204	SCREW 3X14		10			
003	TE00000420	HOUSING ASSEMBLY		1	*	obal=newTE00000483	
003		INC. 20,21			*		
003-1	TE00000444	HOUSING SET	O	1	*		
003-1		INC. 20,21			*		
003-2	TE00000483	HOUSING SET	O	1		obal=oldTE00000420	
003-2		INC. 20,21					
004	TE00000338	MAT		2		no	
005	TE00000422	FIXED BRACKET		1		upevn	
006	TE00000352	CLAMP		1		spona	
007	TE00000425	MOTOR ASSEMBLY		1	*	motor=newTE00000641	
007-1	TE00000641	MOTOR ASSEMBLY	<	1		dr	
007-1		INC. 22					
008	TE00000339	RUBBER(CYLINDER)		2		gumov	
009	TE00000329	SWITCH		1	*		
009-1	TE00000485	SWITCH TRIGGER	O	1	*	spou	
009-2	TE00000329	SWITCH	X	1			
010	TE00000327	SCREW 3*10		1			
011	TE00000328	TRIGGER SPRING-FIXED BLOCK		1		pru	
012	TE00000330	SPRING		1		pru	
013	TE00000331	SWITCH TRIGGER		1	*	spou	
013-1	TE00000485	SWITCH TRIGGER	O	1		spou	
014	TE00000327	SCREW 3*10		2			
015	TE00000341	POWER ON/OFF		1	*	vyp	
015-1	TE00000835	POWER ON/OFF	O	1			
016	TE00000342	LED PCB		1	*	elektronika	
016-1	TE00000836	LED PCB	O	1			
017	TE00000343	TERMINAL PROTECTOR		1		chr	
018	TE00000424	BATTERY TERMINAL		1		kontakt	
019	TE00000423	PCB		1		obvod	
020	TE00000420	HOUSING ASSEMBLY		1	*	obal=newTE00000483	
020		INC. 3,21			*		
020-1	TE00000444	HOUSING SET	O	1	*		
020-1		INC. 3,21			*		
020-2	TE00000483	HOUSING SET	O	1		obal=oldTE00000420	
020-2		INC. 3,21					
021	TE00000426	SWITCH LABEL		1			
022	TE00000345	AIR PIPE ASSEMBLY(6MM)		1			
022		INC. 23					
022A_	TE00000638	AIR PIPE ASSEMBLY(8MM)		1			
022A_		INC. 23					
023	TE00000346	BRITISH ADAPTER		1	*		
023-1	TE00000597	BRITISH ADAPTER	<	1		anglick	

A01	TE00000333	SWIM RING ADAPTER		1			
A02	TE00000335	BALL ADAPTER		1	*		
A02-1	TE00000592	BALL ADAPTER	<	1			
A03	TE00000334	FRENCH ADAPTER		1	*		
A03-1	TE00000594	FRENCH ADAPTER	<	1			

Prosím uveďte objednáč. číslo dílu v objednávce

Datum tisku 22. 10. 2024