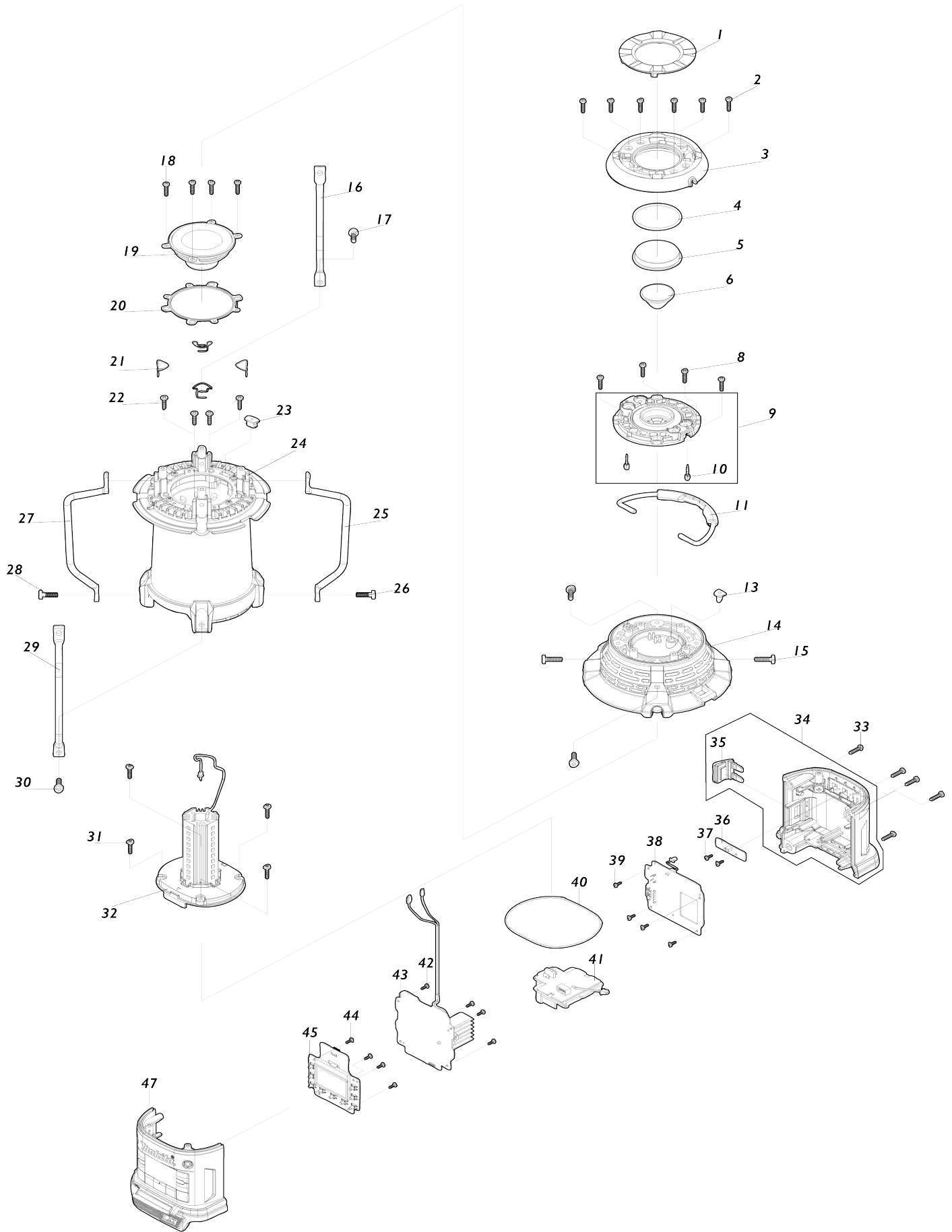


# Model No.DMR056 CORDLESS RADIO WITH LANTERN



Model No.DMR056 CORDLESS RADIO WITH LANTERN

Obj. č.	Obj. č.	Popis	Možnost záměny	Množství	Nový/ Starý	Poznámka 1	Poznámka 2
001	SE00001125	TOP PANEL		1		panel	
002	SE00001127	TAPPING SCREW 3X12(ZK)		6			
003	SE00001128	TOP COVER		1		horn	
004	SE00001129	O RING D37.8 W2		1		O krou	
005	SE00001130	FLASH LIGHT LENS		1			
006	SE00001131	LED LENS		1		led	
008	SE00001127	TAPPING SCREW 3X12(ZK)		4			
009	SE00001134	LED HOLDER+PCB F ASS'Y (MR054)		1		dr	
009		INC. 10					
010	SE00001136	RUBBER PAD A		2		gumov	
011	SE00001137	HANDLE		1		rukoje	
013	SE00001138	WATERPROOF PLUG A		1		vodot	
014	SE00001139	TOP CABINET ASS'Y		1		sk	
015	SE00001140	HEX SOCKET HEAD BOLT M4X16		4			
016	SE00001141	FIXER BAR		1		li	
017	SE00001142	HEX SOCKET HEAD BOLT M4X13		1	*		
017-1	SE00001216	HEX SOCKET HEAD BOLT M4X13	O	1			
018	SE00001127	TAPPING SCREW 3X12(ZK)		4			
019	SE00001144	SPEAKER		1		reproduktor	
020	SE00001146	PACKING		1		obal	
021	SE00001197	SPRING WIRE		4		pru	
022	SE00001148	SCREW STB 3X12(MC)		4			
023	SE00001149	WATERPROOF PLUG B		1		vodot	
024	SE00001198	LAMP COVER ASS'Y		1		kryt	
025	SE00001141	FIXER BAR		1		li	
026	SE00001142	HEX SOCKET HEAD BOLT M4X13		1	*		
026-1	SE00001216	HEX SOCKET HEAD BOLT M4X13	O	1			
027	SE00001141	FIXER BAR		1		li	
028	SE00001142	HEX SOCKET HEAD BOLT M4X13		1	*		
028-1	SE00001216	HEX SOCKET HEAD BOLT M4X13	O	1			
029	SE00001141	FIXER BAR		1		li	
030	SE00001142	HEX SOCKET HEAD BOLT M4X13		1	*		
030-1	SE00001216	HEX SOCKET HEAD BOLT M4X13	O	1			
031	SE00001127	TAPPING SCREW 3X12(ZK)		4	*		
031-1	SE00001218	HEX SOCKET HEAD BOLT 3X12	X	4			
032	SE00001200	PCB D+E ASSY		1		deska	
033	SE00001127	TAPPING SCREW 3X12(ZK)		5			
034	SE00001202	REAR BOTTOM CABINET ASS'Y		1		zadn	
034		INC. 35					
035	SE00001158	USB RUBBER COVER		1		kryt USB	
036	SE00001204	PCB K ASS'Y		1		deska	
037	SE00001160	TAPPING SCREW 2X6		2			
038	SE00001206	PCB H ASS'Y		1		deska	
039	SE00001160	TAPPING SCREW 2X6		4			
040	SE00001163	BOTTOM CABINET PACKING D1.5xL2		1		kryt D1 5xL2	
041	SE00001208	TERMINAL		1		termin	
042	SE00001160	TAPPING SCREW 2X6		4			

043	SE00001210	PCB A ASS'Y		1		deska	
044	SE00001160	TAPPING SCREW 2X6		4			
045	SE00001212	PCB C ASS'Y		1		deska	
047	SE00001214	FRONT BOTTOM CABINET ASS'Y		1		sk	
A01	SE00001178	STRAP WITH HOOK		1		popruh s h	

Prosím uveďte objednáč í číslo dílu v objednávce

Datum tisku 22. 10. 2024