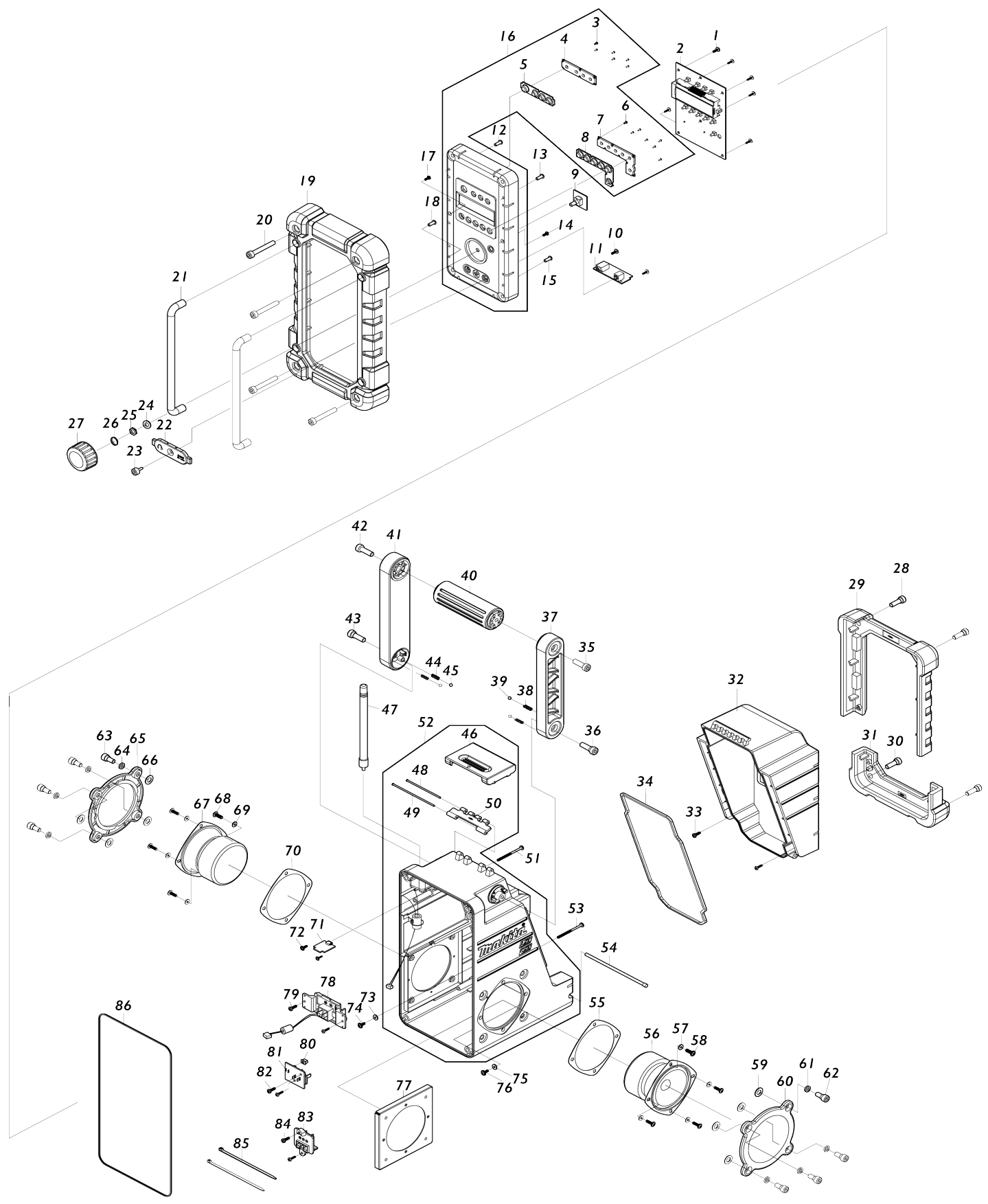


# Model No.DMR110N JOB SITE RADIO



**Model No.DMR110N JOB SITE RADIO**

Obj. č.	Obj. č.	Popis	Možn ost zá měny	Množ ství	Nový/ Starý	Poznámka 1	Poznámka 2
001	SE00000325	SCREW PTB 3X8(NI)		6			
002	SE00001087	PCB A ASS'Y		1		deska	
003	SE09090011	SCREW 1.7		6			
004	SE020PC020	POWER BUTTON HOLDER		1			
005	SE00000274	POWER BUTTON		1			
006	SE09090011	SCREW 1.7		7			
007	SE020PC030	PRESET BUTTON HOLDER		1			
008	SE00000275	PRESET BUTTON		1			
009	SE00001088	PCB P ENCODER ASS'Y		1		deska	
010	SE00000193	SCREW 3X10		2			
011	SE00001089	PCB P DC JACK ASS'Y		1		deska	
012	SE09064161	SCREW M4X16		1			
013	SE09064161	SCREW M4X16		1			
014	SE00000325	SCREW PTB 3X8(NI)		1			
015	SE09064161	SCREW M4X16		1			
016	SE00001090	FRONT CABINET ASS'Y		1		p	
016		INC. 3-8					
017	SE00000325	SCREW PTB 3X8(NI)		1			
018	SE09064161	SCREW M4X16		1			
019	SE00000159	FRONT BUMPER		1			
020	SE00000160	SCREW PTHE6X47(CR)		4			
021	SE0338PC5Z	FRONT BAR		2		p	
022	SE00000042	JACK COVER		1		kryt = old SE0335PC5 Z	
023	SE09173106	šroub M3x10 BMR100		1			
024	SE00000754	EN/SW WASHER		1		podlo	
025	SE00000755	EN/SW NUT		1		podlo	
026	SE21B1110A	ROTARY KNOB RING		1		knofl	
027	SE00000465	ROTARY KNOB BLK 3102PC00000 40		1		tla	
028	SE09176166	šroub M6x16 BMR100		2			
029	SE00000162	BATTERY COVER BUMPER		1			
030	SE09176166	šroub M6x16 BMR100		2			
031	SE00000165	REAR BUMPER		1		n	
032	SE00000166	BATTERY COVER		1		kryt	
033	SE00000325	SCREW PTB 3X8(NI)		2			
034	SE00000168	PACKING		1			
035	SE00000176	SCREW PTHE6X20(CR)		1			
036	SE09176166	šroub M6x16 BMR100		1			
037	SE00000177	HANDLE HOLDER(R)		1		dr	
038	SE00000184	SPRING		2		pru	
039	SE09994007	kulička		2		kuli	
040	SE00000179	HANDLE		1		dr	
041	SE00000180	HANDLE HOLDER (L)		1		dr	
042	SE00000176	SCREW PTHE6X20(CR)		1			
043	SE09176166	šroub M6x16 BMR100		1			
044	SE00000184	SPRING		2		pru	
045	SE09994007	kulička		2		kuli	
046	SE00000190	BATTERY COVER LOCKER		1		uz	

047	SE00000284	RUBBER ANT 174-240(BLACK)		1		ant	
048	SE021PC050	LOCKER FIXER PIN 62.8		1			
049	SE021PC040	LOCKER FIXER PIN 79.5		1			
050	SE00000067	kryt		1		kryt	
051	SE09163452	SCREW M3X45		1			
052	SE00001091	REAR CABINET ASS'Y(BLUE)		1		zadn	
052		INC. 46,48-50					
053	SE09163452	SCREW M3X45		1			
054	SE021PC030	čep baterie BMR100		1			
055	SE024J9030	PACKING		1			
056	SE00001093	SPEAKER RIGHT		1		prav	
057	SE024J9070	PACKING		4			
058	SE09090023	SCREW M4X12		4			
059	SE024J9090	PACKING		4		t	
060	SE00000205	SPEAKER NET ASSY		1			
061	SE024J9040	PACKING		4			
062	SE9076146A	šroub		4			
063	SE9076146A	šroub		4			
064	SE024J9040	PACKING		4			
065	SE00000205	SPEAKER NET ASSY		1			
066	SE024J9090	PACKING		4		t	
067	SE00001094	SPEAKER LEFT		1		lepv	
068	SE09090023	SCREW M4X12		4			
069	SE024J9070	PACKING		4			
070	SE024J9030	PACKING		1			
071	SE00000674	PCB G UPDATE USB ASS'Y		1		elektronika	
072	SE00000193	SCREW 3X10		2			
073	SE00000199	SILICON RUBBER WASHER		1			
074	SE00000193	SCREW 3X10		1			
075	SE00000199	SILICON RUBBER WASHER		1			
076	SE00000193	SCREW 3X10		1			
077	SE021J9010	SPEAKER HOLDER		1			
078	SE00001095	LXT TERMINAL		1		LXT terminal	
079	SE00000325	SCREW PTB 3X8(NI)		2			
080	SE00000430	SWITCH KNOB		1		knofl	
081	SE00001096	PCB P BATTERY SWITCH ASS'Y		1		deska	
082	SE00000325	SCREW PTB 3X8(NI)		2			
083	SE00000473	TERMINAL 10.8V ASSY 011 WA1		1			
084	SE00000325	SCREW PTB 3X8(NI)		2			
085	SE00000195	W/TIES 100MM		2			
086	SE024PC040	PACKING		1			
A01	SE00000265	AC ADAPTER		1			

Prosím uveďte objednací číslo dílu v objednávce

Datum tisku 22. 10. 2024