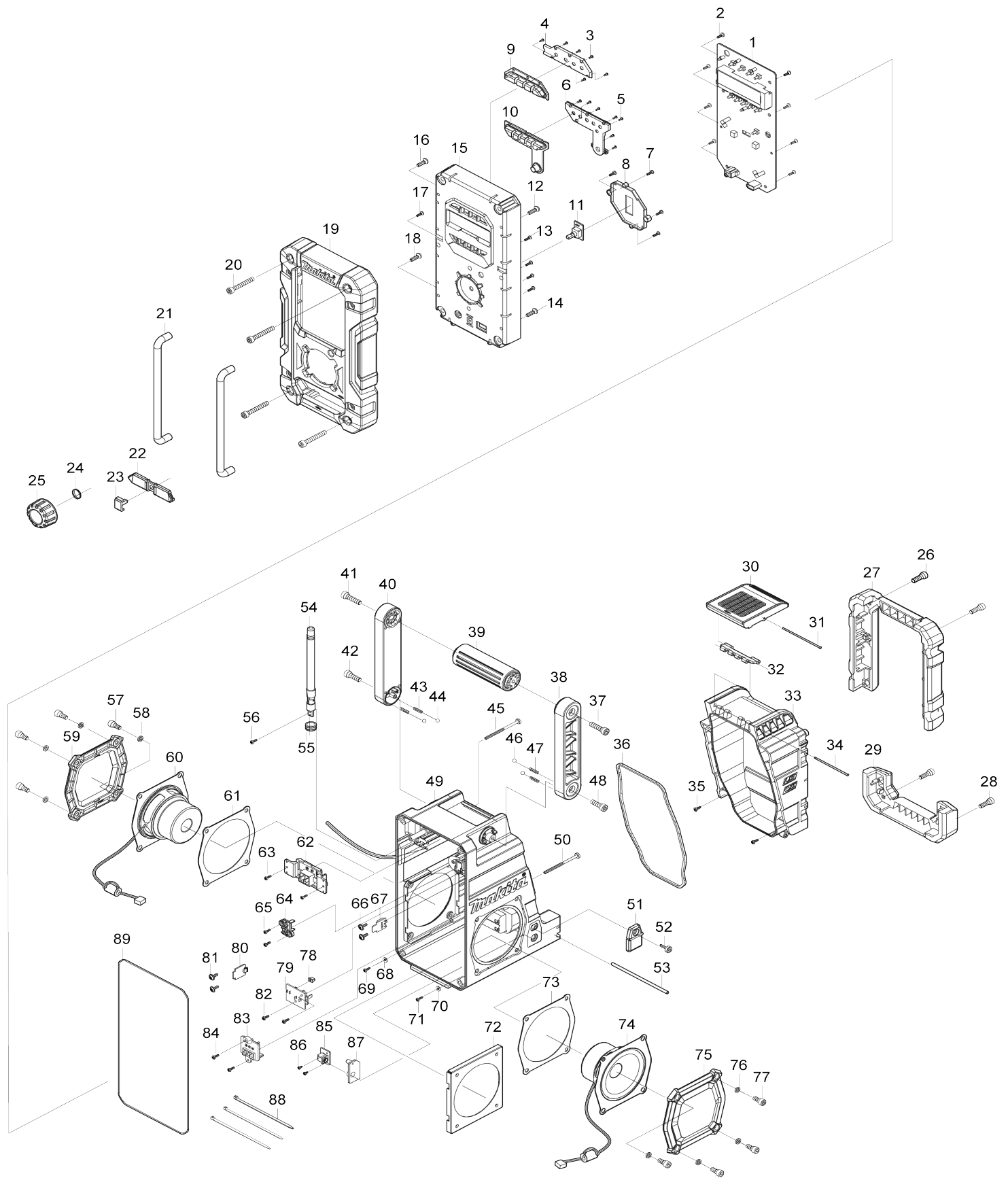


Model No.DMR112 JOB SITE RADIO



Model No.DMR112 JOB SITE RADIO

Obj. č.	Obj. č.	Popis	Možnost záměny	Množství	Nový/ Starý	Poznámka 1	Poznámka 2
001	SE00000658	PCB A ASS'Y		1	*		
001-1	SE00000658	PCB A ASS'Y	<	1	*		
001-2	SE00000825	PCB A ASSEMBLY	O	1		elektronika DMR112= oldSE00000658	
002	SE00000325	SCREW PTB 3X8(NI)		8			
003	SE09090011	SCREW 1.7		5			
004	SE00000659	POWER BUTTON HOLDER		1		tla	
005	SE09090011	SCREW 1.7		7			
006	SE00000660	PRESET BUTTON HOLDER		1		tla	
007	SE00000325	SCREW PTB 3X8(NI)		4			
008	SE00000656	KNOB LENS HOLDER		1		dr	
009	SE00000661	POWER BUTTON		1		tla	
010	SE00000662	PRESET BUTTON		1		tla	
011	SE00000663	PCB P ENCODER ASS'Y		1		potenciometr DMR11 2	
012	SE09064161	SCREW M4X16		1			
013	SE00000325	SCREW PTB 3X8(NI)		4			
014	SE09064161	SCREW M4X16		1			
015	SE00000664	FRONT CABINET ASS'Y(CE)		1		kryt	
016	SE09064161	SCREW M4X16		1			
017	SE00000325	SCREW PTB 3X8(NI)		1			
018	SE09064161	SCREW M4X16		1			
019	SE00000666	FRONT BUMPER		1		guma	
020	SE00000160	SCREW PTHE6X47(CR)		4			
021	SE0338PC5Z	FRONT BAR		2		p	
022	SE00000355	JACK RUBBER COVER		1		kryt DMR106 DMR11 2	
023	SE00000356	JACK COVER		1		kryt	
024	SE21B1110A	ROTARY KNOB RING		1		knofl	
025	SE00000482	ROTARY KNOB (BLK)		1		ovl	
026	SE09176166	šroub M6x16 BMR100		2			
027	SE00000357	BATTERY BUMPER		1		n	
028	SE09176166	šroub M6x16 BMR100		2			
029	SE00000359	REAR BUMPER		1		p	
030	SE00000362	LOCKER COVER		1		kryt modr	
031	SE00000364	LOCKER FIXER PIN 73.5MM		1		pin 73.5MM	
032	SE00000365	LOCK HINGER		1		h	
033	SE00000483	BATTERY COVER		1		kryt baterie DMR112	
034	SE00000369	LOCKER FIXER PIN 64.5MM		1		pin 64.5MM	
035	SE00000325	SCREW PTB 3X8(NI)		2			
036	SE00000371	BATTERY COVER PACKING		1		kryt	
037	SE00000176	SCREW PTHE6X20(CR)		1			
038	SE00000177	HANDLE HOLDER(R)		1		dr	
039	SE00000179	HANDLE		1		dr	
040	SE00000180	HANDLE HOLDER (L)		1		dr	
041	SE00000176	SCREW PTHE6X20(CR)		1			
042	SE09176166	šroub M6x16 BMR100		1			
043	SE00000184	SPRING		2		pru	
044	SE09994007	kulička		2		kuli	

045	SE00000445	SCREW PTB 3X45(NI)		1		
046	SE09994007	kulička		2		kuli
047	SE00000184	SPRING		2		pru
048	SE09176166	šroub M6x16 BMR100		1		
049	SE00000667	REAR CABINET ASS'Y(CE)		1		kryt
050	SE00000445	SCREW PTB 3X45(NI)		1		
051	SE00000403	DC RUBBER COVER		1		gumov
052	SE00000404	SCREW PTHE 3X14(CR)		1		
053	SE021PC030	čep baterie BMR100		1		
054	SE00000669	RUBBER ANT 88-108/174-240(BLK)		1		guma
055	SE00000398	ROD ANT PACKING		1		ant
056	SE00000325	SCREW PTB 3X8(NI)		1		
057	SE9076146A	šroub		4		
058	SE024J9040	PACKING		4		
059	SE00000408	SPEAKER PANEL ASS'Y		1		panel DMR106 DMR112
060	SE00000670	SPEAKER RIGHT ASS'Y(Y)		1		reproduktor
061	SE00000406	SPEAKER PACKING		1		panel
062	SE00000416	TERMINAL E (B)		1		terminal B
063	SE00000325	SCREW PTB 3X8(NI)		2		
064	SE00000200	TERMINAL C		1		terminal
065	SE00000325	SCREW PTB 3X8(NI)		2		
066	SE00000193	SCREW 3X10		2		
067	SE00000671	PCB-B AUX IN 2 ASS'Y		1		elektronika
068	SE00000199	SILICON RUBBER WASHER		1		
069	SE00000325	SCREW PTB 3X8(NI)		1		
070	SE00000199	SILICON RUBBER WASHER		1		
071	SE00000325	SCREW PTB 3X8(NI)		1		
072	SE00000422	SPEAKER HOLDER		1		dr
073	SE00000406	SPEAKER PACKING		1		panel
074	SE00000672	SPEAKER LEFT ASS'Y(W)		1		reproduktor
075	SE00000408	SPEAKER PANEL ASS'Y		1		panel DMR106 DMR112
076	SE024J9040	PACKING		4		
077	SE9076146A	šroub		4		
078	SE00000430	SWITCH KNOB		1		knofl
079	SE00000673	PCB D BATTERY SWITCH ASS'Y		1		elektronika
080	SE00000674	PCB G UPDATE USB ASS'Y		1		elektronika
081	SE00000193	SCREW 3X10		2		
082	SE00000325	SCREW PTB 3X8(NI)		2		
083	SE00000473	TERMINAL 10.8V ASSY 011 WA1		1		
084	SE00000325	SCREW PTB 3X8(NI)		2		
085	SE00000675	PCB F DC JACK ASS'Y		1		konektor nap
086	SE09090011	SCREW 1.7		2		
087	SE00000435	DC JACK HOLDER		1		dr
088	SE00000195	W/TIES 100MM		3		
089	SE024PC040	PACKING		1		
A01	SE00000101	AC ADAPTER		1		

Prosím uveďte objednáčíslo dílu v objednávce

Datum tisku 22. 10. 2024