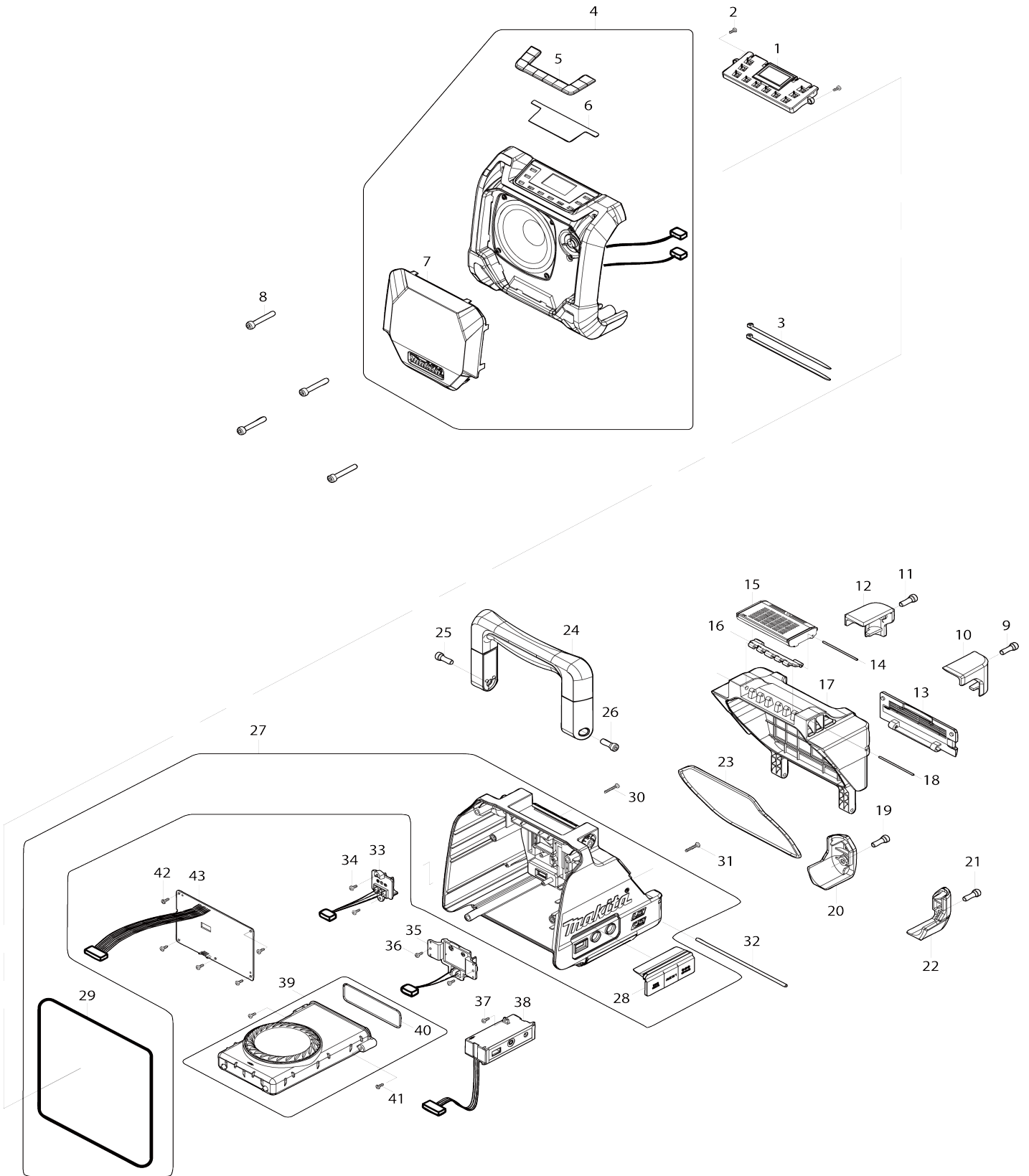


Model No.DMR202 CORDLESS JOB SITE SPEAKER



Model No.DMR202 CORDLESS JOB SITE SPEAKER

Obj. č.	Obj. č.	Popis	Možnost záměny	Množství	Nový/Stary	Poznámka 1	Poznámka 2
001	SE00000632	CIRCUIT BOARD C ASSY(KEYBOARD)		1		deska	
002	SE00000521	SCREW PTB 3X8(ZK) 29S16308001		2			
003	SE00000195	W/TIES 100MM		2			
004	SE00000635	FRONT CABINET-BLUE 01F BA1		1		p	
004		INC. 5-7					
005	SE00000633	RUBBERE KEY 3100 B0000010		1		krytka	
006	SE00000634	DISPLAY PLATE 3150 B0000010		1		deska	
007	SE00000637	SPEAKER GRILL 01K BA1		1		m	
008	SE00000530	SCREW PTHE 6X37(CR) 29S1793701		4			
009	SE09176166	šroub M6x16 BMR100		1			
010	SE00000531	BATTERY BUMPER R 3163B30000010		1		doraz baterie R	
011	SE09176166	šroub M6x16 BMR100		1			
012	SE00000532	BATTERY BUMPER L 3162B30000010		1		doraz baterie L	
013	SE00000534	PHONE COVER ASS'Y 011B3A5		1		kryt telefonu	
014	SE00000533	PIN D2X88 2100B300100		1			
015	SE00000535	LOCKER COVER 3121B30000010		1		z	
016	SE00000536	LOCKER HINGE 3300B30000010		1		uchycen	
017	SE00000537	BATTERY COVER (BLUE) 3120B3000		1		kryt baterie	
018	SE00000539	PIN D2X77 2100B300200		1			
019	SE09176166	šroub M6x16 BMR100		1			
020	SE00000540	REAR BUMPER L 3160B30000010		1		doraz	
021	SE09176166	šroub M6x16 BMR100		1			
022	SE00000541	REAR BUMPER R 3161B30000010		1		doraz	
023	SE00000542	BATTERY PACKING 2400B300200		1		obal	
024	SE00000543	HANDLE ASS'Y-BLUE 01HB3A1		1		dr	
025	SE09176166	šroub M6x16 BMR100		1			
026	SE09176166	šroub M6x16 BMR100		1			
027	SE00000649	REAR ASS'Y BLUE 01RCAA1		1	*		
027		INC. 28,29			*		
027-1	SE00000790	REAR ASS'Y BLUE	O	1			
027-1		INC. 28,29					
028	SE00000547	JACK RUBBER COVER 3126B3000001		1	*	krytka z	
028-1	SE00000787	JACK RUBBER COVER	X	1	*		
028-2	SE00000810	JACK RUBBER COVER	O	1		kryt	
029	SE024PC040	PACKING		1			
030	SE00000548	SCREW PTB 3X20(ZK) 29S09990047		1			
031	SE00000548	SCREW PTB 3X20(ZK) 29S09990047		1			
032	SE00000549	BATTERY COVER FIXER PIN 2100b3		1			
033	SE00000651	TERMINAL 10.8V ASSY 011 AA1		1		kontakt	
034	SE00000521	SCREW PTB 3X8(ZK) 29S16308001		2			

035	SE00000652	TERMINAL D ASSY 011 AA2		1		kontakt D	
036	SE00000521	SCREW PTB 3X8(ZK) 29S1630800 1		2			
037	SE00000521	SCREW PTB 3X8(ZK) 29S1630800 1		1			
038	SE00000654	JACK HOLDER ASS'Y-BLUE 011 AA 3		1		dr	
039	SE00000555	MOBILE-PHONE-CASE ASS'Y 011 B3A		1		kryt mobilu	
039		INC. 40					
040	SE00000556	PHONE CASE PACKING 2400B30 0400		1		t	
041	SE00000557	SCREW PTPW 3X10(ZK) 29S15310 00		2			
042	SE00000521	SCREW PTB 3X8(ZK) 29S1630800 1		5			
043	SE00000639	PCB A ASS'Y DMR202 07A BA2		1		deska DMR202	
A01	SE00000501	AC ADAPTER (CE) 3A8A12C133B1 1		1	*		
A01-1	SE00000792	AC ADAPTER (CE)	O	1			

Prosím uveďte objednáčíslo dílu v objednávce

Datum tisku 22. 10. 2024