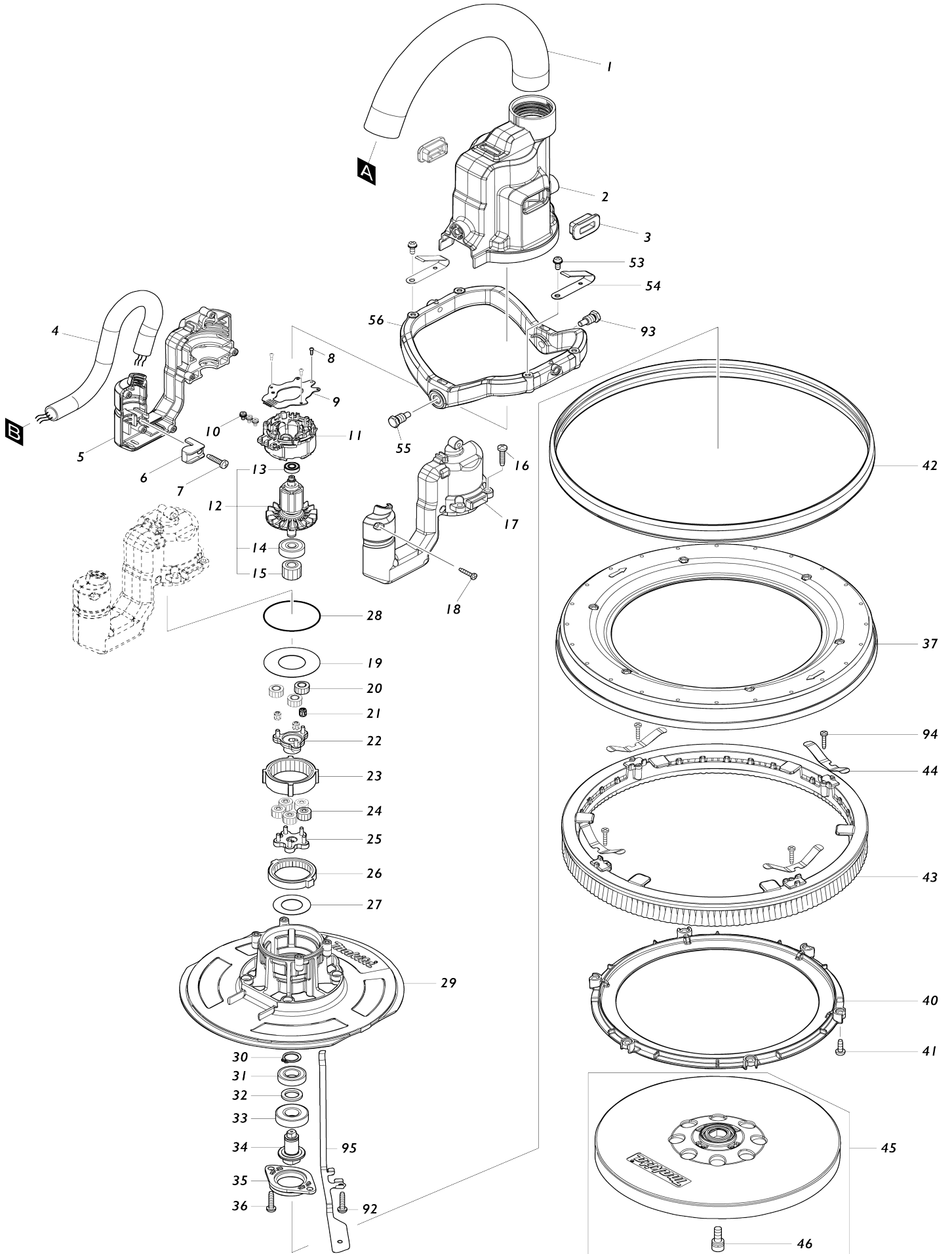
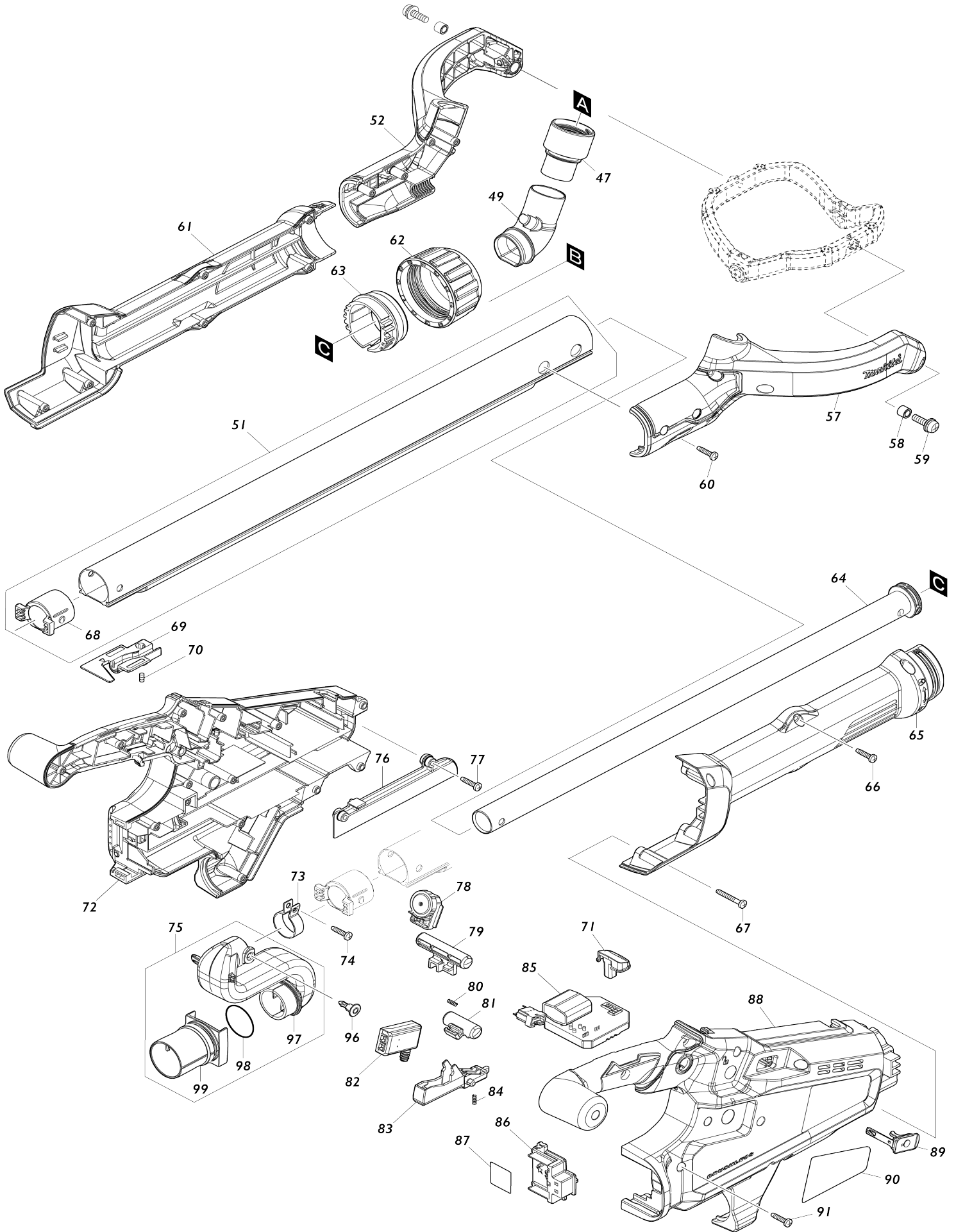


# Model No.DSL801 225MM CORDLESS DRYWALL SANDER



# Model No.DSL801 225MM CORDLESS DRYWALL SANDER



**Model No.DSL801 225MM CORDLESS DRYWALL SANDER**

Obj. č.	Obj. č.	Popis	Možn ost zá měny	Množ ství	Nový/ Starý	Poznámka 1	Poznámka 2
001	245058-4	HOSE 28-0.25		1		hadice 28-0.25	
002	459217-6	HEAD COVER		1	*	kryt	
002-1	413L14-6	HEAD COVER	<	1			
003	422446-4	RUBBER CAP		2		v	
004	699129-3	POWER SUPPLY CORD UNIT		1	*	kabel	
004-1	699245-1	POWER SUPPLY CORD UNIT	<	1			
005	183L77-3	MOTOR HOUSING SET		1		obal motoru	
005		INC. 17					
006	687261-5	STRAIN RELIEF		1			
007	265995-6	šroub 4x18 = old 265941-9		1			
008	266490-9	TAPPING SCREW PT 2X6		3			
009	620B02-8	CONTROLLER B		1		ovl	
010	652069-6	FLAT HEAD SCREW M3X6		3			
011	629409-3	STATOR		1		stator	
012	519568-0	ROTOR ASSY		1			
012		INC. 13-15					
013	210039-7	BALL BEARING 695DDW		1		lo	
014	210023-2	kuličkové ložisko 627 DDW		1			
015	226888-2	SPUR GEAR 19		1			
016	265995-6	šroub 4x18 = old 265941-9		4			
017	183L77-3	MOTOR HOUSING SET		1		obal motoru	
017		INC. 5					
018	266429-2	TAPPING SCREW 3X16		6			
019	253437-2	FLAT WASHER 23		1		podlol	
020	226886-6	SPUR GEAR 14		3		ozuben	
021	212131-5	NEEDLE CAGE 307		3		klec DFL650 DFL651	
022	140J82-1	SPUR GEAR 17 COMPLETE		1		ozuben	
023	226890-5	INTERNAL GEAR 47		1		vnit	
024	226885-8	SPUR GEAR 13		5		ozuben	
025	140J81-3	CARRIER COMPLETE		1		nosi	
026	226889-0	INTERNAL GEAR 43		1		vnit	
027	267789-5	FLAT WASHER 18		1		podlo	
028	213606-7	o-kroužek 48		1		o-krou	
029	413828-1	GEAR HOUSING		1		obal p	
030	961052-5	segrovka vnější S-12		1		segrovka	
031	211150-8	ložisko 6935FD		1			
032	253746-9	FLAT WASHER 12		1			
033	210105-0	ložisko PW5000CH		1		lo	
034	327318-7	SPINDLE		1		v	
035	319823-8	BEARING RETAINER 47		1		vymezova	
036	265995-6	šroub 4x18 = old 265941-9		2			
037	413488-9	COVER		1		kryt DSL801	
C10	931102-0	matka M4		6		matka M4	
040	413489-7	BRUSH STOPPER		1		dr	
041	911123-8	šroub M4x14		6			
042	422729-2	RUBBER GUARD		1		gumov	
043	743127-0	BRUSH		1		kart	
044	232510-1	LEAF SPRING		4		pru	

045	199939-3	PAD 210 SET		1		
045		INC. 46				
046	922323-5	HEX.SOCKET HEAD BOLT M6X16		1		
047	413490-2	HOSE CONNECTOR		1		adapt
049	422617-3	JOINT		1		spojovac
051	140N60-5	PIPE A COMPLETE		1		trubka
051		INC. 68				
052	183T15-3	ARM SET		1		rameno sada DSL801
052		INC. 57				
053	911113-1	šroub M4x10		2		
054	232534-7	LEAF SPRING		2		pru
055	265A35-6	HEX. BOLT M8X17		1	*	
055-1	265A68-1	HEX. BOLT M8X22	>	1		
056	319808-4	FRAME		1		r
057	183T15-3	ARM SET		1		rameno sada DSL801
057		INC. 52				
058	262561-0	SLEEVE 6		2		
059	911334-5	PAN HEAD SCREW M6X20		2		
060	265995-6	šroub 4x18 = old 265941-9		4		
061	183L78-1	PIPE HOUSING SET		1		trubka
061		INC. 65				
062	459226-5	LOCK RING		1		krou
063	140J84-7	LOCK SLEEVE COMPLETE		1		pouzdro
064	140L61-1	PIPE B COMPLETE		1		trubka
C10	459225-7	PIPE STOPPER B		1		
065	183L78-1	PIPE HOUSING SET		1		trubka
065		INC. 61				
066	265995-6	šroub 4x18 = old 265941-9		4		
067	266050-7	šroub 4x30		3		
068	459224-9	PIPE STOPPER A		1		trubka
069	459228-1	CORD HOLDER		1		dr
070	913106-4	Set Screw M4x8		1		Set Screw M4x8
071	140J83-9	INDICATOR PANEL COMPLETE		1		ukazatel
072	183L75-7	HANDLE SET		1		dr
C10	263005-3	vymezovací čep 6		2		
072		INC. 88				
073	346248-3	CLAMP 24		1		spona 24
074	265995-6	šroub 4x18 = old 265941-9		1		
075	127672-7	DUST NOZZLE ASSY		1		ods
075		INC. 97-99			*	
076	459229-9	CORD COVER		1		kryt
077	265995-6	šroub 4x18 = old 265941-9		2		
078	620796-3	DIAL CIRCUIT		1		elektronika=new620 H67-6
079	459230-4	LOCK OFF BUTTON		1		tla
080	231433-0	vinutá pružina		1		vinut
081	419705-5	LOCK ON BUTTON		1		p
082	651083-9	SWITCH C3XA-1PSPM		1		vyp
083	459231-2	SWITCH LEVER		1		p
084	231433-0	vinutá pružina		1		vinut
085	620B01-0	CONTROLLER		1		ovl
086	644809-6	TERMINAL		1		kontakt

087	811L28-3	DSL801 SERIAL NO. LABEL		1		
088	183L75-7	HANDLE SET		1		dr
C10	263005-3	vymezovací čep 6		2		
088		INC. 72				
089	140F99-0	CAP COMPLETE		1		v
C10	213218-6	o kroužek		1		o krou
C20	818H07-8	CAP LABEL		1		
090	811L21-7	DSL801 NAME PLATE		1		
091	265995-6	šroub 4x18 = old 265941-9		10		
092	265995-6	šroub 4x18 = old 265941-9		4		
093	265A68-1	HEX. BOLT M8X22		1		
094	266429-2	TAPPING SCREW 3X16		4		
095	347816-5	EARTH PLATE A		1		plech A DSL801
096	412987-8	RIVET 7		1		n
097	412812-3	DUST NOZZLE A		1	*	
098	213459-4	o-kroužek 32		1	*	o-krou
099	412813-1	DUST NOZZLE B		1	*	
A01	B-68404	ABRASIVE PAPER DISC 225-120		1		
A02	783217-7	HEX. WRENCH 5		1		
A03	195638-5	TOOL BAG SET		1		
A04	835B53-0	INNER TRAY		1		
A05	198900-7	WIRELESS UNIT SET		1	*	
A05-1	198900-7	WIRELESS UNIT SET	<	1	*	
A05-2	198900-7	WIRELESS UNIT SET	<	1	*	
A05-3	198900-7	WIRELESS UNIT SET	O	1	*	
A05-4	198900-7	WIRELESS UNIT SET	<	1		
A06	450128-8	kryt baterie		2		
A07	***DC18RC	DC18RC FAST CHARGER		1		
A07		COMPO-PARTS				
A08	197280-8	BATTERY BL1850B SET		2		
F01-2	198900-7	WIRELESS UNIT SET	<	1	*	
F01-3	198900-7	WIRELESS UNIT SET	O	1	*	
F01-4	198900-7	WIRELESS UNIT SET	<	1		
F04	199937-7	EXTENSION HANDLE SET		1		
F05	199938-5	PAD 220 SET		1		
F06	199939-3	PAD 210 SET		1		
F07	199940-8	PAD 210 SET		1		

Prosím uveďte objednáčíslo dílu v objednávce

Datum tisku 22. 10. 2024