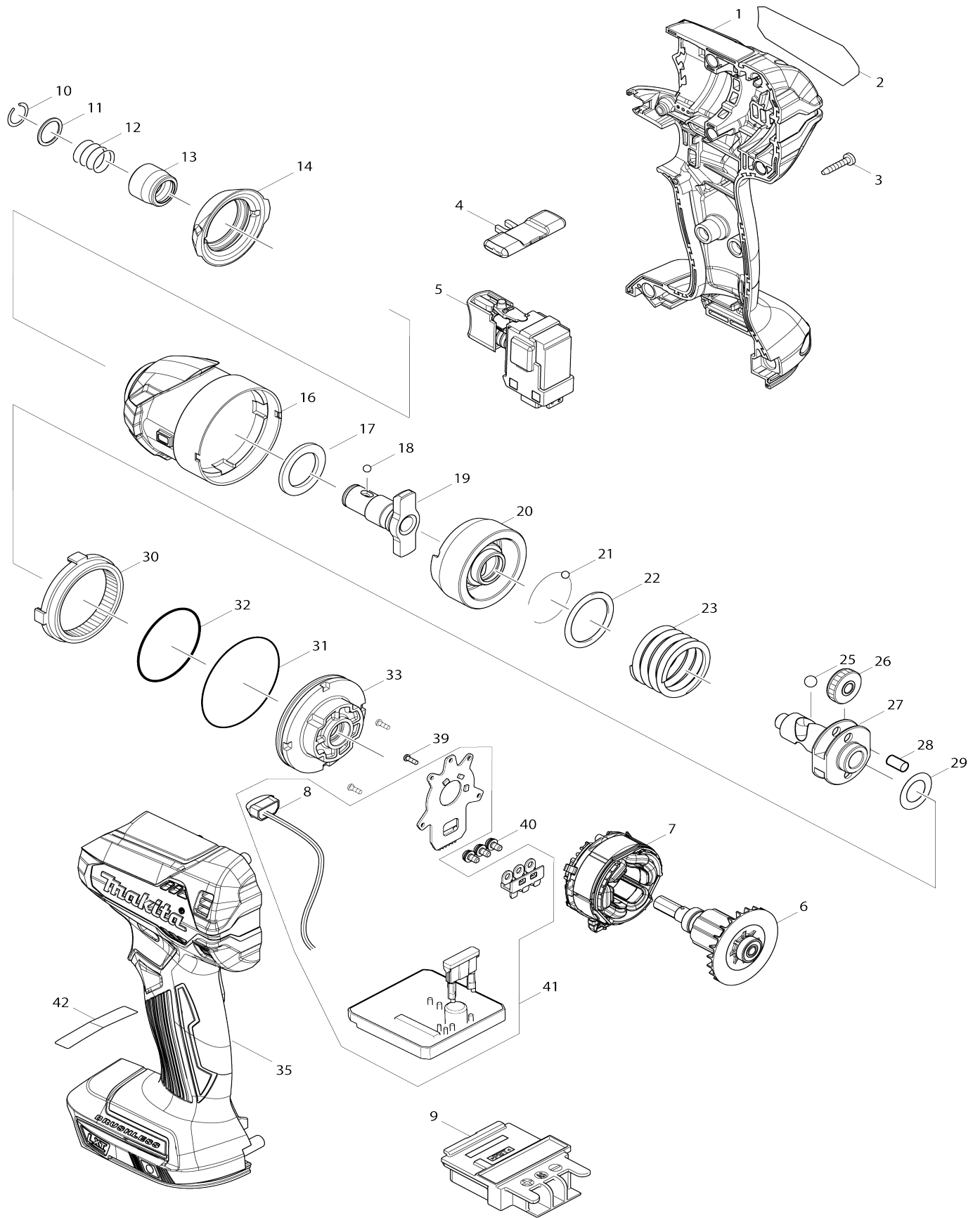


Model No.DTD153 CORDLESS IMPACT DRIVER



Model No.DTD153 CORDLESS IMPACT DRIVER

Obj. č.	Obj. č.	Popis	Možn ost zá měny	Množ ství	Nový/ Starý	Poznámka 1	Poznámka 2
001	183E35-7	HOUSING SET		1		obal stroje DTD153	
C10	263005-3	vymezovací čep 6		2			
C20	252126-6	HEX. LOCK NUT M4-7		2	*	matka	
001		INC. 35					
002	852K79-1	DTD153 NAME PLATE		1	*		
002-1	857L39-4	DTD153 NAME PLATE	S	1			
003	266429-2	TAPPING SCREW 3X16		9	*		
003-1	266130-9	šroub PT 3X	O	9			
004	455053-8	F/R CHANGE LEVER		1		p	
005	143975-1	SWITCH COMPLETE		1	*	vyp	
005-1	141N42-0	SWITCH COMPLETE	O	1			
006	619404-1	ROTOR		1	*	rotor DTD153	
006-1	619404-1	ROTOR	O	1		rotor DTD153	
007	629224-5	STATOR		1		stator	
008	620557-1	LED CIRCUIT		1			
009	643860-3	TERMINAL		1		patice	
010	231951-8	pojistný kroužek 11		1		pojistn	
011	267085-1	podložka 12		1		podlo	
012	233005-7	vinutá pružina 13		1		vinut	
013	326072-0	kroužek upínání		1		krou	
014	424888-8	BUMPER		1		krou	
016	143957-3	HAMMER CASE COMPLETE		1		obal stroje DTD153	
017	261151-6	NYLON WASHER 19		1		podlo	
018	216040-0	STEEL BALL 3.5		2		kuli	
019	326565-7	ANVIL M		1		podp	
020	326564-9	HAMMER		1		klad	
021	216040-0	STEEL BALL 3.5		24		kuli	
022	267175-0	podložka 6914D		1		podlo	
023	234251-5	COMPRESSION SPRING 25		1		pru	
025	216041-8	STEEL BALL 5.6		2		kuli	
026	227362-3	SPUR GEAR 22		2		ozuben	
027	326562-3	SPINDLE		1		v	
028	256253-1	čep 5 6918D		2			
029	253314-8	podložka 15		1		podlo	
030	227378-8	INTERNAL GEAR 51		1		ozuben	
031	213606-7	o-kroužek 48		1		o-krou	
032	213507-9	o-kroužek 40		1		o-krou	
033	143958-1	BEARING BOX COMPLETE		1		pouzdro lo	
035	183E35-7	HOUSING SET		1		obal stroje DTD153	
C10	263005-3	vymezovací čep 6		2			
C20	252126-6	HEX. LOCK NUT M4-7		2	*	matka	
035		INC. 1					
039	266490-9	TAPPING SCREW PT 2X6		3	*		
039-1	265C47-1	TAPPING SCREW PT 2X6	O	3			
040	652069-6	FLAT HEAD SCREW M3X6		3			
041	620563-6	CONTROLLER		1	*	ovlada	
041		INC. 8			*		
041-1	620J73-3	CONTROLLER	O	1	*		

041-1		INC. 8			*		
041-2	620563-6	CONTROLLER	O	1		ovlada	
041-2		INC. 8					
043	857L40-9	DTD153 SERIAL NO. LABEL	S	1			
A01	266622-8	+ TRUSS HEAD SCREW M4X12		1			
A02	346317-0	háček BDF/BHP446_456		1		h	
A03	450128-8	kryt baterie		1			
A04	***DC18RC	DC18RC FAST CHARGER		1			
A04		COMPO-PARTS					
A05	197600-6	BATTERY BL1830B SET		2	*		
A05	197280-8	BATTERY BL1850B SET		2	*		
A05	197265-4	BATTERY BL1840B SET		2	*		
A05-1	197600-6	BATTERY BL1830B SET	O	2			
A05-1	197280-8	BATTERY BL1850B SET	O	2			
A05-1	197265-4	BATTERY BL1840B SET	O	2			
A06	821550-0	systainer Makpac 395x295x157 mm		1			
C10	453974-8	LATCH		4		spona Makpacu	
A06	141856-3	PLASTIC CARRYING CASE COMPLETE		1			
C10	162302-3	spona		2		spona	
A07	837670-0	INNER TRAY		1			
A08	809T94-0	DTD153RFJ INDICATION LABEL		1	*		
A08	809T99-0	DTD153RTJ INDICATION LABEL		1	*		
A08	810T06-8	DTD153RMJ INDICATION LABEL		1	*		
A08-1	819Y15-4	DTD153RFJ INDICATION LABEL	O	1			
A08-1	819Y19-6	DTD153RTJ INDICATION LABEL	O	1			
A08-1	819Y17-0	DTD153RMJ INDICATION LABEL	O	1			
A09	809T95-8	DTD153RFJ PLASTIC CASE LABEL		2	*		
A09	809U00-1	DTD153RTJ PLASTIC CASE LABEL		2	*		
A09	810T07-6	DTD153RMJ PLASTIC CASE LABEL		2	*		
A09-1	809T98-2	DTD153RFJ PLASTIC CASE LABEL	O	2	*		
A09-1	809U03-5	DTD153RTJ PLASTIC CASE LABEL	O	2	*		
A09-1	819Y18-8	DTD153RMJ PLASTIC CASE LABEL	O	2			
A09-2	819Y16-2	DTD153RFJ PLASTIC CASE LABEL	O	2			
A09-2	819Y20-1	DTD153RTJ PLASTIC CASE LABEL	O	2			
F02	194281-7	STOPPER SET (W/BITS)		1			
F04	194649-7	BATTERY PROTECTOR		1			
F05	194654-4	HOOK SET		1			
F06-1	197043-2	TOOL HANGER SET	O	1		dr	

Prosím uveďte objednací číslo dílu v objednávce

Datum tisku 22. 10. 2024