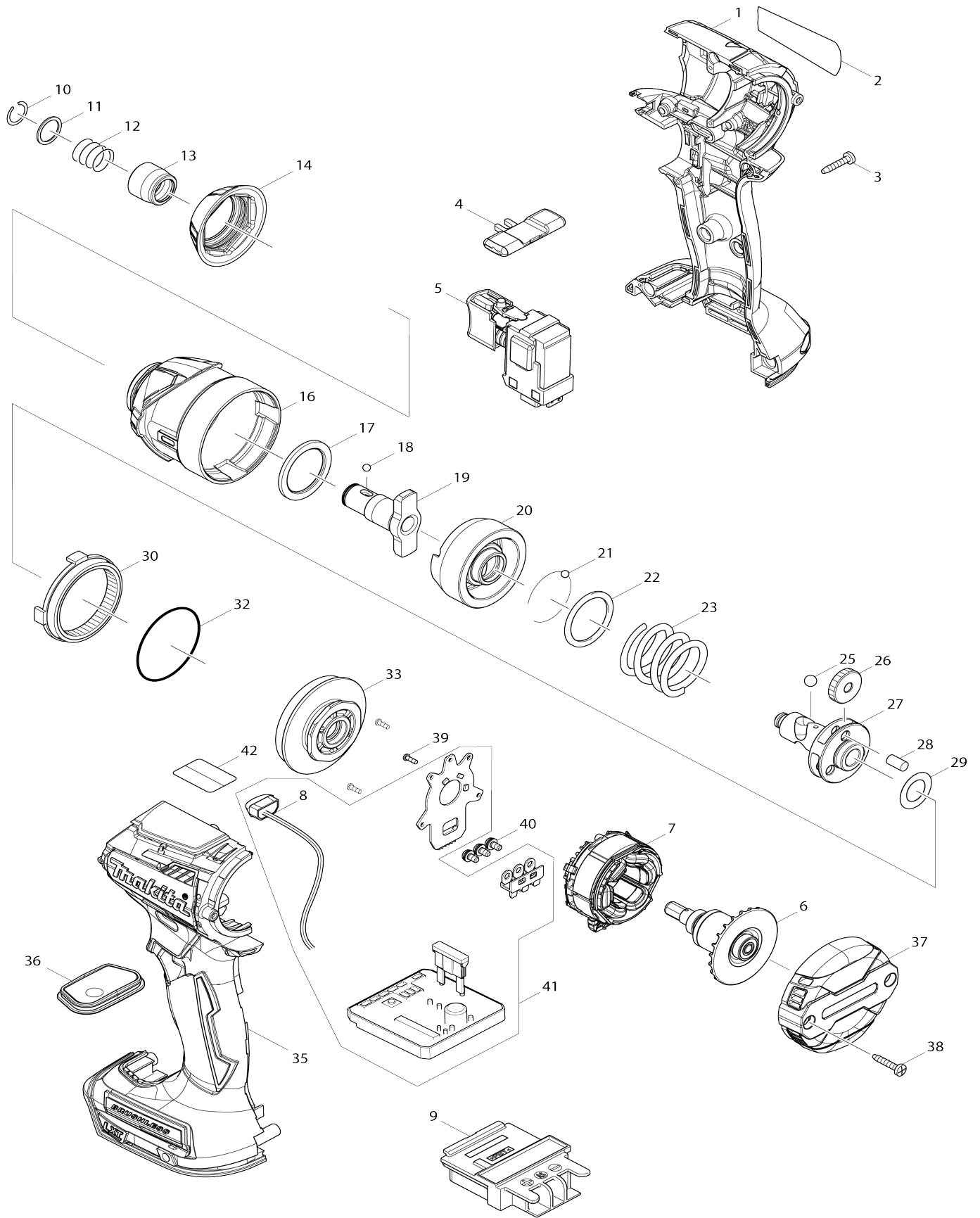


# Model No.DTD154 CORDLESS IMPACT DRIVER



**Model No.DTD154 CORDLESS IMPACT DRIVER**

| Obj. č. | Obj. č.  | Popis                 | Možn<br>ost zá<br>měny | Množ<br>ství | Nový/<br>Starý | Poznámka 1                      | Poznámka 2 |
|---------|----------|-----------------------|------------------------|--------------|----------------|---------------------------------|------------|
| 001     | 183E36-5 | HOUSING SET           |                        | 1            | *              | sk                              |            |
| C10     | 263005-3 | vymezovací čep 6      |                        | 2            | *              |                                 |            |
| C20     | 252126-6 | HEX. LOCK NUT M4-7    |                        | 2            | *              | matka                           |            |
| 001     |          | INC. 35               |                        |              | *              |                                 |            |
| 001-1   | 183E36-5 | HOUSING SET           | O                      | 1            |                | sk                              |            |
| C10     | 263005-3 | vymezovací čep 6      |                        | 2            |                |                                 |            |
| 001-1   |          | INC. 35               |                        |              |                |                                 |            |
| 002     | 852L16-1 | DTD154 NAME PLATE     |                        | 1            | *              |                                 |            |
| 002-1   | 857J30-0 | DTD154 NAME PLATE     | S                      | 1            |                |                                 |            |
| 003     | 266429-2 | TAPPING SCREW 3X16    |                        | 8            | *              |                                 |            |
| 003-1   | 266130-9 | šroub PT 3X           | O                      | 8            |                |                                 |            |
| 004     | 455053-8 | F/R CHANGE LEVER      |                        | 1            |                | p                               |            |
| 005     | 143975-1 | SWITCH COMPLETE       |                        | 1            |                | vyp                             |            |
| 006     | 619408-3 | ROTOR                 |                        | 1            |                | rotor DTD154=old619<br>419-8    |            |
| 007     | 629217-2 | STATOR                |                        | 1            |                | stator DTD154 DTD1<br>70 DTD171 |            |
| 008     | 620557-1 | LED CIRCUIT           |                        | 1            |                |                                 |            |
| 009     | 643860-3 | TERMINAL              |                        | 1            |                | patice                          |            |
| 010     | 231951-8 | pojistný kroužek 11   |                        | 1            |                | pojistn                         |            |
| 011     | 267085-1 | podložka 12           |                        | 1            |                | podlo                           |            |
| 012     | 233005-7 | vinutá pružina 13     |                        | 1            |                | vinut                           |            |
| 013     | 326072-0 | kroužek upínání       |                        | 1            |                | krou                            |            |
| 014     | 424873-1 | BUMPER                |                        | 1            |                | krou                            |            |
| 016     | 143951-5 | HAMMER CASE COMPLETE  |                        | 1            |                | obal DTD154                     |            |
| 017     | 261155-8 | NYLON WASHER 24       |                        | 1            |                | podlo                           |            |
| 018     | 216001-0 | kulička 3.5           |                        | 2            | *              |                                 |            |
| 018-1   | 216040-0 | STEEL BALL 3.5        | O                      | 2            |                | kuli                            |            |
| 019     | 326508-9 | ANVIL M               |                        | 1            |                | v                               |            |
| 020     | 326711-2 | HAMMER                |                        | 1            | *              |                                 |            |
| 020-1   | 327155-9 | HAMMER                | O                      | 1            |                |                                 |            |
| 021     | 216001-0 | kulička 3.5           |                        | 24           | *              |                                 |            |
| 021-1   | 216040-0 | STEEL BALL 3.5        | O                      | 24           |                | kuli                            |            |
| 022     | 267175-0 | podložka 6914D        |                        | 1            |                | podlo                           |            |
| 023     | 234331-7 | COMPRESSION SPRING 24 |                        | 1            |                | pru                             |            |
| 025     | 216041-8 | STEEL BALL 5.6        |                        | 2            |                | kuli                            |            |
| 026     | 227338-0 | SPUR GEAR 22          |                        | 3            |                | ozuben                          |            |
| 027     | 326783-7 | SPINDLE               |                        | 1            |                | v                               |            |
| 028     | 268311-1 | PIN 5                 |                        | 3            |                |                                 |            |
| 029     | 253314-8 | podložka 15           |                        | 1            |                | podlo                           |            |
| 030     | 221457-4 | INTERNAL GEAR 51      |                        | 1            |                | ozuben                          |            |
| 032     | 213507-9 | o-kroužek 40          |                        | 1            |                | o-krou                          |            |
| 033     | 143976-9 | BEARING BOX COMPLETE  |                        | 1            |                | pouzdro lo                      |            |
| 035     | 183E36-5 | HOUSING SET           |                        | 1            | *              | sk                              |            |
| C10     | 263005-3 | vymezovací čep 6      |                        | 2            | *              |                                 |            |
| C20     | 252126-6 | HEX. LOCK NUT M4-7    |                        | 2            | *              | matka                           |            |
| 035     |          | INC. 1                |                        |              | *              |                                 |            |
| 035-1   | 183E36-5 | HOUSING SET           | O                      | 1            |                | sk                              |            |
| C10     | 263005-3 | vymezovací čep 6      |                        | 2            |                |                                 |            |

|       |           |                                 |   |   |   |                    |
|-------|-----------|---------------------------------|---|---|---|--------------------|
| 035-1 |           | INC. 1                          |   |   |   |                    |
| 036   | 143954-9  | SWITCH PLATE COMPLETE           |   | 1 |   | deska vyp          |
| 037   | 457069-9  | REAR COVER                      |   | 1 |   | kryt               |
| 038   | 266429-2  | TAPPING SCREW 3X16              |   | 2 | * |                    |
| 038-1 | 266130-9  | šroub PT 3X                     | O | 2 |   |                    |
| 039   | 266490-9  | TAPPING SCREW PT 2X6            |   | 3 | * |                    |
| 039-1 | 265C47-1  | TAPPING SCREW PT 2X6            | O | 3 |   |                    |
| 040   | 652069-6  | FLAT HEAD SCREW M3X6            |   | 3 |   |                    |
| 041   | 620564-4  | CONTROLLER                      |   | 1 |   | elektronika DTD154 |
| 041   |           | INC. 8                          |   |   |   |                    |
| 043   | 857J31-8  | DTD154 SERIAL NO. LABEL         | S | 1 |   |                    |
| A01   | 266622-8  | + TRUSS HEAD SCREW M4X12        |   | 1 |   |                    |
| A02   | 346317-0  | háček BDF/BHP446_456            |   | 1 |   | h                  |
| A03   | 450128-8  | kryt baterie                    |   | 1 |   |                    |
| A04   | ***DC18RC | DC18RC FAST CHARGER             |   | 1 |   |                    |
| A04   |           | COMPO-PARTS                     |   |   |   |                    |
| A05   | 197600-6  | BATTERY BL1830B SET             |   | 2 | * |                    |
| A05   | 197280-8  | BATTERY BL1850B SET             |   | 2 | * |                    |
| A05   | 197265-4  | BATTERY BL1840B SET             |   | 2 | * |                    |
| A05-1 | 197600-6  | BATTERY BL1830B SET             | O | 2 |   |                    |
| A05-1 | 197280-8  | BATTERY BL1850B SET             | O | 2 |   |                    |
| A05-1 | 197265-4  | BATTERY BL1840B SET             | O | 2 |   |                    |
| A06   | 821550-0  | systainer Makpac 395x295x157 mm |   | 1 |   |                    |
| C10   | 453974-8  | LATCH                           |   | 4 |   | spona Makpacu      |
| A06   | 824979-9  | plastový kufr                   |   | 1 |   |                    |
| C10   | 162302-3  | spona                           |   | 2 |   | spona              |
| A07   | 837670-0  | INNER TRAY                      |   | 1 |   |                    |
| A08   | 809W25-7  | DTD154RFJ INDICATION LABEL      |   | 1 |   |                    |
| A08   | 809W30-4  | DTD154RTJ INDICATION LABEL      |   | 1 |   |                    |
| A08   | 810X24-0  | DTD154RMJ INDICATION LABEL      |   | 1 |   |                    |
| A09   | 809W26-5  | DTD154RFJ PLASTIC CASE LABEL    |   | 2 | * |                    |
| A09   | 809W31-2  | DTD154RTJ PLASTIC CASE LABEL    |   | 2 | * |                    |
| A09   | 810X25-8  | DTD154RMJ PLASTIC CASE LABEL    |   | 2 |   |                    |
| A09-1 | 809W29-9  | DTD154RFJ PLASTIC CASE LABEL    | O | 2 |   |                    |
| A09-1 | 809W33-8  | DTD154RTJ PLASTIC CASE LABEL    | O | 2 |   |                    |
| F02   | 194281-7  | STOPPER SET (W/BITS)            |   | 1 |   |                    |
| F04   | 194649-7  | BATTERY PROTECTOR               |   | 1 |   |                    |
| F05   | 194654-4  | HOOK SET                        |   | 1 |   |                    |
| F06-1 | 197043-2  | TOOL HANGER SET                 | O | 1 |   | dr                 |

Prosím uveďte objednávací číslo dílu v objednávce

Datum tisku 22. 10. 2024