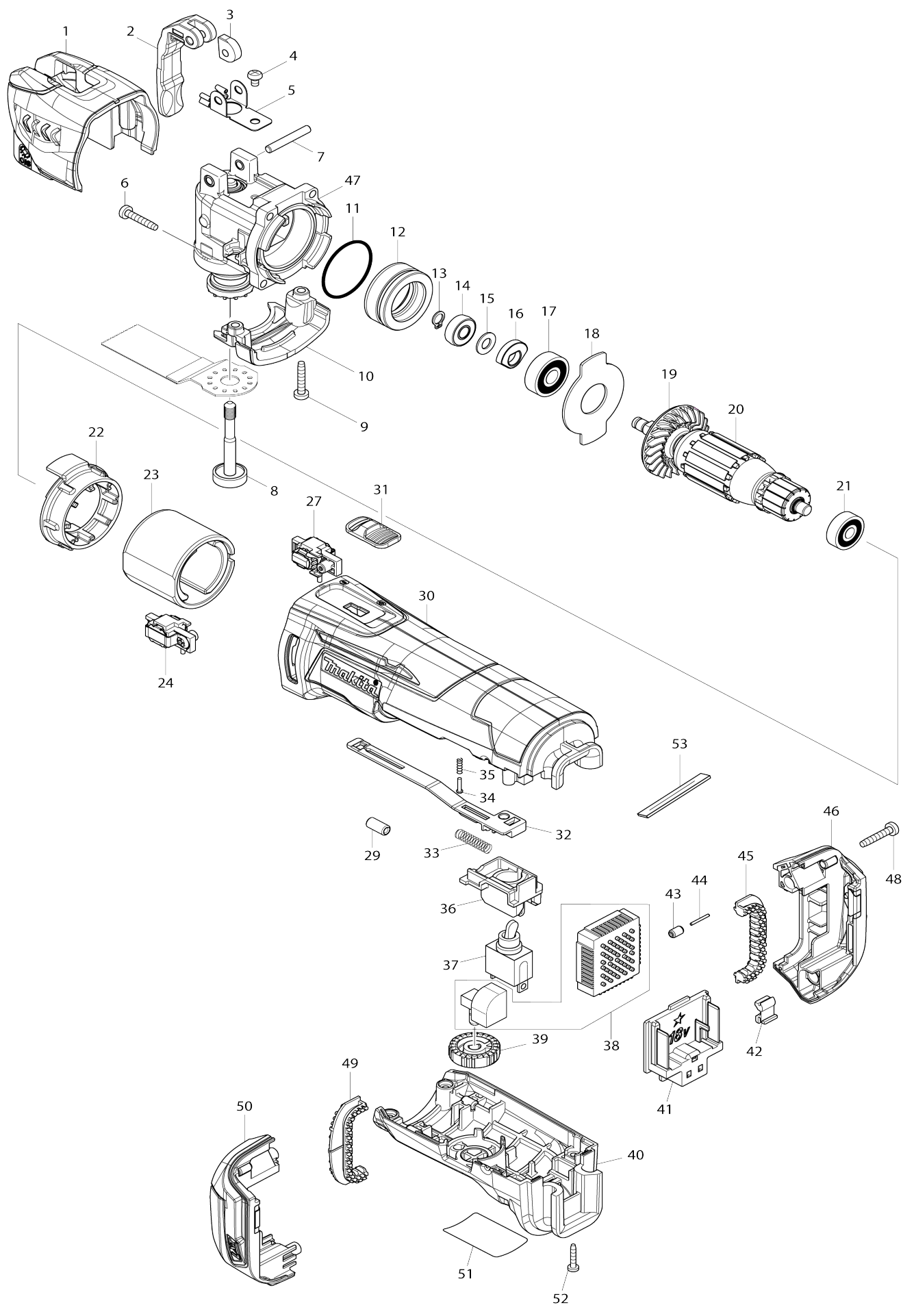


Model No.DTM51 CORDLESS MULTI TOOL



Model No.DTM51 CORDLESS MULTI TOOL

Obj. č.	Obj. č.	Popis	Možn ost zá měny	Množ ství	Nový/ Starý	Poznámka 1	Poznámka 2
001	455272-6	UPPER HEAD COVER		1		horn	
002	319059-9	LEVER		1		p	
003	313268-2	TURN BLOCK		1		p	
004	911102-6	PAN HEAD SCREW M4X6		1			
005	232282-8	LEAF SPRING		1		pru	
006	266424-2	TAPPING SCREW 4X20		4	*		
006-1	265D38-8	TAPPING SCREW 4X20	O	4			
007	268306-4	PIN 5		1			
008	326409-1	HOLDER BOLT		1	*		
008-1	327177-9	HOLDER BOLT	<	1			
009	266424-2	TAPPING SCREW 4X20		2	*		
009-1	265D38-8	TAPPING SCREW 4X20	O	2			
010	454635-3	LOWER HEAD COVER		1		spodn	
011	213343-3	o kroužek FS2700=old213486-1		1	*	o krou	
011-1	213A08-3	O RING 35	O	1		o krou	
012	326347-7	BEARING BOX		1		ulo	
013	961003-8	segrovka S-7		1		segrovka S-7	
014	211392-4	SPHERE BEARING 706		1	*		
014-1	210164-4	SPHERE BEARING 706	O	1		lo	
015	253133-2	podložka 7 JS1650		1		podlo	
016	313245-4	BALANCER		1		pr	
017	211092-6	kuličkové ložisko 629DDW		1			
017-1	210334-5	BALL BEARING 629DDW	O	1			
018	285857-2	BEARING RETAINNER		1		veden	
019	240140-4	FAN 46		1			
020	519338-7	ARMATURE ASS'Y 18V		1		rotor DTM51	
020		INC. 19,21					
021	210023-2	kuličkové ložisko 627 DDW		1			
021-1	210333-7	BALL BEARING 627DDW	O	1			
022	455017-2	BUFFLE PLATE		1		kryt statoru DTM51	
023	632B69-4	YOKE UNIT		1		stator DTM51	
024	632B88-0	BRUSH HOLDER COMPLETE		1		dr	
027	632B89-8	BRUSH HOLDER COMPLETE		1		dr	
029	688161-2	LINE FILTER		1			
030	455013-0	MOTOR HOUSING		1		obal motoru DTM51	
031	455016-4	SWITCH KNOB		1		t	
032	455015-6	SWITCH LEVER		1		t	
033	234263-8	COMPRESSION SPRING 5		1		pru	
034	255058-6	čep 2		1			
035	233002-3	vinutá pružina		1		vinut	
036	455018-0	SWITCH CASE		1		dr	
037	651423-1	vypínač HM0860C		1	*	vyp	
037-1	651423-1	vypínač HM0860C	O	1		vyp	
038	620270-1	CONTROLLER		1	*	elektronika DTM51=n ew620H89-6	
038-1	620H89-6	CONTROLLER	O	1	*	ovlada	
038-2	620270-1	CONTROLLER	O	1		elektronika DTM51=n ew620H89-6	
039	271617-8	DIAL 28		1			

040	142553-4	HANDLE COVER COMPLETE		1		kryt rukojeti DTM51	
C10	263005-3	vymezovací čep 6		3			
041	643852-2	patice new 3 kontakty		1		patice =nov	
042	424476-1	CUSHION		1		tlum	
043	263036-2	spojka 5 BTW250RFE/BTL06		1		gumov	
044	268184-2	čep		1			
045	424473-7	CUSHION RUBBER		1		guma	
046	187848-8	BATTERY HOUSING SET		1		dr	
C10	263005-3	vymezovací čep 6		2			
046		INC. 50					
047-1	143250-5	CRANK HOUSING COMPLETE		1		p	
048	266424-2	TAPPING SCREW 4X20		2	*		
048-1	265D38-8	TAPPING SCREW 4X20	O	2			
049	424473-7	CUSHION RUBBER		1		guma	
050	187848-8	BATTERY HOUSING SET		1		dr	
C10	263005-3	vymezovací čep 6		2			
050		INC. 46					
051	815M50-8	DTM51 NAME PLATE		1			
052	266429-2	TAPPING SCREW 3X16		4	*		
052-1	266130-9	šroub PT 3X	O	4			
053	423404-3	SPONGE SHEET		1			
A01	***DC18RC	DC18RC FAST CHARGER		1			
A02-1	196399-0	BATTERY BL1840 SET		2	*		
A02-2	197265-4	BATTERY BL1840B SET	<	2	*		
A02-2	197600-6	BATTERY BL1830B SET		2	*		
A02-2	197280-8	BATTERY BL1850B SET		2	*		
A02-3	197265-4	BATTERY BL1840B SET	O	2			
A02-3	197600-6	BATTERY BL1830B SET	O	2			
A02-3	197280-8	BATTERY BL1850B SET	O	2			
A03	450128-8	kryt baterie		1			
A04	821551-8	systainer Makpac 395x295x210 mm		1			
C10	453974-8	LATCH		4		spona Makpacu	
A05	837671-8	INNER TRAY		1			
A06	196765-1	DUST ATTACHMENT SET		1	*		
A06	803N69-5	DTM51RMJX1 PLASTIC CASE LABEL		2			
A06	812M58-3	DTM51RFJX1 PLASTIC CASE LABEL		2			
A06	813C45-5	DTM51RTJX4 PLASTIC CASE LABEL		2			
A06-1	199627-2	DUST ATTACHMENT SET	<	1			
C10	422362-0	FELT RING 47		1			
C20	459362-7	SPACER		1			
A07	196272-4	ADAPTER A SET		1	*		
A07	803N68-7	DTM51RMJX1 INDICATION LABEL		1			
A07	812M57-5	DTM51RFJX1 INDICATION LABEL		1			
A07	813C44-7	DTM51RTJX4 INDICATION LABEL		1			
A07-1	196271-6	adaptér nástrojů =old313248-8	<	1	*		
A08	B-21325	pilový kotouč 85mm BiM		1	*		
A08	454247-2	PIN 4		4	*		
A08-1	B-64799	STARLOCK SEGMENTSAW 85 TM	O	1			

		A045				
A09	B-21353	pilový list rovný 28x50mm BiM		1	*	
A09	196765-1	DUST ATTACHMENT SET		1	*	
A09-1	B-64814	STARLOCK CUTSAW 32 TMA047 BIM	O	1		
A09-1	199627-2	DUST ATTACHMENT SET	<	1		
C10	422362-0	FELT RING 47		1		
C20	459362-7	SPACER		1		
A10	B-21537	brusná deska DELTA		1	*	
A10	196272-4	ADAPTER A SET		1	*	
A10-1	B-46202	SANDING PAD	<	1	*	
A10-1	196271-6	adaptér nástrojů =old313248-8	<	1	*	
A10-2	B-65115	STARLOCK SANDING PAD 93 TM A078	O	1	*	
A10-3	B-46202	SANDING PAD	O	1	*	
A10-4	B-65115	STARLOCK SANDING PAD 93 TM A078	O	1		
A11	B-21325	pilový kotouč 85mm BiM		1	*	
A11-1	143308-0	TOOL BOX COMPLETE WITH LABEL		1		
C10	454652-3	LATCH		1		
A11-1	B-64799	STARLOCK SEGMENTSAW 85 TM A045	O	1		
A12	B-21353	pilový list rovný 28x50mm BiM		1	*	
A12-1	B-64814	STARLOCK CUTSAW 32 TMA047 BIM	O	1		
A13	B-21537	brusná deska DELTA		1	*	
A13-1	B-46202	SANDING PAD	<	1	*	
A13-2	B-65115	STARLOCK SANDING PAD 93 TM A078	O	1	*	
A13-3	B-46202	SANDING PAD	O	1	*	
A13-4	B-65115	STARLOCK SANDING PAD 93 TM A078	O	1		
A14-1	143308-0	TOOL BOX COMPLETE WITH LABEL		1		
C10	454652-3	LATCH		1		
A15	B-64842	STARLOCK CUTSAW 24 TMA050 HCS		3		
A16	B-21624	brusný papír DELTA K60 10 ks = old B-21565		1		
A17	B-22947	brusný papír DELTA K100 10 ks = old B-21587		1		
A18	B-22953	brusný papír DELTA K150 10 ks		1		
A19	821591-6	TOOL BOX		1		
C10	454652-3	LATCH		1		
F06-3	197606-4	BATTERY BL1830B SET (2PIECES)	O	1	*	
F09-3	197600-6	BATTERY BL1830B SET	O	1		
F10-4	197599-5	BATTERY BL1830B SET	O	1		
F11-3	197267-0	BATTERY BL1840B SET	O	1		
F12-3	197265-4	BATTERY BL1840B SET	O	1		
F13-3	197273-5	BATTERY BL1840B SET(2PIECES)	O	1		

Prosím uveďte objednací číslo dílu v objednávce

Datum tisku 22. 10. 2024