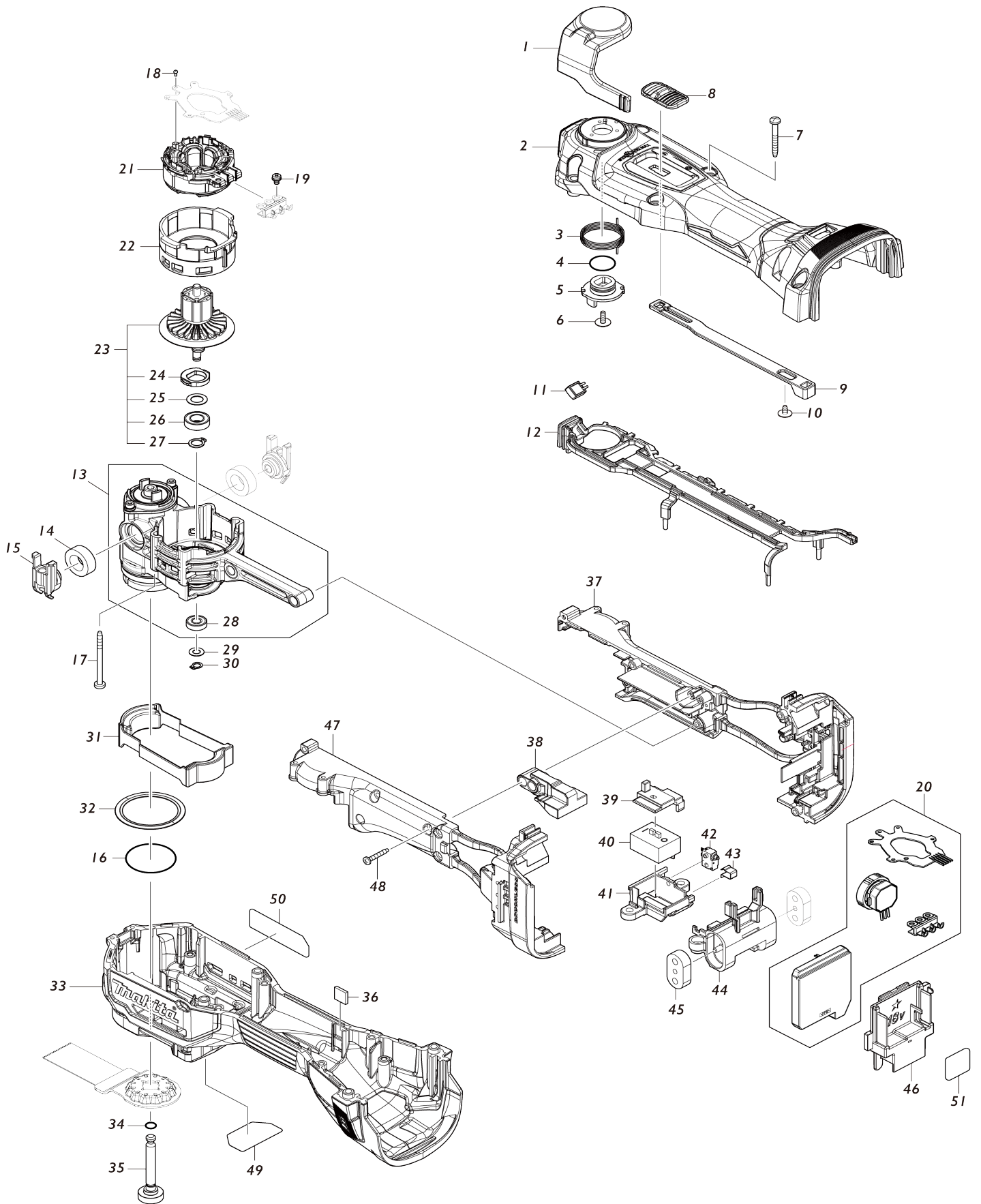


Model No.DTM52 CORDLESS MULTI TOOL



Model No.DTM52 CORDLESS MULTI TOOL

Obj. č.	Obj. č.	Popis	Možn ost zá měny	Množ ství	Nový/ Starý	Poznámka 1	Poznámka 2
001	140Y95-2	LEVER COMPLETE		1		p	
C10	263032-0	gumový čep		1		gumov	
002	183S78-3	HOUSING SET		1		obal	
002		INC. 33,36					
003	232680-6	TORSION SPRING 25		1		pru	
004	213070-2	o-ring 10		1		o-ring 10	
005	313364-6	DRIVER B		1	*		
005-1	313517-7	DRIVER B	S	1		veden	
006	265B82-3	P.H.SCREW M3X10 WITH WR		1			
007	266351-3	šroub 4x35=old266053-1		8	*		
007-1	265B69-5	TAPPING SCREW 4X35	O	8			
008	413395-6	SWITCH KNOB		1	*		
008-1	413G34-0	SWITCH KNOB	<	1			
009	413396-4	SWITCH LEVER A		1		p	
010	265B81-5	TAPPING SCREW FLANGE 3X6		1		p	
011	620E79-1	LED CIRCUIT		1		led okruh	
012	413400-9	LED GUIDE		1		led veden	
013	136394-8	CRANK HOUSING ASSY		1	*		
013		INC. 28			*		
013-1	136529-1	CRANK HOUSING ASS'Y	<	1	*	kryt klikovky=alt 1363 94-8=new137120-8	
C10	224616-9	FLANGE 10		1	*	p	
C20	216055-7	THRUST NEEDLE CAGE 1024		1	*	lo	
C30	216054-9	WASHER 1024		2	*	podlo	
C40	210150-5	BALL BEARING 6803DDW		1	*	lo	
C50	313416-3	DRIVER A		1	*	spojka =new313516- 9	
C60	265B79-2	H.S.H.BOLT M5X14 WITH GM		1	*		
013-1		INC. 28			*		
013-2	137120-8	CRANK HOUSING ASS'Y	S	1		kryt klikovky	
C10	224616-9	FLANGE 10		1		p	
C20	216055-7	THRUST NEEDLE CAGE 1024		1		lo	
C30	216054-9	WASHER 1024		2	*	podlo	
C31	253617-0	FLAT WASHER 10	O	1			
C40	210150-5	BALL BEARING 6803DDW		1		lo	
C51	313516-9	DRIVER A	S	1		spojka=old313416-3	
C60	265B79-2	H.S.H.BOLT M5X14 WITH GM		1			
013-2		INC. 28					
014	422677-5	CUSHION F		2	*	pol	
014-1	422677-5	CUSHION F	O	2		pol	
015	413401-7	CUSSION SUPPORT F		2		dr	
016	213497-6	O-RING 31.5		1			
017	266327-0	šroub MT811		4	*		
017-1	266327-0	šroub MT811	O	4			
018	266490-9	TAPPING SCREW PT 2X6		3	*		
018-1	265C47-1	TAPPING SCREW PT 2X6	O	3			
019	652069-6	FLAT HEAD SCREW M3X6		3			
020	620E78-3	CONTROLLER		1		ovlada	
021	629A56-6	STATOR		1		stator	

022	413394-8	MOTOR HOUSING		1		obal motoru	
023	519683-0	ROTOR ASSY		1		rotor	
C10	210248-8	BALL BEARING 6901DDW		1			
C20	253492-4	FLAT WASHER 21		1			
023		INC. 24-27					
024	313361-2	BALANCER		1			
025	253777-8	podložka 8		1		podlo	
026	210249-6	BALL BEARING 688LLU		1			
027	961004-6	segrovka S-8		1		segrovka S-8	
028	210039-7	BALL BEARING 695DDW		1	*	lo	
028-1	210281-0	BALL BEARING 695 DDW	O	1			
029	253811-4	podložka 5		1		podlo	
030	961008-8	podložka		1		podlo	
031	422721-8	CAP		1		v	
032	422682-2	RUBBER RING 35		1	*		
032-1	422B02-2	RUBBER RING 35	<	1		krou	
033	183S78-3	HOUSING SET		1		obal	
033		INC. 2,36					
034	213032-0	o kroužek 4 9554NB-9558NB/BG A45		1		o krou	
035	327769-4	HOLDER BOLT		1		dr	
036	422679-1	CUSHION M		2		pol	
037	183S69-4	INNER HOUSING SET		1	*	vnit	
037		INC. 47			*		
037-1	183Y76-3	INNER HOUSING SET	<	1		pouzdro	
037-1		INC. 47					
038	313365-4	WEIGHT		1		z	
039	413397-2	SWITCH LEVER B		1		p	
040	650000-6	SWITCH BSW-1125A-17		1		sp	
041	413398-0	SWITCH BASE		1	*		
041-1	413G11-2	SWITCH BASE	<	1			
042	632S34-5	SWITCH UNIT		1		vyp	
043	232706-4	LEAF SPRING		1		pru	
044	413399-8	SWITCH COVER		1		kryt p	
045	422678-3	CUSHION R		2		pol	
046	643874-2	TERMINAL		1		kontakt	
047	183S69-4	INNER HOUSING SET		1	*	vnit	
047		INC. 37			*		
047-1	183Y76-3	INNER HOUSING SET	<	1		pouzdro	
047-1		INC. 37					
048	265935-4	TAPPING SCREW 3X20		8	*		
048-1	251497-8	TAPPING SCREW 3X20	<	8			
049	8032F3-5	INDICATION LABEL		1			
050	811E24-9	DTM52 NAME PLATE		1			
051	811E32-0	DTM52 SERIAL NO. LABEL		1			
A01	191R02-6	DUST ATTACHMENT SET		1			
A02	***DC18RC	DC18RC FAST CHARGER		1			
A02		COMPO-PARTS					
A03	450128-8	kryt baterie		1			
A04	197600-6	BATTERY BL1830B SET		2			
A05	821551-8	systainer Makpac 395x295x210 mm		1			

C10	453974-8	LATCH		4		spona Makpacu	
A06	835W93-4	INNER TRAY		1			
A07	8032N0-7	DTM52RFJX1 INDICATION LABEL		1			
A07	8032N8-1	DTM52RFJX2 INDICATION LABEL		1			
A08	8032N1-5	DTM52RFJX1 PLASTIC CASE LABEL		2			
A08	8032N9-9	DTM52RFJX2 PLASTIC CASE LABEL		2			
A09	821852-4	TOOL BOX		1			
C10	413608-5	SLIDE LATCH		1			
A10	B-64814	STARLOCK CUTSAW 32 TMA047 BIM		1			
A11	B-64799	STARLOCK SEGMENTSAW 85 TMA045		1			
A12	B-64939	STARLOCK CUTSAW 32 TMA059 BIM		1			
A12	B-64836	STARLOCK SEGMENTSAW 85 TMA049		1			
A13	B-66400	BOW SHAPE PLUNGE CUT SAWBLADE		1			
A13	B-64917	STARLOCK CUTSAW 10 TMA057 BIM		1	*		
A13-1	B-64917	STARLOCK CUTSAW 10 TMA057 BIM	O	1			
A14	B-21624	brusný papír DELTA K60 10 ks = old B-21565		1			
A14	B-64923	STARLOCK CUTSAW 20 TMA058 BIM		1	*		
A14-1	B-64923	STARLOCK CUTSAW 20 TMA058 BIM	O	1			
A15	B-22947	brusný papír DELTA K100 10 ks = old B-21587		1			
A15	B-64939	STARLOCK CUTSAW 32 TMA059 BIM		1			
A16	B-22953	brusný papír DELTA K150 10 ks		1			
A16	B-64995	STARLOCK SCRAPERFLEXIBLE TMA66		1			
A17	B-65115	STARLOCK SANDING PAD 93 TMA078		1			
A17	B-65028	STARLOCK SEGMENTSAW 85 TMA069		1			
A18	B-65040	STARLOCK SEGMENTSAW 70 TMA071		1			
A19	B-66400	BOW SHAPE PLUNGE CUT SAWBLADE		1			
A20	B-66416	BOW SHAPE PLUNGE CUT SAWBLADE		1			
A21	B-66472	JOINT CUTTER BLADE/ SEALING		1			
A22	B-22953	brusný papír DELTA K150 10 ks		1			
A23	B-65115	STARLOCK SANDING PAD 93 TMA078		1			
F01	191R02-6	DUST ATTACHMENT SET		1			

Prosím uveďte objednávací číslo dílu v objednávce

Datum tisku 22. 10. 2024