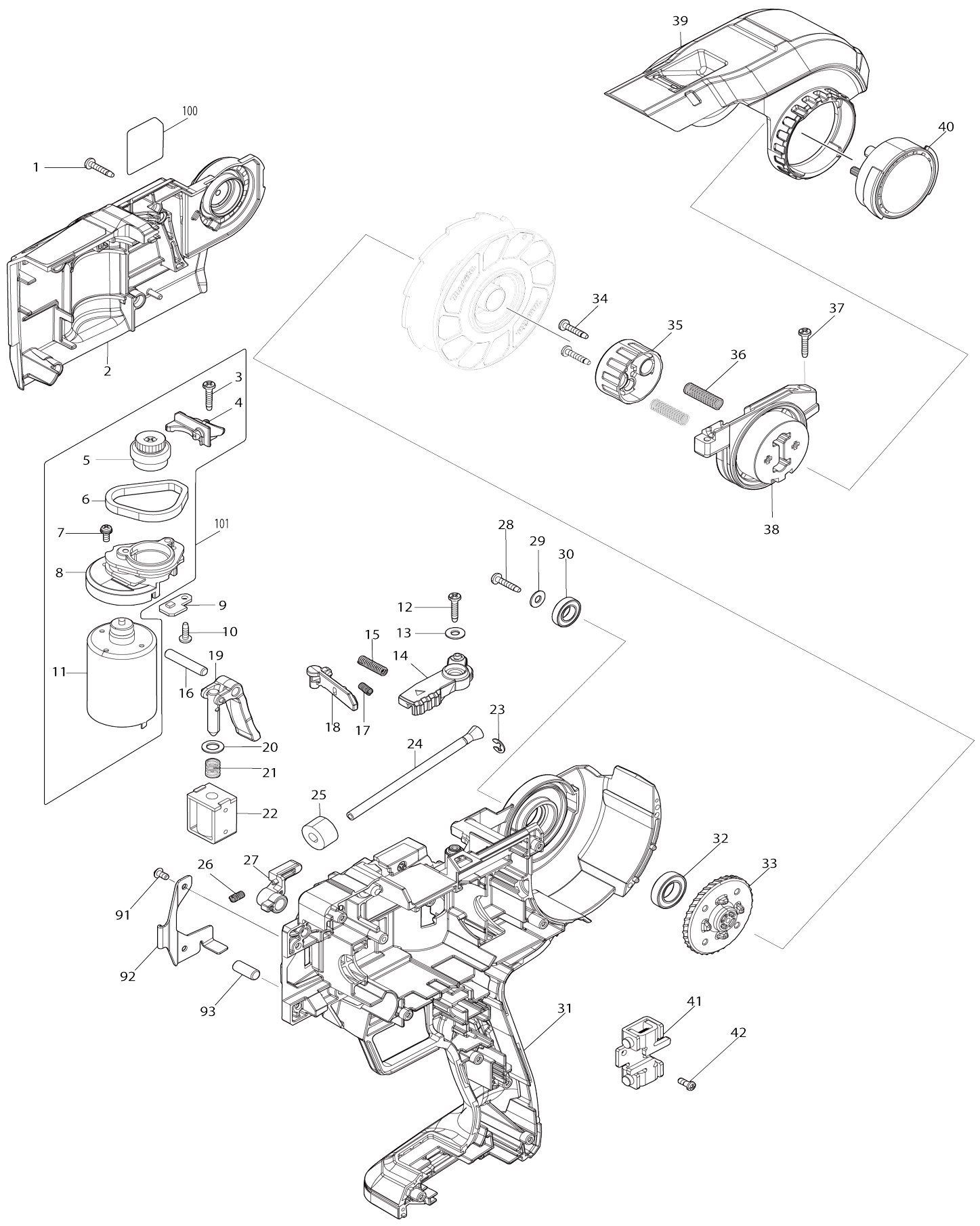
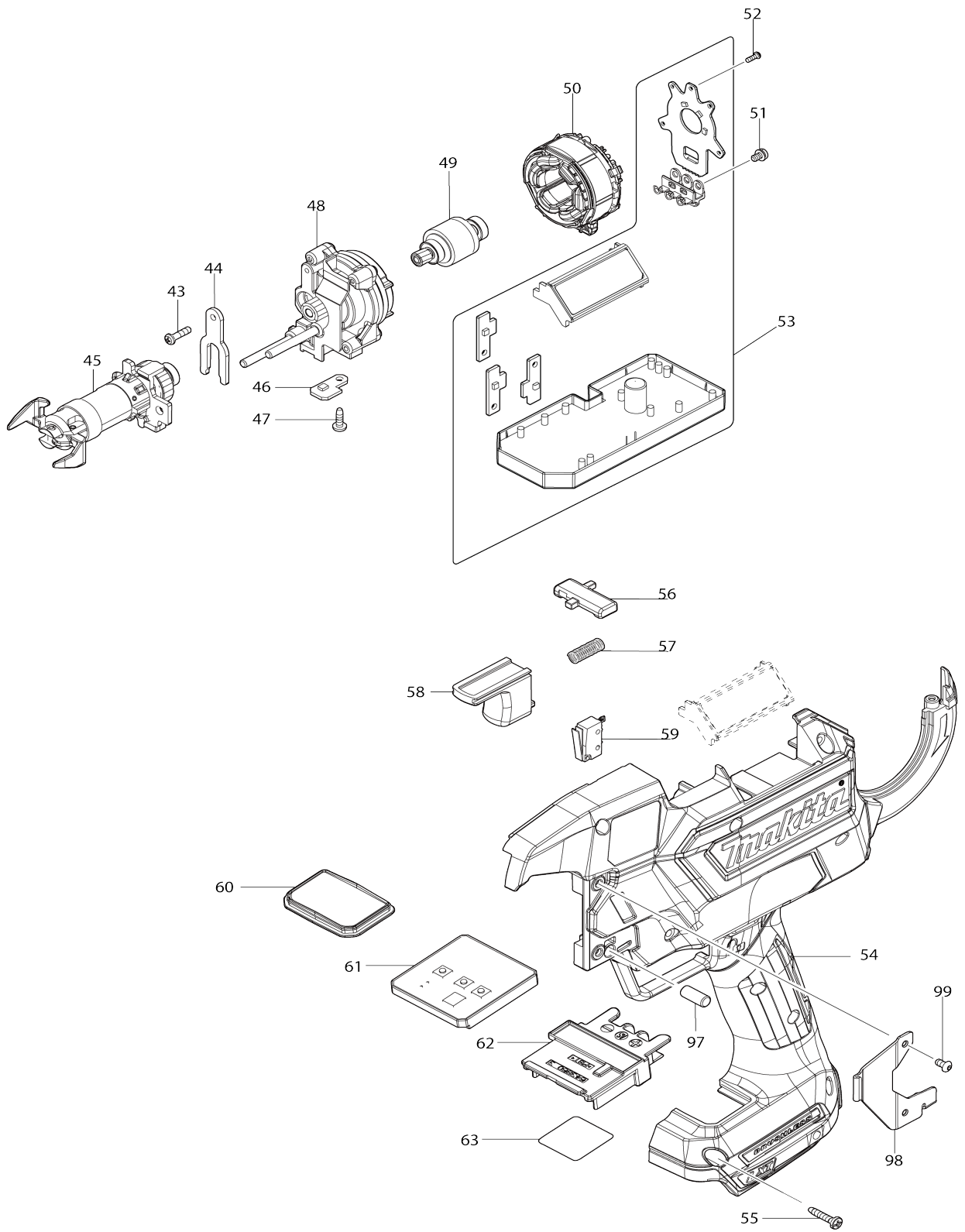


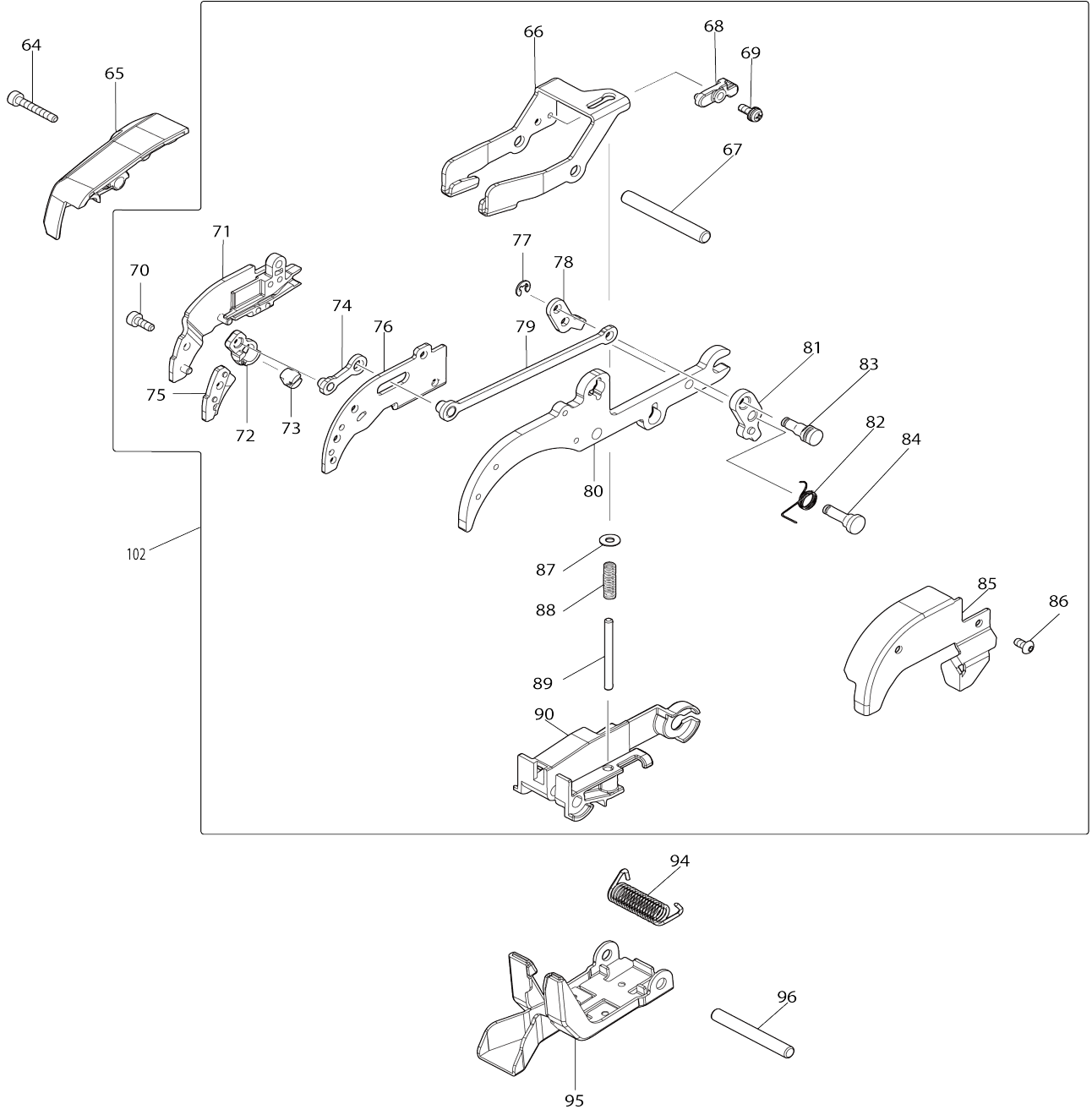
# Model No.DTR180 CORDLESS REBAR TYING TOOL



# Model No.DTR180 CORDLESS REBAR TYING TOOL



# Model No.DTR180 CORDLESS REBAR TYING TOOL



**Model No.DTR180 CORDLESS REBAR TYING TOOL**

Obj. č.	Obj. č.	Popis	Možn ost za měny	Množ ství	Nový/ Starý	Poznámka 1	Poznámka 2
001	266130-9	šroub PT 3X		4			
002	140B66-1	HOUSING COVER COMPLETE		1	*	kryt DTR180=new140 J78-2	
C10	817A35-8	INDICATION LABEL A		1	*		
C20	817A42-1	CAUTION LABEL A		1	*		
C30	817A44-7	CAUTION LABEL B		1	*		
002-1	140J78-2	HOUSING COVER COMPLETE	S	1	*		
C10	817A35-8	INDICATION LABEL A		1	*		
C20	817A42-1	CAUTION LABEL A		1	*		
C30	817A44-7	CAUTION LABEL B		1	*		
002-2	140V64-5	HOUSING COVER COMPLETE	O	1		obal	
C10	817A35-8	INDICATION LABEL A		1			
C20	817A42-1	CAUTION LABEL A		1			
C30	817A44-7	CAUTION LABEL B		1			
003	266130-9	šroub PT 3X		1			
004	310864-7	WIRE GUIDE A		1			
005	135968-2	SPUR GEAR 30A ASSEMBLY		1		kole	
006	422247-0	SPONGE SHEET A		1			
007	911008-8	šroub M3x8		2			
008	458222-0	MOTOR BASE		1			
009	620913-5	SENSOR CIRCUIT		1			
010	266007-8	Tapping Screw Bind PT3x1=old3 20266007		1		Tapping Screw Bind P T3x1=old320266007	
011	629346-1	DC MOTOR		1		motor	
012	266130-9	šroub PT 3X		1			
013	941051-3	Flat Washer 4		1		podlo	
014	135969-0	RELEASE LEVER ASSY		1	*		
014-1	136548-7	RELEASE LEVER ASS'Y	<	1	*		
014-2	136675-0	RELEASE LEVER ASS'Y	O	1		p	
015	232443-0	COMPRESSION SPRING 3		1			
016	256098-7	pin 5		1		pin 5	
017	232442-2	COMPRESSION SPRING 3		1		pru	
018	458223-8	LOCK LEVER		1		p	
019	140A85-1	BRAKE ARM COMPLETE		1	*	rameno	
019-1	140A85-1	BRAKE ARM COMPLETE	O	1		rameno	
020	941152-7	podložka 6		1		podlo	
021	232446-4	COMPRESSION SPRING 7		1		pru	
022	679032-4	SOLENOID		1		c	
023	961011-9	zajišťovací kroužek		1	*	zaji	
024	327112-7	WIRE GUIDE PIPE		1	*	veden	
024-1	140L14-0	WIRE GUIDE PIPE COMPLETE	S	1		veden	
025	422249-6	SPONGE SHEET B		1		houba	
026	232442-2	COMPRESSION SPRING 3		1		pru	
027	144901-3	MAGNET ARM CCOMPLETE		1		rameno	
028	266130-9	šroub PT 3X		1			
029	941051-3	Flat Washer 4		1		podlo	
030	211478-4	BALL BEARING 689		1		lo	
031	183J56-9	HOUSING SET		1	*	obal DTR180=new18 3W01-2	

C10	263005-3	vymezovací čep 6		2	*		
C20	252126-6	HEX. LOCK NUT M4-7		2	*	matka	
C30	931002-4	HEX. NUT M3		2	*		
C40	817A46-3	CAUTION LABEL C		1	*		
031		INC. 54			*		
031-1	183W01-2	HOUSING SET	O	1		obal stroje DTR181	
C10	263005-3	vymezovací čep 6		2			
C20	252126-6	HEX. LOCK NUT M4-7		2		matka	
C30	931002-4	HEX. NUT M3		2			
C40	817A46-3	CAUTION LABEL C		1			
031-1		INC. 54					
032	211136-2	Ball Bearing 6801LLB		1		kuli	
033	144904-7	MAGNET WHEEL COMPLETE		1	*		
033-1	140H97-6	MAGNET WHEEL COMPLETE	S	1			
034	266130-9	šroub PT 3X		2			
035	319665-0	REEL BEARING		1	*		
035-1	319822-0	REEL BEARING	<	1			
036	231294-8	vinutá pružina		2		vinut	
037	266130-9	šroub PT 3X		2			
038	458225-4	REEL BASE		1		c	
039	458216-5	REEL COVER		1		kryt DTR180	
040	458221-2	REEL BEARING CAM		1		lo	
041	126743-7	STOPPER ASSEMBLY		1		doraz	
042	265199-0	+ PAN HEAD SCREW M3X8		2			
043	911017-7	šroub M3x12		1			
044	310866-3	BEARING RTAINER		1		kryt lo	
045	140B72-6	MAIN SLEEVE COMPLETE		1	*		
045-1	140J49-9	MAIN SLEEVE COMPLETE	<	1	*		
045-2	141D23-4	MAIN SLEEVE COMPLETE	O	1		utahovac	
046	620913-5	SENSOR CIRCUIT		1			
047	266007-8	Tapping Screw Bind PT3x1=old3 20266007		1		Tapping Screw Bind P T3x1=old320266007	
048	126838-6	GEAR ASSEMBLY		1		p	
049	619520-9	ROTOR		1		rotor DTR180	
050	629343-7	STATOR		1		stator	
051	652069-6	FLAT HEAD SCREW M3X6		3			
052	266490-9	TAPPING SCREW PT 2X6		3			
053	140B68-7	MAIN CONTROLLER COMPLETE		1		regulace	
C10	817A37-4	INDICATION LABEL B		1			
054	183J56-9	HOUSING SET		1	*	obal DTR180=new18 3W01-2	
C10	263005-3	vymezovací čep 6		2	*		
C20	252126-6	HEX. LOCK NUT M4-7		2	*	matka	
C30	931002-4	HEX. NUT M3		2	*		
C40	817A46-3	CAUTION LABEL C		1	*		
054		INC. 31			*		
054-1	183W01-2	HOUSING SET	O	1		obal stroje DTR181	
C10	263005-3	vymezovací čep 6		2			
C20	252126-6	HEX. LOCK NUT M4-7		2		matka	
C30	931002-4	HEX. NUT M3		2			
C40	817A46-3	CAUTION LABEL C		1			
054-1		INC. 31					

055	266130-9	šroub PT 3X		11		
056	458219-9	TRIGGER LOCK		1		aretace DTR180
057	234037-7	COMPRESSION SPRING 5		1		pru
058	458220-4	TRIGGER		1		spou
059	632L94-5	SWITCH UNIT		1		vyp
060	140B67-9	SWITCH PLATE COMPLETE		1		deska
C10	817A39-0	INDICATION LABEL C		1		
061	620924-0	SWITCH CIRCUIT		1	*	vyp
061-1	620R89-6	SWITCH CIRCUIT	O	1		
062	643860-3	TERMINAL		1		patice
063	854L26-4	DTR180 SERIAL NO. LABEL		1		
064	265633-0	HEX SOCKET HEAD BOLT M3X20		1		
065	458217-3	CONTACT PLATE COVER		1		kryt DTR180
066	347331-9	CONTACT PLATE		1		sou
067	256573-3	PIN 5		1		
068	144903-9	MAGNET BASE B COMPLETE		1		
069	911008-8	šroub M3x8		1		
070	265634-8	HEX SOCKET HEAD BOLT M3X8		1		
071	140C95-0	WIRE GUIDE B COMPLETE		1	*	
071-1	141S38-1	WIRE GUIDE B COMPLETE	<	1		veden
072	310815-0	CUTTER B		1		n
073	310814-2	CUTTER A		1		n
074	161872-9	LINK ARM A COMPLETE		1		veden
075	347328-8	TOP PLATE		1		deska
076	347326-2	GUIDE PLATE A		1		
077	961017-7	zajišťovací kroužek E-3		2		zaji
078	347330-1	PULL PLATE		1	*	
078-1	347720-8	PULL PLATE	<	1		deska DTR180=old347330-1
079	161873-7	LINK ARM B COMPLETE		1		veden
080	347370-9	GUIDE ARM A		1		nosn
081	347329-6	PUSH PLATE		1		deska DTR180
082	232445-6	TORSION SPRING 7		1		pru
083	256400-4	SHOULDER PIN 4		1		
084	256399-3	SHOULDER PIN 4		1		
085	347327-0	GUIDE PLATE B		1		veden
086	265635-6	H.S.BUTTON HEAD SCREW M3X6		2		
087	941001-8	FLAT WASHER 3		1		
088	232444-8	COMPRESSION SPRING 4		1		
089	256390-1	PIN 3		1		
090	458226-2	LEAD HOLDER		1		
091	265635-6	H.S.BUTTON HEAD SCREW M3X6		2		
092	347333-5	SIDE PLATE R		1		deska
093	263040-1	RUBBER PIN 6		1		
094	232448-0	TORSION SPRING 6		1		pru
095	161867-2	CURL GUIDE COMPLETE		1		veden
096	256573-3	PIN 5		1		
097	263040-1	RUBBER PIN 6		1		
098	347332-7	SIDE PLATE L		1		deska
099	265635-6	H.S.BUTTON HEAD SCREW M3X6		2		
100	854L20-6	DTR180 NAME PLATE		1		
101	135999-1	DC MOTOR ASSY		1		motor

101		INC. 3-8,11				
102	135998-3	GUIDE ARM ASSY		1	*	
102		INC. 66-90			*	
102-1	136184-9	GUIDE ARM ASSY	<	1	*	rameno=old135998-3 =new136947-3
102-1		INC. 66-90			*	
102-2	136947-3	GUIDE ARM ASSY	<	1		vod
102-2		INC. 66-90				
103	232508-8	COMPRESSION SPRING 10	S	1		
A01	251314-2	028078		1		
A02	346449-3	HOOK		1		
A03	783208-8	klíč imbus 2.5		1		kl
A04	821725-1	PLASTIC CARRYING CASE		1	*	
C10	163455-1	spona ke kufru		2	*	spona ke kufru
A04	821552-6	systainer Makpac 395x295x315 mm=old824783-6		1	*	
C10	453974-8	LATCH		4	*	spona Makpacu
A04-1	140564-7	PLASTIC CASE COMPLETE	<	1	*	
C10	163455-1	spona ke kufru		2	*	spona ke kufru
C20	8008X6-2	CAUTION LABEL		1	*	
A04-1	140563-9	CONNECTOR P.CASE (TYPE4) CO MP.	<	1		
C10	453974-8	LATCH		4		spona Makpacu
A04-2	141G12-7	PLASTIC CASE COMPLETE	O	1		
C10	163455-1	spona ke kufru		2		spona ke kufru
C20	8008X6-2	CAUTION LABEL		1		
A05	817D06-3	DTR180ZK PLASTIC CASE LABEL		2		
A05	839735-4	INNER TRAY		1	*	
A05-1	835W33-2	INNER TRAY	<	1		
A06	817D09-7	DTR180ZJ INDICATION LABEL		1		
A07	817D10-2	DTR180ZJ PLASTIC CASE LABEL		2		
A09	162755-6	NYLON BRUSH		1		
F03	191J59-9	POLY COATED TIE WIRE SET		1		
F04	191M27-0	EXTENSION HANDLE SET		1		

Prosím uveďte objednáč. číslo dílu v objednávce

Datum tisku 23. 10. 2024