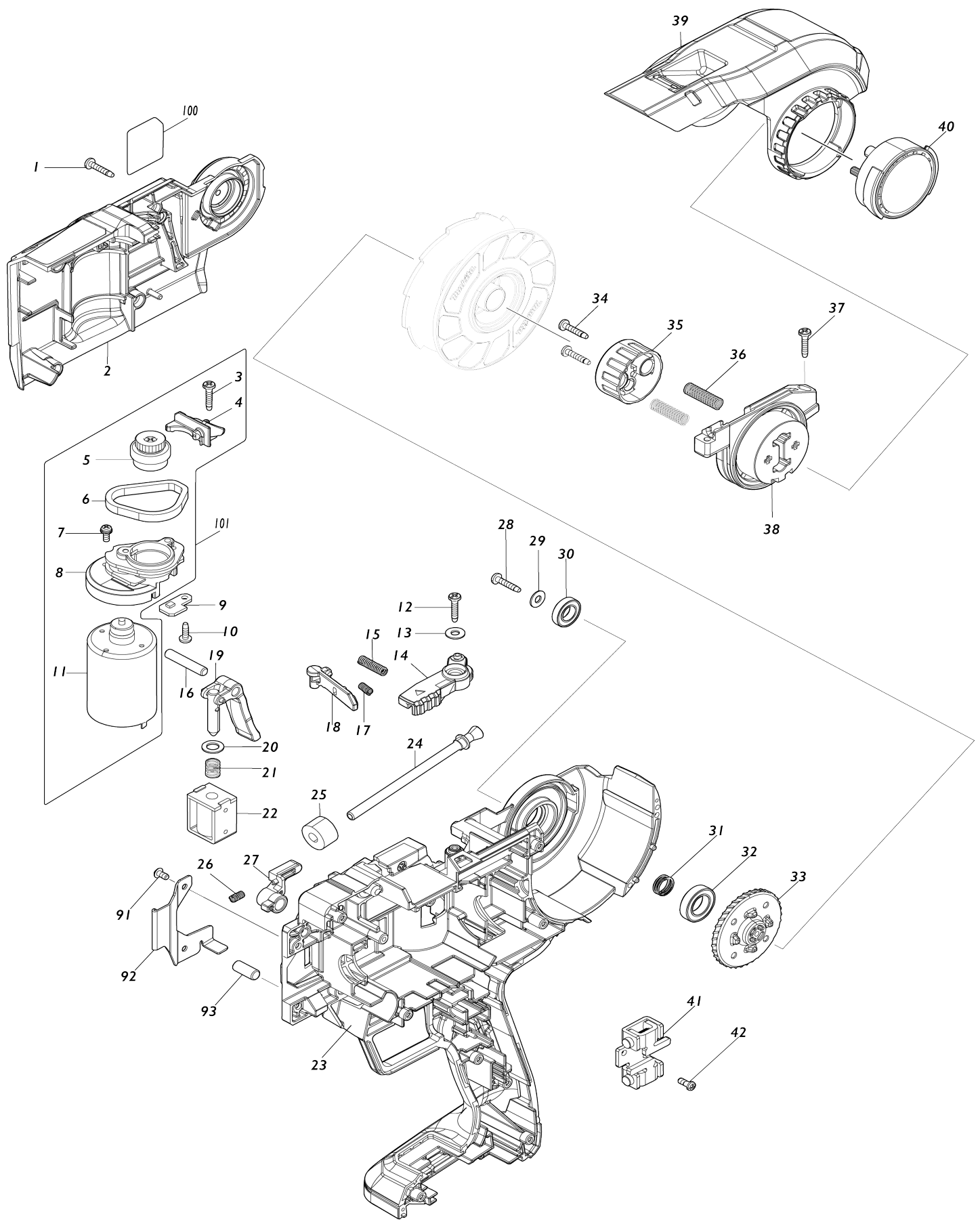
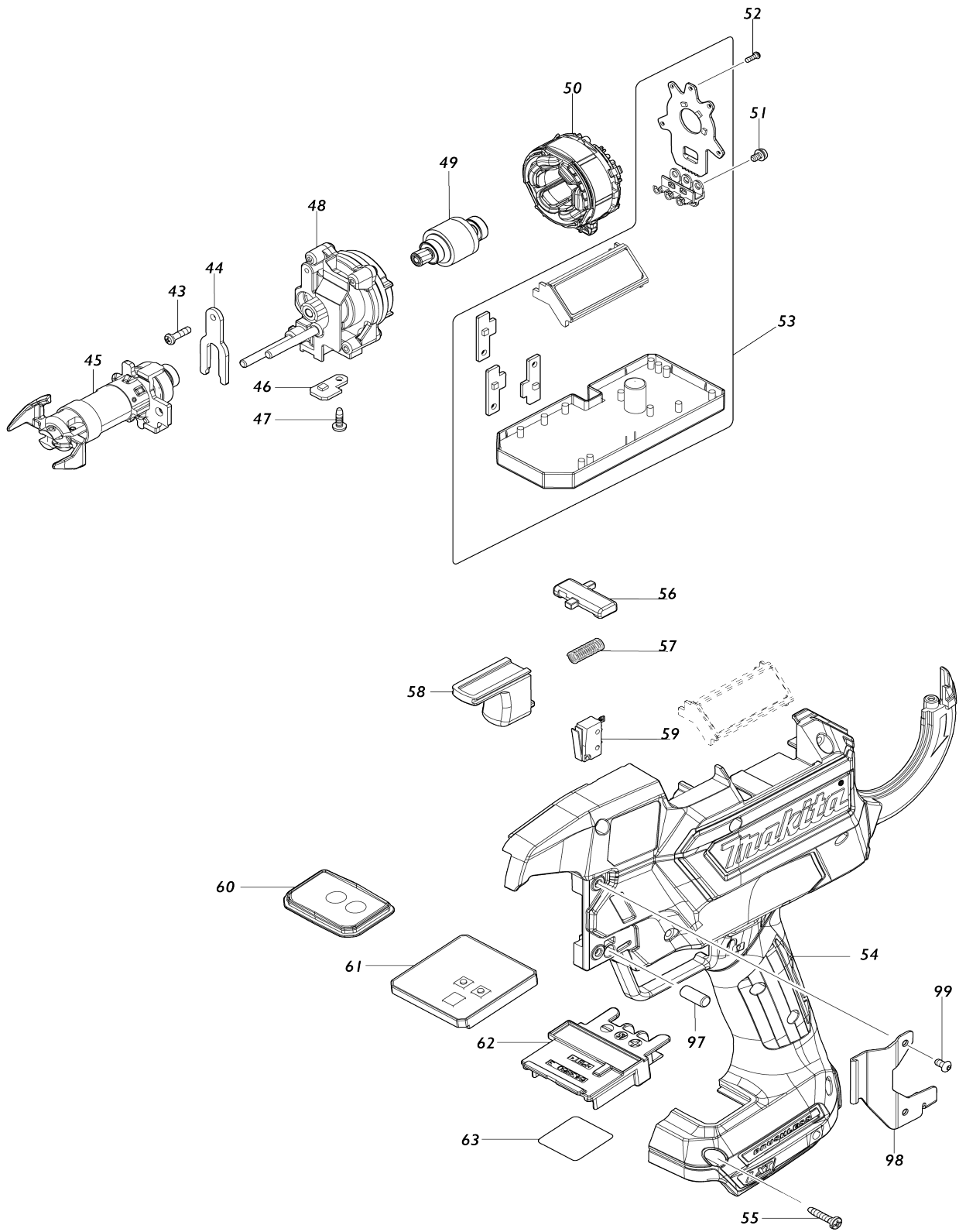


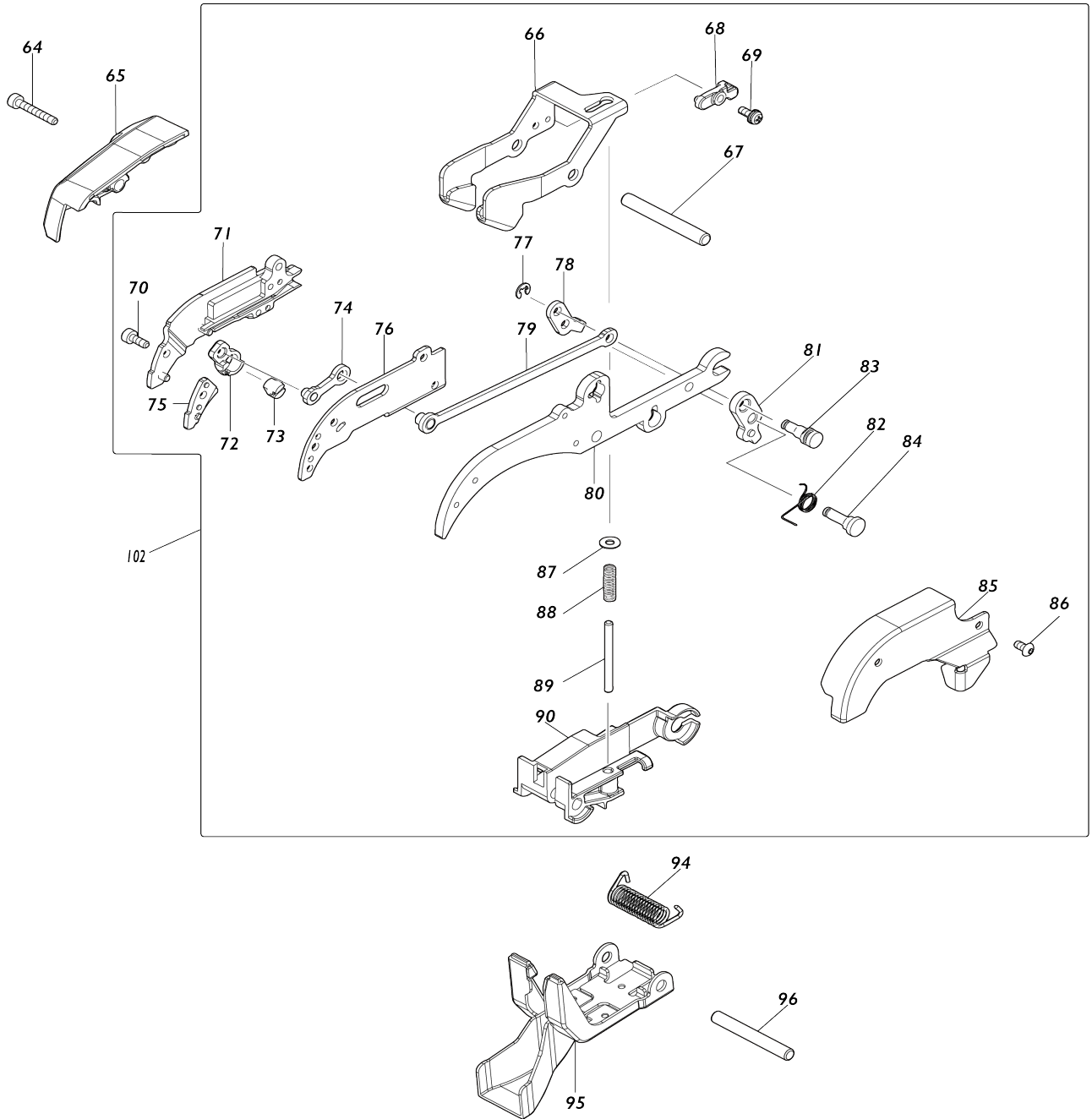
Model No.DTR181 CORDLESS REBAR TYING TOOL



Model No.DTR181 CORDLESS REBAR TYING TOOL



Model No.DTR181 CORDLESS REBAR TYING TOOL



Model No.DTR181 CORDLESS REBAR TYING TOOL

Obj. č.	Obj. č.	Popis	Možnost zá měny	Množ ství	Nový/ Starý	Poznámka 1	Poznámka 2
001	266130-9	šroub PT 3X		4			
002	140V64-5	HOUSING COVER COMPLETE		1		obal	
C10	817A35-8	INDICATION LABEL A		1			
C20	817A42-1	CAUTION LABEL A		1			
C30	817A44-7	CAUTION LABEL B		1			
003	266130-9	šroub PT 3X		1			
004	310864-7	WIRE GUIDE A		1			
005	135968-2	SPUR GEAR 30A ASSEMBLY		1		kole	
006	422247-0	SPONGE SHEET A		1			
007	911008-8	šroub M3x8		2			
008	458222-0	MOTOR BASE		1			
009	620913-5	SENSOR CIRCUIT		1			
010	266007-8	Tapping Screw Bind PT3x1=old3 20266007		1		Tapping Screw Bind P T3x1=old320266007	
011	629346-1	DC MOTOR		1		motor	
012	266130-9	šroub PT 3X		1			
013	941051-3	Flat Washer 4		1		podlo	
014	136675-0	RELEASE LEVER ASS'Y		1		p	
015	232443-0	COMPRESSION SPRING 3		1			
016	256098-7	pin 5		1		pin 5	
017	232442-2	COMPRESSION SPRING 3		1		pru	
018	458223-8	LOCK LEVER		1		p	
019	140A85-1	BRAKE ARM COMPLETE		1	*	rameno	
019-1	140A85-1	BRAKE ARM COMPLETE	O	1		rameno	
020	941152-7	podložka 6		1		podlo	
021	232446-4	COMPRESSION SPRING 7		1		pru	
022	679032-4	SOLENOID		1		c	
023	183W01-2	HOUSING SET		1		obal stroje DTR181	
C10	263005-3	vymezovací čep 6		2			
C20	252126-6	HEX. LOCK NUT M4-7		2		matka	
C30	931002-4	HEX. NUT M3		6			
C40	817A46-3	CAUTION LABEL C		1			
023		INC. 54					
024	140L14-0	WIRE GUIDE PIPE COMPLETE		1		veden	
025	422249-6	SPONGE SHEET B		1		houba	
026	232442-2	COMPRESSION SPRING 3		1		pru	
027	144901-3	MAGNET ARM CCOMPLETE		1		rameno	
028	266130-9	šroub PT 3X		1			
029	941051-3	Flat Washer 4		1		podlo	
030	211478-4	BALL BEARING 689		1		lo	
031	232508-8	COMPRESSION SPRING 10		1			
032	211136-2	Ball Bearing 6801LLB		1		kuli	
033	140H97-6	MAGNET WHEEL COMPLETE		1			
034	266130-9	šroub PT 3X		2			
035	319822-0	REEL BEARING		1			
036	231294-8	vinutá pružina		2		vinut	
037	266130-9	šroub PT 3X		2			
038	458225-4	REEL BASE		1		c	

039	458216-5	REEL COVER		1		kryt DTR180	
040	458221-2	REEL BEARING CAM		1		lo	
041	126743-7	STOPPER ASSEMBLY		1		doraz	
042	265199-0	+ PAN HEAD SCREW M3X8		2			
043	911017-7	šroub M3x12		1			
044	310866-3	BEARING RTAINER		1		kryt lo	
045	141D23-4	MAIN SLEEVE COMPLETE		1		utahovac	
046	620913-5	SENSOR CIRCUIT		1			
047	266007-8	Tapping Screw Bind PT3x1=old3 20266007		1		Tapping Screw Bind P T3x1=old320266007	
048	126838-6	GEAR ASSEMBLY		1		p	
049	619520-9	ROTOR		1		rotor DTR180	
050	629343-7	STATOR		1		stator	
051	652069-6	FLAT HEAD SCREW M3X6		3			
052	266490-9	TAPPING SCREW PT 2X6		3			
053	140X54-0	MAIN CONTROLLER COMPLETE		1		elektronika DTR181	
C10	817A37-4	INDICATION LABEL B		1			
054	183W01-2	HOUSING SET		1		obal stroje DTR181	
C10	263005-3	vymezovací čep 6		2			
C20	252126-6	HEX. LOCK NUT M4-7		2		matka	
C30	931002-4	HEX. NUT M3		6			
C40	817A46-3	CAUTION LABEL C		1			
054		INC. 23					
055	266130-9	šroub PT 3X		11			
056	458219-9	TRIGGER LOCK		1		aretace DTR180	
057	234037-7	COMPRESSION SPRING 5		1		pru	
058	458220-4	TRIGGER		1		spou	
059	632L94-5	SWITCH UNIT		1		vyp	
060	140B67-9	SWITCH PLATE COMPLETE		1		deska	
C10	817A39-0	INDICATION LABEL C		1			
061	620924-0	SWITCH CIRCUIT		1	*	vyp	
061-1	620R89-6	SWITCH CIRCUIT	O	1			
062	643860-3	TERMINAL		1		patice	
063	811K07-5	DTR181 SERIAL NO. LABEL		1			
064	265633-0	HEX SOCKET HEAD BOLT M3X20		1			
065	458217-3	CONTACT PLATE COVER		1		kryt DTR180	
066	347831-9	CONTACT PLATE		1		horn	
067	256573-3	PIN 5		1			
068	144903-9	MAGNET BASE B COMPLETE		1			
069	911008-8	šroub M3x8		1			
070	265634-8	HEX SOCKET HEAD BOLT M3X8		1			
071	162945-1	WIRE GUIDE B COMPLETE		1	*	veden	
071-1	141S52-7	WIRE GUIDE B COMPLETE	<	1		veden	
072	310815-0	CUTTER B		1		n	
073	310814-2	CUTTER A		1		n	
074	161872-9	LINK ARM A COMPLETE		1		veden	
075	347773-7	TOP PLATE		1		spojovac	
076	347772-9	GUIDE PLATE A		1		vod	
077	961017-7	zajišťovací kroužek E-3		2		zaji	
078	347720-8	PULL PLATE		1		deska DTR180=old34 7330-1	
079	162943-5	LINK ARM B COMPLETE		1		spojovac	

080	347770-3	GUIDE ARM A		1		vod	
081	347329-6	PUSH PLATE		1		deska DTR180	
082	232445-6	TORSION SPRING 7		1		pru	
083	256400-4	SHOULDER PIN 4		1			
084	256399-3	SHOULDER PIN 4		1			
085	347771-1	GUIDE PLATE B		1		vod	
086	265635-6	H.S.BUTTON HEAD SCREW M3X6		2			
087	941001-8	FLAT WASHER 3		1			
088	232444-8	COMPRESSION SPRING 4		1			
089	256390-1	PIN 3		1			
090	458226-2	LEAD HOLDER		1			
091	265635-6	H.S.BUTTON HEAD SCREW M3X6		2			
092	347813-1	SIDE PLATE R		1		bo	
093	263040-1	RUBBER PIN 6		1			
094	232448-0	TORSION SPRING 6		1		pru	
095	162946-9	CURL GUIDE COMPLETE		1		veden	
096	256573-3	PIN 5		1			
097	263040-1	RUBBER PIN 6		1			
098	347812-3	SIDE PLATE L		1		bo	
099	265635-6	H.S.BUTTON HEAD SCREW M3X6		2			
100	811K01-7	DTR181 NAME PLATE		1			
101	135999-1	DC MOTOR ASSY		1		motor	
101		INC. 3-8,11					
102	136447-3	GUIDE ARM ASSY		1	*	vod	
102		INC. 66-90			*		
102-1	136948-1	GUIDE ARM ASSY	<	1		vod	
102-1		INC. 66-90					
A01	251314-2	028078		1			
A02	346449-3	HOOK		1			
A03	783208-8	klíč imbus 2.5		1		kl	
A04	162755-6	NYLON BRUSH		1			
A05	140563-9	CONNECTOR P.CASE (TYPE4) COMP.		1			
C10	453974-8	LATCH		4		spona Makpacu	
C20	8008X6-2	CAUTION LABEL		1			
A06	8035D2-1	DTR181ZJ INDICATION LABEL		1			
A06	8035D5-5	DTR181RTJ INDICATION LABEL		1			
A07	8035D3-9	DTR181ZJ PLASTIC CASE LABEL		2			
A07	8035D6-3	DTR181RTJ PLASTIC CASE LABEL		2			
A08	835W33-2	INNER TRAY		1	*		
A08-1	8351L5-9	INNER TRAY	<	1			
A09	***DC18RC	DC18RC FAST CHARGER		1			
A09		COMPO-PARTS					
A10	450128-8	kryt baterie		1			
A11	197280-8	BATTERY BL1850B SET		2			
F02	191J59-9	POLY COATED TIE WIRE SET		1			
F03	191M27-0	EXTENSION HANDLE SET		1			
F06	1911H9-6	WIRE GUIDE B COMPLETE(EG) SET		1	*		
F06-1	1913F2-8	WIRE GUIDE B COMPLETE(EG) SET	<	1			

Prosím uveďte objednáčíslo dílu v objednávce

Datum tisku 23. 10. 2024