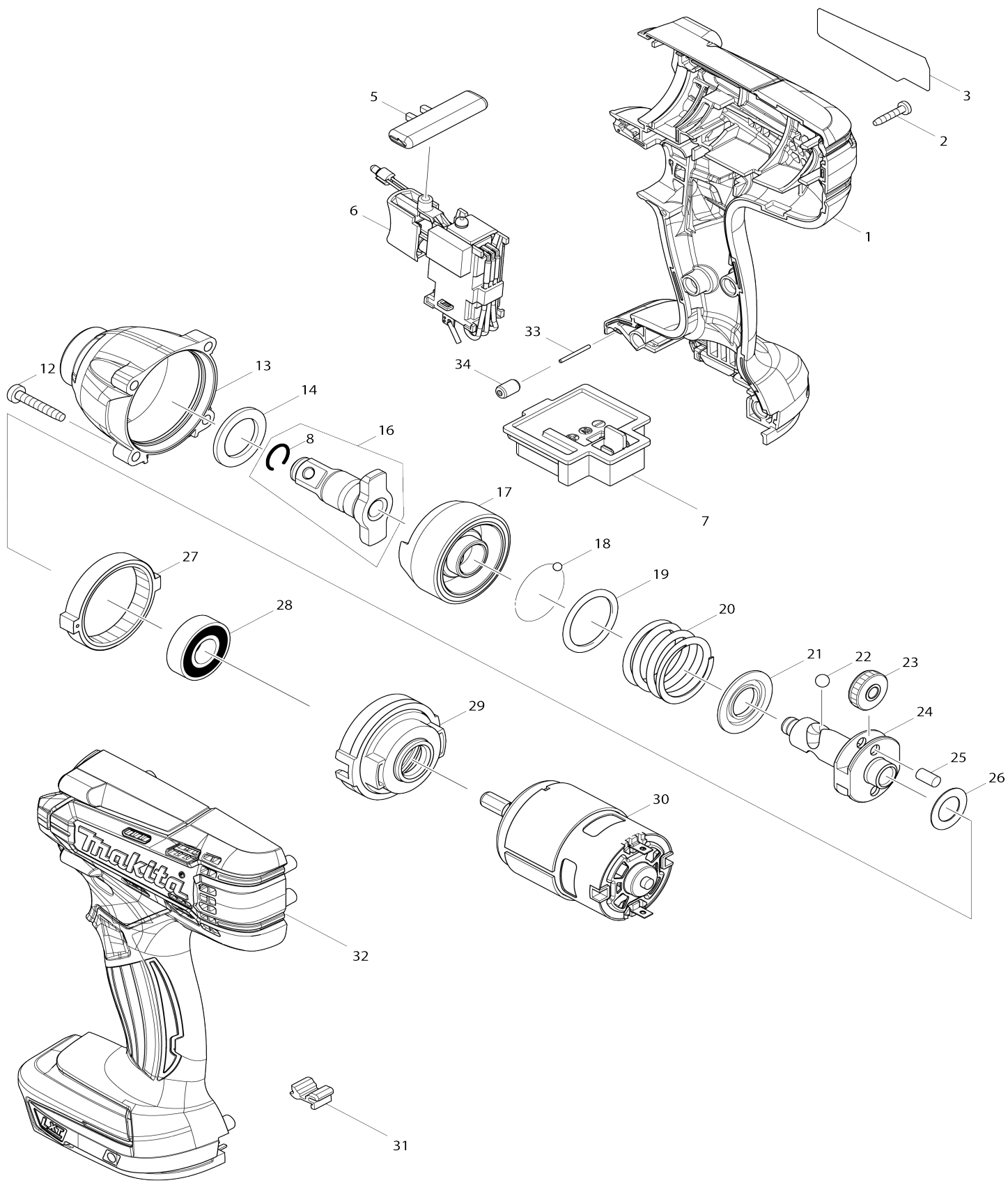


Model No.DTW190 CORDLESS IMPACT WRENCH



**Model No.DTW190 CORDLESS IMPACT WRENCH**

Obj. č.	Obj. č.	Popis	Možn ost zá měny	Množ ství	Nový/ Starý	Poznámka 1	Poznámka 2
001	183D73-3	HOUSING SET		1	*	sk	
C10	263005-3	vymezovací čep 6		2	*		
C20	252126-6	HEX. LOCK NUT M4-7		2	*	matka	
001		INC. 32			*		
001-1	183D73-3	HOUSING SET	<	1		sk	
C10	263005-3	vymezovací čep 6		2			
C20	252126-6	HEX. LOCK NUT M4-7		2		matka	
001-1		INC. 32					
002	266429-2	TAPPING SCREW 3X16		8			
003	851W90-2	DTW190 NAME PLATE		1			
005	452399-3	F/R CHANGE LEVER		1		p	
006	632G34-3	SWITCH UNIT		1	*		
C10	688163-8	filtr		1	*	filtr AH3756 DCU180 DHS630 DHS710 DLM 460 DSS610 DTW190 DUH551 DUH651	
C20	688165-4	LINE FILTER		1	*	st	
006-1	632J81-2	SWITCH UNIT	<	1		p	
C10	688163-8	filtr		1		filtr AH3756 DCU180 DHS630 DHS710 DLM 460 DSS610 DTW190 DUH551 DUH651	
C20	688165-4	LINE FILTER		1		st	
C30	654086-2	RECEPTACLE		2			
C40	654199-9	RECEPTACLE		2			
007	643852-2	patice new 3 kontakty		1		patice =nov	
008	231907-1	pojistný kroužek 10		1			
012	266374-1	šroub 4x25		4			
013	143646-0	HAMMER CASE COMPLETE		1		kryt DTW190	
C10	213214-4	o-kroužek 16		1	*		
C11	213207-1	O RING 16	O	1	*		
C12	213882-3	O-RING 16	<	1		o-krou	
014	261151-6	NYLON WASHER 19		1		podlo	
016	135745-2	ANVIL E ASSEMBLY		1	*		
016		INC. 8			*		
016-1	135796-5	ANVIL E ASSEMBLY	<	1		kovadlinka=old13574 5-2	
016-1		INC. 8					
017	326110-8	HAMMER		1			
018	216040-0	STEEL BALL 3.5		24		kuli	
019	267175-0	podložka 6914D		1		podlo	
020	233430-2	pružina 24 BTD130-14ORFE		1		pru	
021	267766-7	podložka 14		1		podlo	
022	216041-8	STEEL BALL 5.6		2		kuli	
023	227362-3	SPUR GEAR 22		2		ozuben	
024	326109-3	SPINDLE		1		v	
025	256253-1	čep 5 6918D		2			
026	267212-0	podložka 6953		1		podlo	
027	227279-0	INTERNAL GEAR 51		1		obal	
028	210107-6	BALL BEARING 6001ZZ		1		lo	

029	453056-6	INTERNAL GEAR CASE		1		p	
030	629199-8	DC MOTOR		1		motor DTW190	
031	424476-1	CUSHION		1		tlum	
032	183D73-3	HOUSING SET		1	*	sk	
C10	263005-3	vymezovací čep 6		2	*		
C20	252126-6	HEX. LOCK NUT M4-7		2	*	matka	
032		INC. 1			*		
032-1	183D73-3	HOUSING SET	<	1		sk	
C10	263005-3	vymezovací čep 6		2			
C20	252126-6	HEX. LOCK NUT M4-7		2		matka	
032-1		INC. 1					
033	268284-8	PIN 1.5		1			
034	263036-2	spojka 5 BTW250RFE/BTL06		1		gumov	
A01	141856-3	PLASTIC CARRYING CASE COMPLETE		1			
C10	162302-3	spona		2		spona	
C20	324207-7	SHAFT		1			
C30	451749-9	HANDLE		1			
A01	821550-0	systainer Makpac 395x295x157 mm		1			
C10	453974-8	LATCH		4		spona Makpacu	
A02	808M86-4	DTW190RFE PLASTIC CASE LABEL		2			
A02	808M91-1	DTW190RME PLASTIC CASE LABEL		2			
A02	808M96-1	DTW190RTE PLASTIC CASE LABEL		2			
A02	838550-3	INNER TRAY		1			
A03	***DC18RC	DC18RC FAST CHARGER		1			
A03		COMPO-PARTS					
A03	808N04-8	DTW190RFJ INDICATION LABEL		1			
A04	194204-5	baterie BL1830 18V/3,0Ah Li-ion		2	*		
A04	197265-4	BATTERY BL1840B SET		2	*		
A04	197280-8	BATTERY BL1850B SET		2	*		
A04	808N05-6	DTW190RFJ PLASTIC CASE LABEL		2			
A04-1	197600-6	BATTERY BL1830B SET	<	2	*		
A04-1	197265-4	BATTERY BL1840B SET	O	2			
A04-1	197280-8	BATTERY BL1850B SET	O	2			
A04-2	197600-6	BATTERY BL1830B SET	O	2			
A05	450128-8	kryt baterie		1			
A05	***DC18RC	DC18RC FAST CHARGER		1			
A05		COMPO-PARTS					
A06-1	197600-6	BATTERY BL1830B SET		2	*		
A06-2	197600-6	BATTERY BL1830B SET	O	2			
A07	450128-8	kryt baterie		1			
F01	195779-7	HOOK SET		1			

Prosím uveďte objednáčíslo dílu v objednávce

Datum tisku 23. 10. 2024