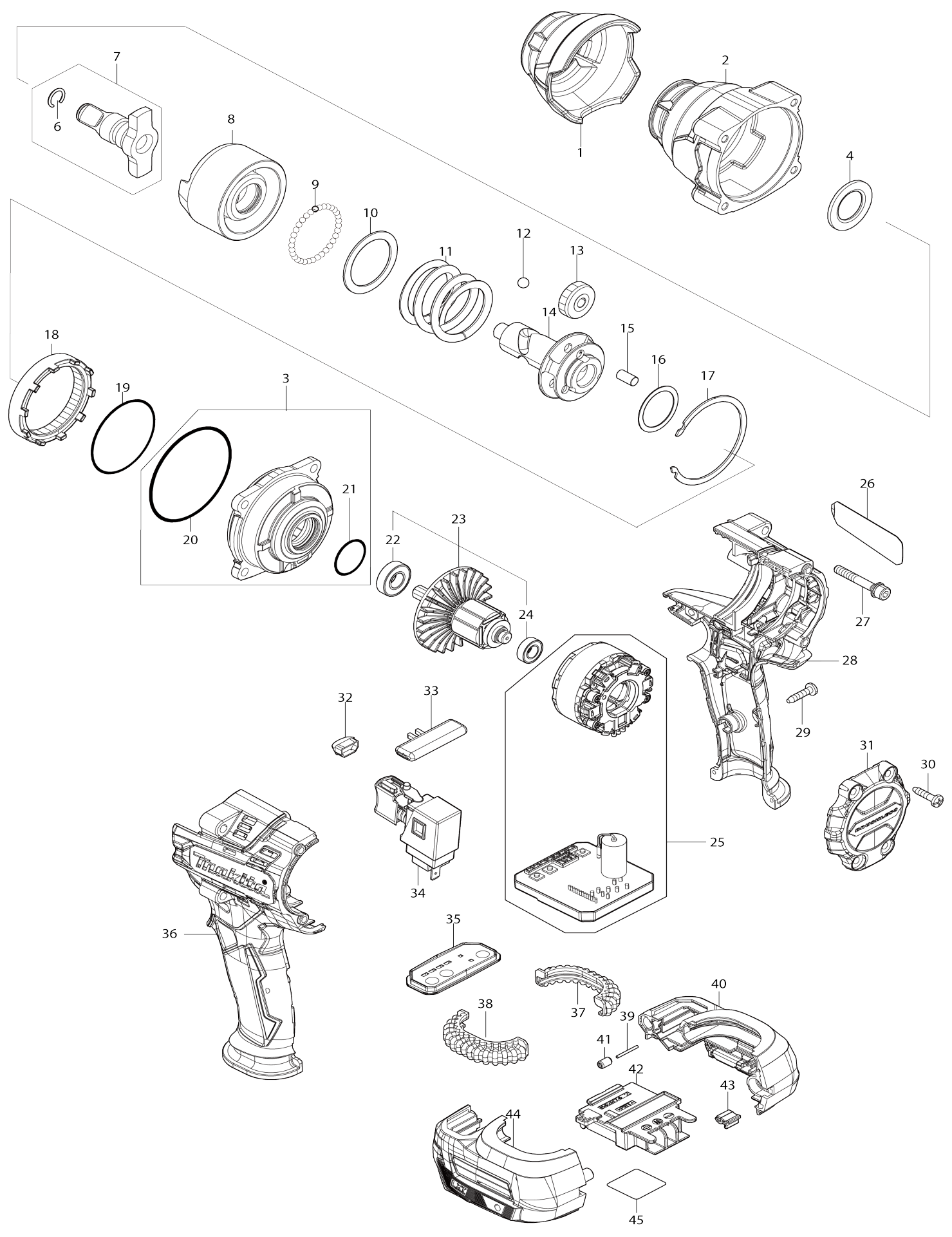


# Model No.DTW700 CORDLESS IMPACT WRENCH



**Model No.DTW700 CORDLESS IMPACT WRENCH**

Obj. č.	Obj. č.	Popis	Možn ost zá měny	Množ ství	Nový/ Starý	Poznámka 1	Poznámka 2
001	422607-6	BUMPER		1		doraz	
002	140U47-9	HAMMER CASE COMPLETE		1	*		
002-1	141U35-9	HAMMER CASE COMPLETE	<	1		pouzdro	
003	136296-8	INTERNAL GEAR CASE ASS'Y		1		d	
003		INC. 20,21					
004	253481-9	FLAT WASHER 20		1		podlo	
006	231907-1	pojistný kroužek 10		1			
007	136256-0	ANVIL ASS'Y		1		v	
007		INC. 6					
008	327624-0	HAMMER		1		kladivo	
009	216001-0	kulička 3.5		33			
010	267340-1	FLAT WASHER 32		1		podlo	
011	232629-6	COMPRESSION SPRING 34		1		pru	
012	216007-8	kulička 6.4		2		kuli	
013	227813-6	SPUR GEAR 21		3		kolo	
014	327623-2	SPINDLE		1		v	
015	256211-7	PIN 6		3			
016	267494-4	FLAT WASHER 25		1	*		
016-1	267127-1	podložka 26 9046/HR2010	O	1		podlo	
017	347722-4	RETAINER		1		podlo	
018	227814-4	INTERNAL SPUR GEAR 48		1		kolo	
019	213624-5	o kkroužek 48		1	*	o kkrou	
020	213654-6	o-kroužek 60		1		o-krou	
021	213961-7	O RING 22		1			
022	210069-8	BALL BEARING 6900DDW		1		kuli	
023	519635-1	ROTOR ASS'Y		1		rotor STOP	
023		INC. 22,24					
024	211343-7	BALL BEARING 688ZZ		1		kuli	
025	629A06-1	STATOR COMPLETE		1		stator	
026	857M03-1	DTW700 NAME PLATE		1			
027	251476-6	H.S.H.BOLT M5X35 WITH WR		4	*		
027-1	265D13-4	H.S.H.BOLT M5X35 WITH WRM	<	4			
028	183P88-2	HOUSING SET		1		obal	
028		INC. 36					
029	266326-2	šroub 4x18=new265995-6		7			
030	266326-2	šroub 4x18=new265995-6		4			
031	412673-1	REAR COVER		1		kryt	
032	620549-0	LED CIRCUIT		1		led okruh	
033	456268-0	F/R CHANGE LEVER		1		p	
034	140U03-9	SWITCH COMPLETE		1		vyp	
C10	424774-3	SWITCH COVER		1			
035	140U53-4	SWITCH PLATE COMPLETE		1		ovl	
C10	8012S9-8	SWITCH LABEL		1			
036	183P88-2	HOUSING SET		1		obal	
036		INC. 28					
037	424773-5	CUSHION RUBBER		1	*	guma DTW1001 DTW 1002 DTW800=new4 22A56-3	
037-1	422A56-3	CUSHION RUBBER	<	1		guma	

038	424773-5	CUSHION RUBBER		1	*	guma DTW1001 DTW 1002 DTW800=new4 22A56-3	
038-1	422A56-3	CUSHION RUBBER	<	1		guma	
039	268284-8	PIN 1.5		1			
040	183P89-0	BATTERY HOUSING SET		1		pouzdro baterie	
C10	263005-3	vymezovací čep 6		2			
C20	252126-6	HEX. LOCK NUT M4-7		2		matka	
040		INC. 44					
041	263036-2	spojka 5 BTW250RFE/BTL06		1		gumov	
042	643874-2	TERMINAL		1		kontakt	
043	424517-3	CUSHION		1		doraz DTW285	
044	183P89-0	BATTERY HOUSING SET		1		pouzdro baterie	
C10	263005-3	vymezovací čep 6		2			
C20	252126-6	HEX. LOCK NUT M4-7		2		matka	
044		INC. 40					
045	857M11-2	DTW700 SERIAL NO. LABEL		1			
A01	251314-2	028078		1			
A02	347723-2	HOOK		1		h	
A03	***DC18RC	DC18RC FAST CHARGER		1			
A03		COMPO-PARTS					
A04	450128-8	kryt baterie		1			
A05	197280-8	BATTERY BL1850B SET		2			
A06	821551-8	systainer Makpac 395x295x210 mm		1			
C10	453974-8	LATCH		4		spona Makpacu	
A07	837645-9	INNER TRAY		1			
A08	8019U3-6	DTW700RTJ PLASTIC CASE LABEL		2			
A09	8019U2-8	DTW700RTJ INDICATION LABEL		1			
F01	191G67-2	EXTENSION HANDLE SET		1			

Prosím uveďte objednáčíslo dílu v objednávce

Datum tisku 23. 10. 2024