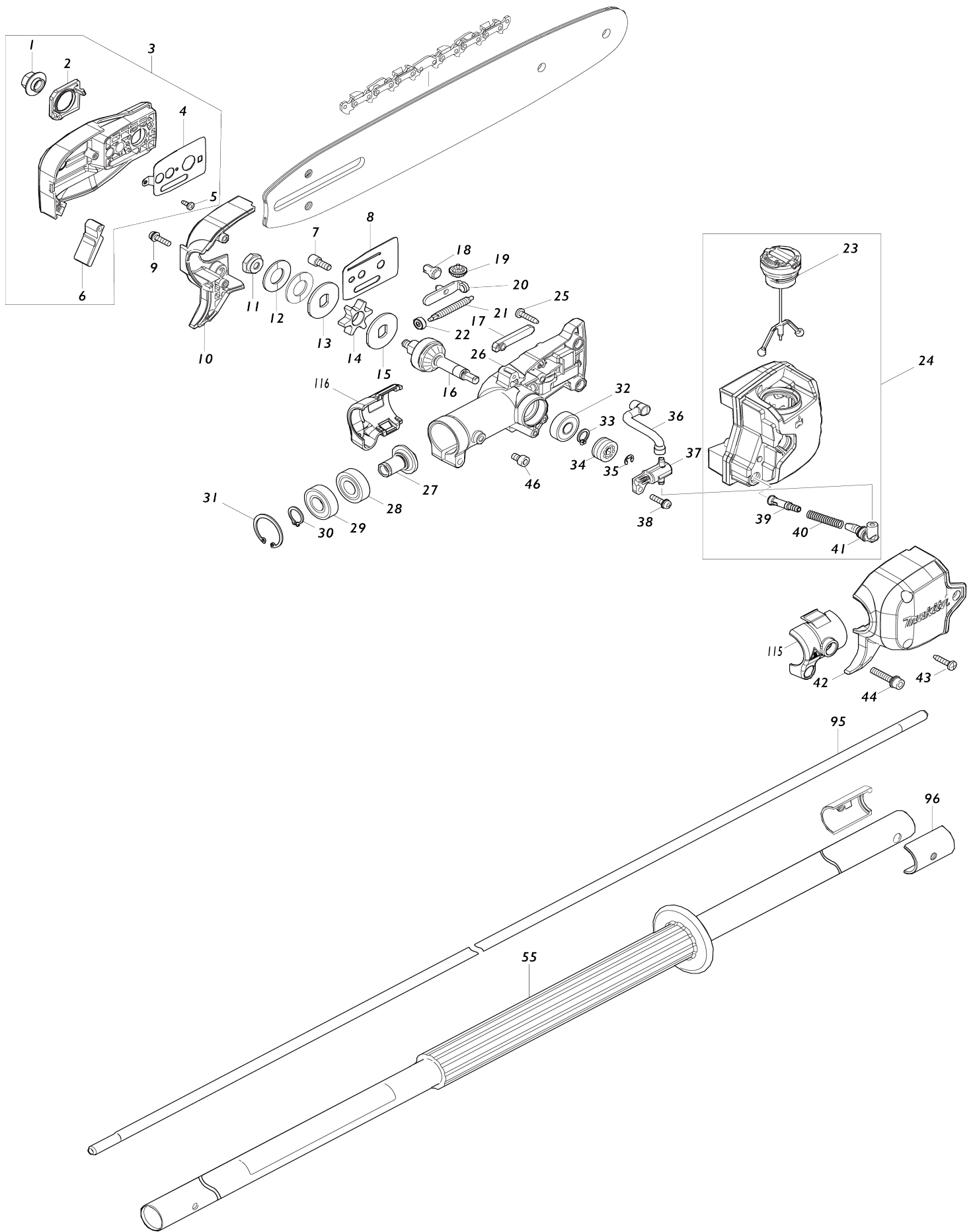
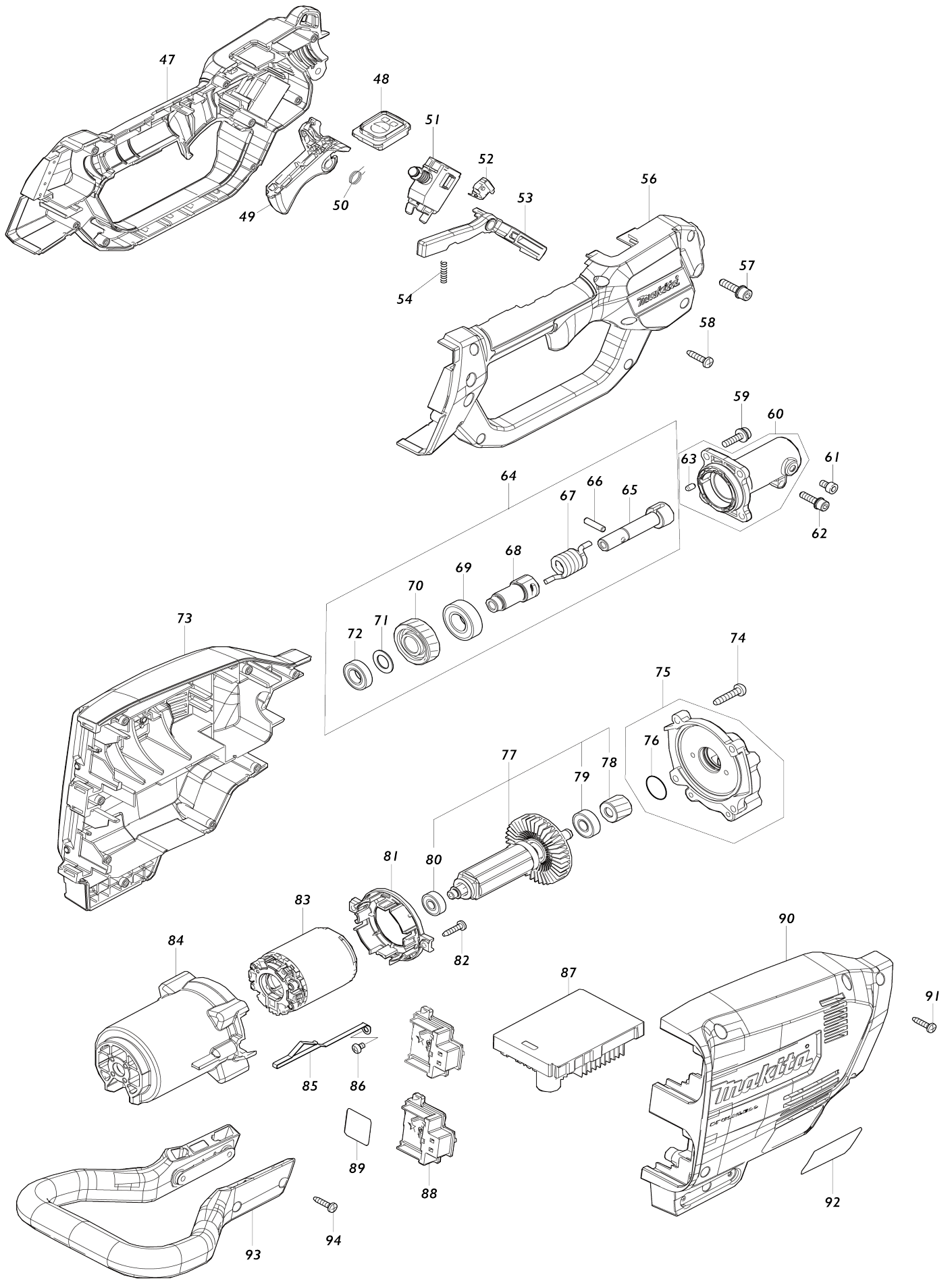


Model No.DUA300 300MM CORDLESS POLE SAW



Model No.DUA300 300MM CORDLESS POLE SAW



Model No.DUA300 300MM CORDLESS POLE SAW

Obj. č.	Obj. č.	Popis	Možn ost zá měny	Množ ství	Nový/ Starý	Poznámka 1	Poznámka 2
001	162494-8	FLANGE NUT COMPLETE		1		matka	
002	412638-3	NUT COVER		1			
003	136373-6	SPROCKET COVER ASSY		1		kryt	
003		INC. 1,2,4-6					
004	347707-0	GUIDE PLATE L		1			
005	265954-0	tapping screw bind PT3x8		1			
006	422599-9	CHIP GUIDE		1			
007	266905-6	H.L. SOCKET HEAD BOLT M5X12		1			
008	347708-8	GUIDE PLATE R		1		veden	
009	911128-8	P.H.SCREW M4X16 WITH WR		2			
010	183P83-2	GEAR CASE HOUSING SET		1		obal p	
010		INC. 42					
011	252291-1	HEX. NUT M6		1		matka	
012	232626-2	CORNED DISK SPRING 14		2		disk	
013	347705-4	LOCK WASHER 12		1		podlo	
014	226992-7	SPROCKET 6		1		vzp	
015	347705-4	LOCK WASHER 12		1		podlo	
016	141D34-9	SPINDLE COMPLETE A		1	*		
016-1	140V32-8	SPINDLE COMPLETE	O	1		v	
017	422602-6	GROMET		1		chr	
018	227620-7	DRIVE GEAR 14		1			
019	227634-6	STRAIGHT BEVEL GEAR 14		1		ozuben	
020	347706-2	TENSION SLIDE		1		nap	
021	327606-2	ADJUST SCREW		1		nap	
022	227496-2	ozubené kolo UC3020A=old2262 13320		1		ozuben	
023	126832-8	TANK CAP ASSEMBLY		1		v	
C10	213894-6	O-RING 25		1	*		
C11	213A11-4	O-RING 25	O	1			
024	136372-8	OIL TANK ASSEMBLY		1	*	n	
024		INC. 23,39-41			*		
024-1	137016-3	OIL TANK ASSEMBLY	<	1		n	
024-1		INC. 23,39-41					
025	266326-2	šroub 4x18=new265995-6		3			
026	136301-1	GEAR CASE ASSEMBLY		1	*	obal p	
C10	213437-4	O RING 28		1	*		
026-1	137017-1	GEAR CASE ASS'Y	<	1		sk	
C10	213437-4	O RING 28		1			
027	141D35-7	SPIRAL BEVEL GEAR 18 COMPLET E		1	*	pru	
027-1	226995-1	SPIRAL BEVEL GEAR 18	O	1		ozuben	
028	211131-2	kuličkové ložisko 6001DDW =old 922041		1		lo	
029	211148-5	kuličkové ložisko 6001 ZZ		1		kuli	
030	961052-5	segrovka vnější S-12		1		segrovka	
031	962106-1	RETAINING RING R-28		1		krou	
032	211491-2	BALL BEARING 609DDW		1			
033	961005-4	segrovka S-9		1			
034	226884-0	WORM GEAR		1		p	

035	961011-9	zajišťovací kroužek		1		zaji	
036	422600-0	OIL TUBE 3-70		1		trubka	
037	140U04-7	OIL PUMP COMPLETE		1	*	olejov	
037-1	141N25-0	OIL PUMP COMPLETE	O	1		olejov	
038	911128-8	P.H.SCREW M4X16 WITH WR		1			
039	452666-6	NIPPLE		1	*		
039-1	452666-6	NIPPLE	O	1			
040	231975-4	pružina DCS230T/UC3020A=old0 21245060		1		pru	
041	422601-8	OIL TUBE 3-14		1			
042	183P83-2	GEAR CASE HOUSING SET		1		obal p	
042		INC. 10					
043	266326-2	šroub 4x18=new265995-6		3			
044	922243-3	Hex. Socket Head Bolt M5		1			
046	922202-7	HEX. SOCKET HEAD BOLT M5X8		1			
047	183P85-8	GRIP SET		1		dr	
C10	931202-6	HEX. NUT M5		1			
047		INC. 56					
048	140V21-3	SWITCH CIRCUIT COMPLETE		1		vyp	
C10	819S81-5	SWITCH LABEL		1			
049	459758-2	SWITCH LEVER		1		p	
050	233622-3	TORSION SPRING 12		1		pru	
051	651438-8	SWITCH C3JW-6B-PAN		1		vyp	
052	632G61-0	SWITCH UNIT		1		vyp	
053	459759-0	LOCK OFF LEVER		1		p	
054	233101-1	vinutá pružina 4		1		vinut	
055	140V09-3	PIPE 24 COMPLETE B		1		rukoje	
C10	8016N5-5	CAUTION LABEL		1			
056	183P85-8	GRIP SET		1		dr	
C10	931202-6	HEX. NUT M5		1			
056		INC. 47					
057	922233-6	H.S.H.BOLT M5X20 WITH WR		1			
058	266326-2	šroub 4x18=new265995-6		8			
059	911233-1	šroub M5x20		4			
060	136371-0	PIPE BRACKET ASSY		1		dr	
060		INC. 63					
061	922202-7	HEX. SOCKET HEAD BOLT M5X8		1			
062	922233-6	H.S.H.BOLT M5X20 WITH WR		1			
063	263002-9	vymezovací čep 4		1			
064	127641-8	DAMPER SHAFT ASSEMBLY		1		doraz	
064		INC. 65-72					
065	327600-4	JOINT SLEEVE		1			
066	256964-8	PIN 5		1			
067	232625-4	TORSION SPRING 12		1			
068	327601-2	SPINDLE HUB		1			
069	211232-6	Ball Bearing 6002LLU		1		kuli	
070	226997-7	HELICAL GEAR 33		1			
071	253744-3	podložka 12		1		podlo	
072	211150-8	ložisko 6935FD		1			
073	183P84-0	HOUSING SET		1		obal	
C10	263005-3	vymezovací čep 6		10			
073		INC. 90					

074	266459-3	TAPPING SCREW 5X25		4		
075	136230-8	GEAR BOX ASSY		1		p
075		INC. 76				
076	213961-7	O RING 22		1		
077	510470-0	ROTOR ASSY		1		rotor
077		INC. 78-80				
078	226996-9	HELICAL GEAR 16		1		ozuben
079	210005-4	kulič. ložisko 608DDW = old 2110 31-6		1		kuli
080	210062-2	ložisko MT952		1		kuli
081	459764-7	BAFFLE PLATE		1		deska
082	266326-2	šroub 4x18=new265995-6		2		
083	629A12-6	STATOR		1	*	stator
083-1	629C15-2	STATOR	S	1		stator =old 629462-9
084	459763-9	MOTOR HOUSING		1		obal motoru
085	347620-2	PLATE		1	*	deska
085-1	654887-8	EARTH PLATE	O	1		deska =old 347620-2
086	911102-6	PAN HEAD SCREW M4X6		1		
087	620C83-8	CONTROLLER		1	*	ovl
087-1	620F57-7	CONTROLLER	<	1		ovlada
088	644809-6	TERMINAL		2		kontakt
089	857J52-0	DUA300 SERIAL NO. LABEL		1		
090	183P84-0	HOUSING SET		1		obal
C10	263005-3	vymezovací čep 6		10		
090		INC. 73				
091	266326-2	šroub 4x18=new265995-6		8		
092	857J50-4	DUA301 NAME PLATE		1		
093	412645-6	GUARD		1		chr
094	266326-2	šroub 4x18=new265995-6		4		
095	327608-8	SHAFT		1		h
096	312A03-1	SLEEVE 28		2		pouzdro
115	183R91-5	GEAR CASE COVER SET		1		obal p
115		INC. 116				
116	183R91-5	GEAR CASE COVER SET		1		obal p
116		INC. 115				
129	620K74-7	CONTROLLER B	S	1		elektronika
130	638A33-7	LEAD UNIT	S	1		
131	652119-7	PAN HEAD SCREW M2X6	S	6		
A01	165245-8	GUIDE BAR 12		1		
A02	419288-5	kryt pro UC3020/3520A		1	*	
A02-1	419288-5	kryt pro UC3020/3520A	O	1		
A03	196740-7	SAW CHAIN SET		1	*	
A03-1	191H01-8	SAW CHAIN 12 SET	O	1		
A04	782023-7	WRENCH 13-16		1		
A05	195923-6	ROUND FILE 4.5 SET		1	*	
A05-1	D-70954	FILE HOLDER SET 4.5MM(1 1/64")	O	1		
A06	199897-3	OIL VESSEL SET		1		
A10	191K37-5	BAND ASSEMBLY SET		1		
A12	***DC18RD	DC18RD TWO PORT FAST CHARG ER		1		
A12		COMPO-PARTS				
A13	197280-8	BATTERY BL1850B SET		2		

F08	195093-1	CHAIN OIL SET		1		
F09	195923-6	ROUND FILE 4.5 SET		1	*	
F09-1	D-70954	FILE HOLDER SET 4.5MM(11/64")	O	1		
F10	196205-9	SAW CHAIN SET		1	*	
F10-1	191H08-4	SAW CHAIN 10 SET	O	1		
F11	196206-7	SAW CHAIN SET		1	*	
F12	196740-7	SAW CHAIN SET		1	*	
F12-1	191H01-8	SAW CHAIN 12 SET	O	1		
F13	198457-8	CHAIN EDGER SET		1	*	
F13-1	D-70948	FILE HOLDER SET 4.0MM(5/32")	O	1		
F14	199075-5	SAW CHAIN SET		1	*	
F18	1910J6-0	ANGLED ATTACHMENT SET		1		

Prosím uveďte objednáací číslo dílu v objednávce

Datum tisku 23. 10. 2024