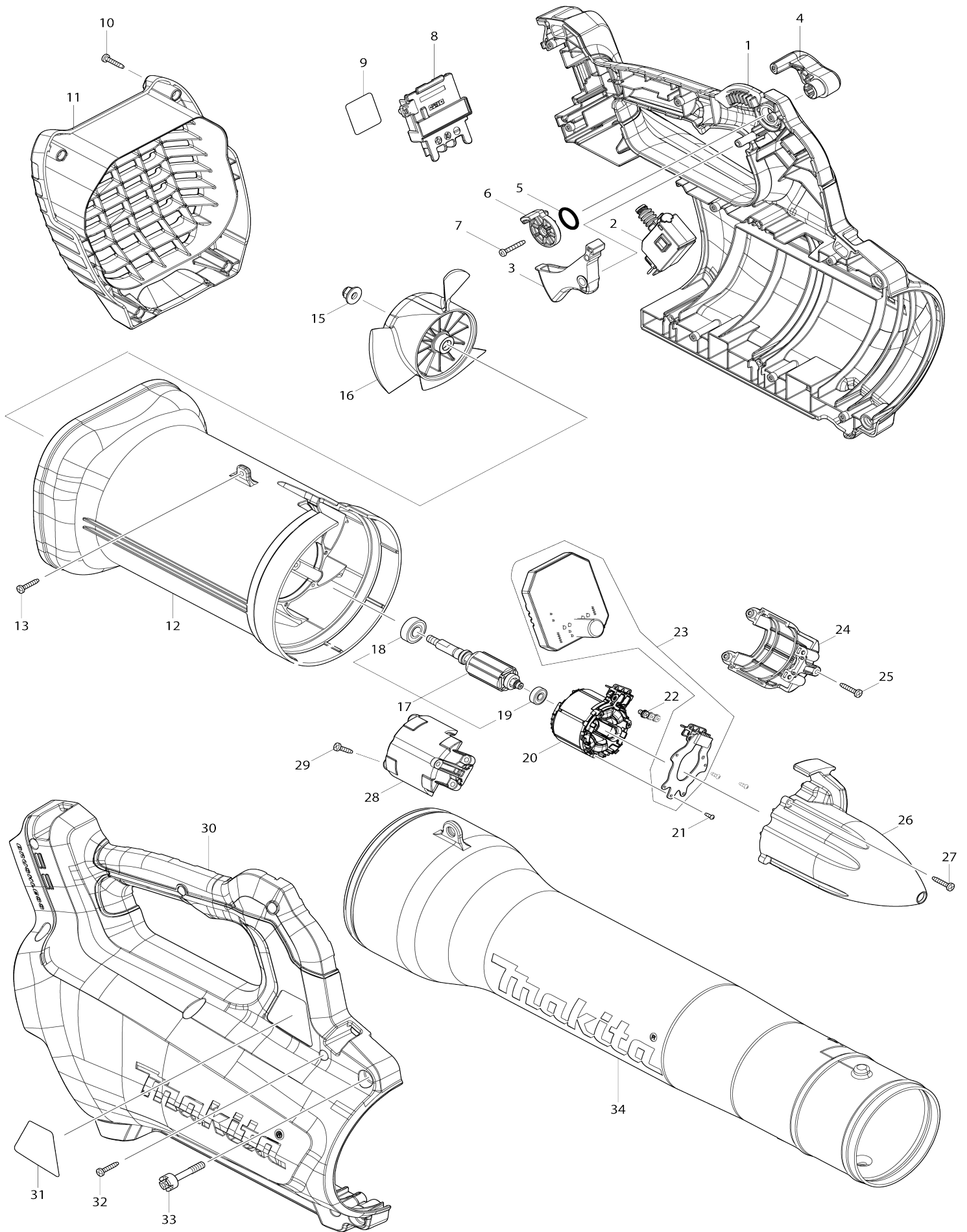


Model No.DUB184 CORDLESS BLOWER



Model No.DUB184 CORDLESS BLOWER

Obj. č.	Obj. č.	Popis	Možn ost zá měny	Množ ství	Nový/ Starý	Poznámka 1	Poznámka 2
001	183M74-5	HOUSING SET		1	*		
C10	263005-3	vymezovací čep 6		2	*		
C20	806D81-4	CAUTION LABEL		1	*		
001		INC. 30			*		
001-1	183N88-0	HOUSING SET	<	1	*	obal=old183M74-5	
C10	263005-3	vymezovací čep 6		2	*		
C20	806D81-4	CAUTION LABEL		1	*		
C21	8011Y4-4	CAUTION LABEL	O	1	*		
001-1		INC. 30			*		
001-2	183N88-0	HOUSING SET	O	1		obal=old183M74-5	
C10	263005-3	vymezovací čep 6		2			
C21	8012T7-9	CAUTION LABEL	O	1			
001-2		INC. 30					
002	651395-0	SWITCH C3JW-6B-PA6N		1		vyp	
003	459696-8	SWITCH LEVER		1		p	
004	459697-6	CONTROL LEVER		1		p	
005	213154-6	o kroužek 14		1		o krou	
006	459698-4	LINK		1		veden	
007	266127-8	933321		1		933321 DUB184 EK76 51H	
008	643874-2	TERMINAL		1		kontakt	
009	856D78-3	DUB184 SERIAL NO. LABEL		1			
010	266130-9	šroub PT 3X		4			
011	459699-2	REAR COVER		1		kryt	
012	459695-0	FAN HOUSING		1		kryt	
013	266130-9	šroub PT 3X		3			
015	252286-4	COLLARED HEX.LOCK NUT M5-8		1		matka M5-8 DUB184 =old252103-8	
016	240177-1	FAN 110		1		v	
017	519580-0	ROTOR ASS'Y		1		rotor DUB184	
017		INC. 18,19					
018	210040-2	BALL BEARING 698LLU		1			
019	211157-4	BALL BEARING 695ZZ		1		lo	
020	629292-8	STATOR		1		stator DJR188 DUB18 4	
021	266490-9	TAPPING SCREW PT 2X6		3	*		
021-1	265C47-1	TAPPING SCREW PT 2X6	O	3			
022	652069-6	FLAT HEAD SCREW M3X6		3			
023	620B77-7	CONTROLLER		1	*	elektronika DUB184	
023-1	620B77-7	CONTROLLER	O	1		elektronika DUB184	
024	183M64-8	MOTOR HOUSING SET		1		obal motoru	
024		INC. 28					
025	266130-9	šroub PT 3X		2			
026	459700-3	CAP		1		v	
027	266130-9	šroub PT 3X		3			
028	183M64-8	MOTOR HOUSING SET		1		obal motoru	
028		INC. 24					
029	266130-9	šroub PT 3X		4			
030	183M74-5	HOUSING SET		1	*		

C10	263005-3	vymezovací čep 6		2	*	
C20	806D81-4	CAUTION LABEL		1	*	
030		INC. 1			*	
030-1	183N88-0	HOUSING SET	<	1	*	obal=old183M74-5
C10	263005-3	vymezovací čep 6		2	*	
C20	806D81-4	CAUTION LABEL		1	*	
C21	8011Y4-4	CAUTION LABEL	O	1	*	
030-1		INC. 1			*	
030-2	183N88-0	HOUSING SET	O	1		obal=old183M74-5
C10	263005-3	vymezovací čep 6		2		
C21	8012T7-9	CAUTION LABEL	O	1		
030-2		INC. 1				
031	856D71-7	DUB184 NAME PLATE		1		
032	266130-9	šroub PT 3X		9		
033	251570-4	HEX.SOCKET HEAD BOLT M5X30		2		
034	459701-1	FRONT NOZZLE		1	*	
034-1	183P96-3	FRONT NOZZLE SET	O	1		integrovan
A01	783202-0	klíč inbus 4		1		kl
A02	166094-6	SHOULDER BELT		1		
A03	456957-7	EXTENSION NOZZLE		1	*	
A03-1	183P97-1	EXTENSION NOZZLE SET	O	1		
A04	456958-5	FLAT NOZZLE		1	*	
A04-1	183P98-9	FLAT NOZZLE SET	O	1		tryska
A05	191B21-6	ADAPTER PIPE 80-72 SET		1	*	
A05-1	191L13-5	ADAPTER PIPE 80-72 SET	<	1		adapt
A07	***DC18RC	DC18RC FAST CHARGER		1		
A07		COMPO-PARTS				
A08	197280-8	BATTERY BL1850B SET		1		
E01	807811-2	SOUND 96DB LABEL		1		
F03	197888-8	EXTENSION NOZZLE SET		1		
F04	197889-6	FLAT NOZZLE SET		1		hubice ploch
F06	191B03-8	GUTTER NOZZLE SET		1		
C10	459816-4	EXTENSION PIPE 72		3		
C20	162790-4	END NOZZLE COMPLETE		1		
C30	281030-2	HOSE CLAMP 75-90		2		
C40	281031-0	HOSE CLAMP 85-100		1		
F07	1915C8-7	WATER BLOWING NOZZLE SET		1		

Prosím uveďte objednáčíslo dílu v objednávce

Datum tisku 23. 10. 2024