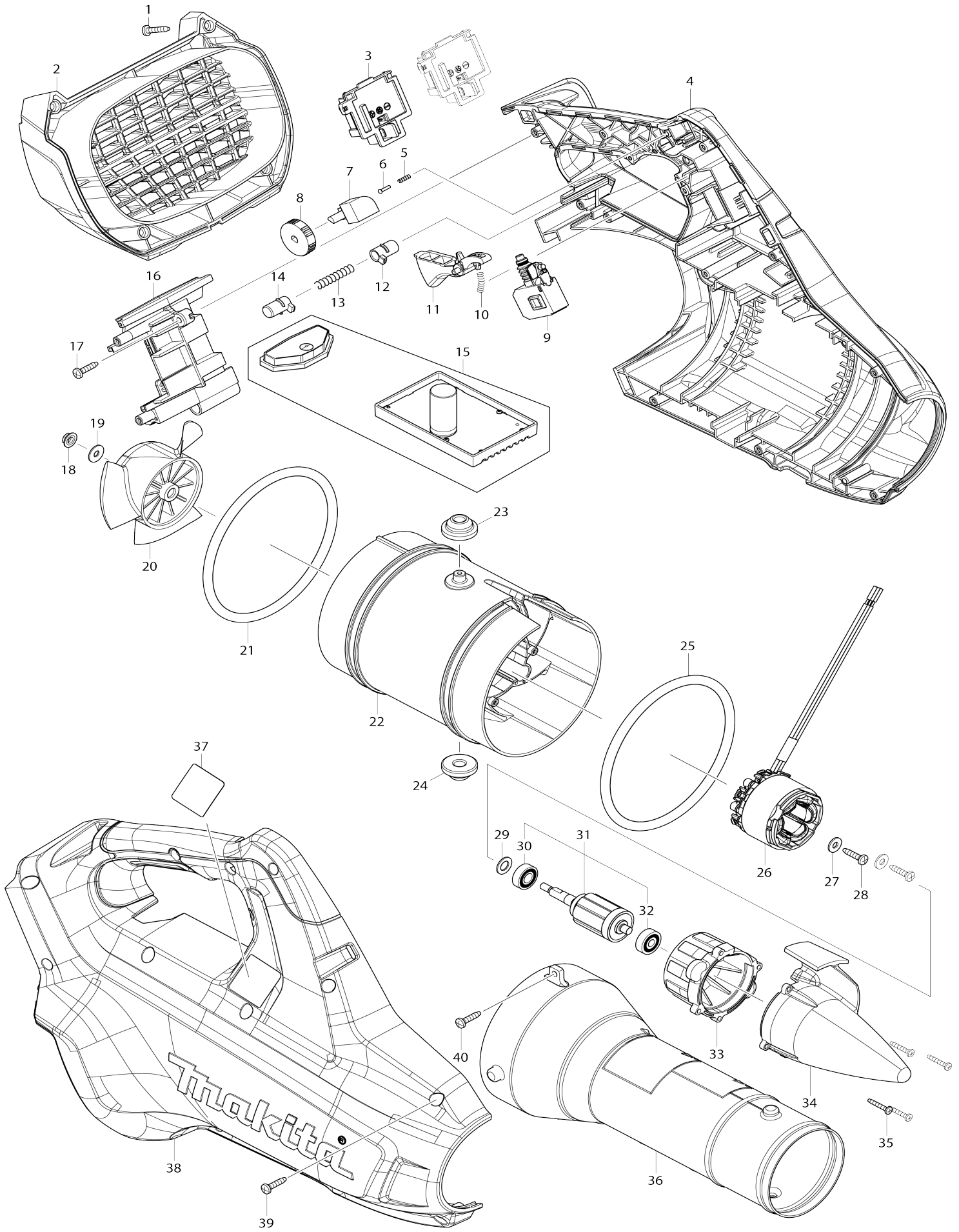


# Model No.DUB362 CORDLESS BLOWER



**Model No.DUB362 CORDLESS BLOWER**

| Obj. č. | Obj. č.  | Popis                            | Možn<br>ost zá<br>měny | Množ<br>ství | Nový/<br>Starý | Poznámka 1                        | Poznámka 2 |
|---------|----------|----------------------------------|------------------------|--------------|----------------|-----------------------------------|------------|
| 001     | 266326-2 | šroub 4x18=new265995-6           |                        | 4            |                |                                   |            |
| 002     | 455912-6 | REAR COVER                       |                        | 1            |                | p                                 |            |
| 003     | 644808-8 | TERMINAL                         |                        | 2            |                | terminal                          |            |
| 004     | 183A81-6 | HOUSING SET                      |                        | 1            | *              |                                   |            |
| C10     | 263005-3 | vymezovací čep 6                 |                        | 2            | *              |                                   |            |
| C20     | 806D81-4 | CAUTION LABEL                    |                        | 1            | *              |                                   |            |
| C21     | 8011Y4-4 | CAUTION LABEL                    | O                      | 1            | *              |                                   |            |
| 004     |          | INC. 38                          |                        |              | *              |                                   |            |
| 004-1   | 183A81-6 | HOUSING SET                      | O                      | 1            |                |                                   |            |
| C10     | 263005-3 | vymezovací čep 6                 |                        | 2            |                |                                   |            |
| C21     | 8012T7-9 | CAUTION LABEL                    | O                      | 1            |                |                                   |            |
| 004-1   |          | INC. 38                          |                        |              |                |                                   |            |
| 005     | 233002-3 | vinutá pružina                   |                        | 1            |                | vinut                             |            |
| 006     | 255058-6 | čep 2                            |                        | 1            |                |                                   |            |
| 007     | 620415-1 | SUB CONTROLLER                   |                        | 1            |                | vnit                              |            |
| 008     | 271427-3 | DIAL 28                          |                        | 1            |                |                                   |            |
| 009     | 650709-0 | SWITCH C3JW-1A-P                 |                        | 1            |                | vyp                               |            |
| 010     | 233101-1 | vinutá pružina 4                 |                        | 1            |                | vinut                             |            |
| 011     | 455913-4 | SWITCH LEVER                     |                        | 1            | *              |                                   |            |
| 011-1   | 458864-0 | SWITCH LEVER                     | <                      | 1            |                | p                                 |            |
| 012     | 418881-2 | LOCK ON BUTTON                   |                        | 1            |                |                                   |            |
| 013     | 233092-6 | vinutá pružina=new233084-5       |                        | 1            |                |                                   |            |
| 014     | 418881-2 | LOCK ON BUTTON                   |                        | 1            |                |                                   |            |
| 015     | 143166-4 | CONTROLLER COMPLETE              |                        | 1            | *              | elektronika cpl.=new<br>141N60-8  |            |
| 015-1   | 141N60-8 | CONTROLLER COMPLETE              | S                      | 1            |                | elektronika cpl.                  |            |
| 016     | 143146-0 | CENTER CASE COMPLETE             |                        | 1            |                | obal DUB362                       |            |
| C10     | 263005-3 | vymezovací čep 6                 |                        | 2            |                |                                   |            |
| 017     | 266326-2 | šroub 4x18=new265995-6           |                        | 2            |                |                                   |            |
| 018     | 264111-7 | CORNED DISK SPRING HEX.NUT<br>M5 |                        | 1            | *              |                                   |            |
| 018-1   | 252103-8 | zajišťovací šroub M5-8           | <                      | 1            | *              |                                   |            |
| 018-2   | 252286-4 | COLLARED HEX.LOCK NUT M5-8       | S                      | 1            |                | matka M5-8 DUB184<br>=old252103-8 |            |
| 019     | 253194-2 | podložka                         |                        | 1            | *              | podlo                             |            |
| 020     | 240158-5 | FAN 110                          |                        | 1            | *              |                                   |            |
| 020-1   | 240177-1 | FAN 110                          | <                      | 1            |                | v                                 |            |
| 021     | 424721-4 | RUBBER RING 115                  |                        | 1            |                | gumov                             |            |
| 022     | 455907-9 | MOTOR HOUSING                    |                        | 1            | *              | obal motoru                       |            |
| 022-1   | 455907-9 | MOTOR HOUSING                    | O                      | 1            |                | obal motoru                       |            |
| 023     | 424194-1 | RUBBER RING 8                    |                        | 1            |                |                                   |            |
| 024     | 424194-1 | RUBBER RING 8                    |                        | 1            | *              |                                   |            |
| 025     | 424721-4 | RUBBER RING 115                  |                        | 1            |                | gumov                             |            |
| 026     | 629153-2 | STATOR DC36V                     |                        | 1            | *              | stator                            |            |
| 026-1   | 629B73-2 | STATOR                           | S                      | 1            |                | stator =old 629153-2              |            |
| 027     | 253184-5 | FLAT WASHER 5                    |                        | 2            | *              |                                   |            |
| 028     | 266326-2 | šroub 4x18=new265995-6           |                        | 2            | *              |                                   |            |
| 028-1   | 265620-9 | TAPPING SCREW FLANGE 4X18        | S                      | 2            |                |                                   |            |
| 029     | 253835-0 | podložka                         |                        | 1            | *              | podlo                             |            |

|       |          |                              |   |    |   |                     |  |
|-------|----------|------------------------------|---|----|---|---------------------|--|
| 030   | 210040-2 | BALL BEARING 698LLU          |   | 1  |   |                     |  |
| 031   | 519366-2 | ROTOR ASS'Y                  |   | 1  | * |                     |  |
| 031   |          | INC. 30,32                   |   |    | * |                     |  |
| 031-1 | 519444-8 | ROTOR ASS'Y                  | O | 1  | * | rotor =old 519366-2 |  |
| 031-1 |          | INC. 30,32                   |   |    | * |                     |  |
| 031-2 | 519444-8 | ROTOR ASS'Y                  | O | 1  |   | rotor =old 519366-2 |  |
| 031-2 |          | INC. 30,32                   |   |    |   |                     |  |
| 032   | 210022-4 | kuličkové ložisko 626 DDW    |   | 1  |   |                     |  |
| 033   | 455908-7 | MOTOR HOUSING COVER          |   | 1  |   | obal motoru         |  |
| 034   | 455909-5 | CAP                          |   | 1  | * | v                   |  |
| 034-1 | 455909-5 | CAP                          | O | 1  |   | v                   |  |
| 035   | 265935-4 | TAPPING SCREW 3X20           |   | 4  |   |                     |  |
| 036   | 455914-2 | FRONT NOZZLE                 |   | 1  |   | p                   |  |
| 037   | 850U44-4 | DUB362 NAME PLATE            |   | 1  |   |                     |  |
| 038   | 183A81-6 | HOUSING SET                  |   | 1  | * |                     |  |
| C10   | 263005-3 | vymezovací čep 6             |   | 2  | * |                     |  |
| C20   | 806D81-4 | CAUTION LABEL                |   | 1  | * |                     |  |
| C21   | 8011Y4-4 | CAUTION LABEL                | O | 1  | * |                     |  |
| 038   |          | INC. 4                       |   |    | * |                     |  |
| 038-1 | 183A81-6 | HOUSING SET                  | O | 1  |   |                     |  |
| C10   | 263005-3 | vymezovací čep 6             |   | 2  |   |                     |  |
| C21   | 8012T7-9 | CAUTION LABEL                | O | 1  |   |                     |  |
| 038-1 |          | INC. 4                       |   |    |   |                     |  |
| 039   | 266326-2 | šroub 4x18=new265995-6       |   | 12 |   |                     |  |
| 040   | 266326-2 | šroub 4x18=new265995-6       |   | 2  | * |                     |  |
| 040-1 | 266300-0 | TAPPING SCREW 4X18           | < | 2  | * |                     |  |
| 040-2 | 265678-8 | TAPPING SCREW 4X18           | O | 2  |   |                     |  |
| 041   | 620K96-7 | CONTROLLER B                 | S | 1  |   |                     |  |
| 042   | 652119-7 | PAN HEAD SCREW M2X6          | S | 6  |   |                     |  |
| A01   | 166094-6 | SHOULDER BELT                |   | 1  |   |                     |  |
| A02   | 455915-0 | LONG NOZZLE                  |   | 1  | * |                     |  |
| A02-1 | 455915-0 | LONG NOZZLE                  | O | 1  | * |                     |  |
| A02-2 | 183R02-0 | LONG NOZZLE SET              | O | 1  |   |                     |  |
| A07   | 456958-5 | FLAT NOZZLE                  |   | 1  | * |                     |  |
| A07-1 | 183P98-9 | FLAT NOZZLE SET              | O | 1  |   | tryska              |  |
| E01   | 807811-2 | SOUND 96DB LABEL             |   | 1  |   |                     |  |
| F02-2 | 197267-0 | BATTERY BL1840B SET          | O | 1  |   |                     |  |
| F03-2 | 197267-0 | BATTERY BL1840B SET          | O | 1  |   |                     |  |
| F04-2 | 197265-4 | BATTERY BL1840B SET          | O | 1  |   |                     |  |
| F05-2 | 197265-4 | BATTERY BL1840B SET          | O | 1  |   |                     |  |
| F07-2 | 197273-5 | BATTERY BL1840B SET(2PIECES) | O | 1  |   |                     |  |
| F10   | 197888-8 | EXTENSION NOZZLE SET         |   | 1  |   |                     |  |
| F11   | 197889-6 | FLAT NOZZLE SET              |   | 1  |   | hubice ploch        |  |
| F16   | 191B03-8 | GUTTER NOZZLE SET            |   | 1  |   |                     |  |
| C10   | 459816-4 | EXTENSION PIPE 72            |   | 3  |   |                     |  |
| C20   | 162790-4 | END NOZZLE COMPLETE          |   | 1  |   |                     |  |
| C30   | 281030-2 | HOSE CLAMP 75-90             |   | 2  |   |                     |  |
| C40   | 281031-0 | HOSE CLAMP 85-100            |   | 1  |   |                     |  |
| F17   | 191J13-3 | ADAPTER PIPE 71 SET          |   | 1  |   |                     |  |
| F18   | 197254-9 | BATTERY BL1820B SET          |   | 1  |   |                     |  |
| F19-1 | 197599-5 | BATTERY BL1830B SET          | O | 1  |   |                     |  |

Prosím uveďte objednáací číslo dílu v objednávce

Datum tisku 23. 10. 2024