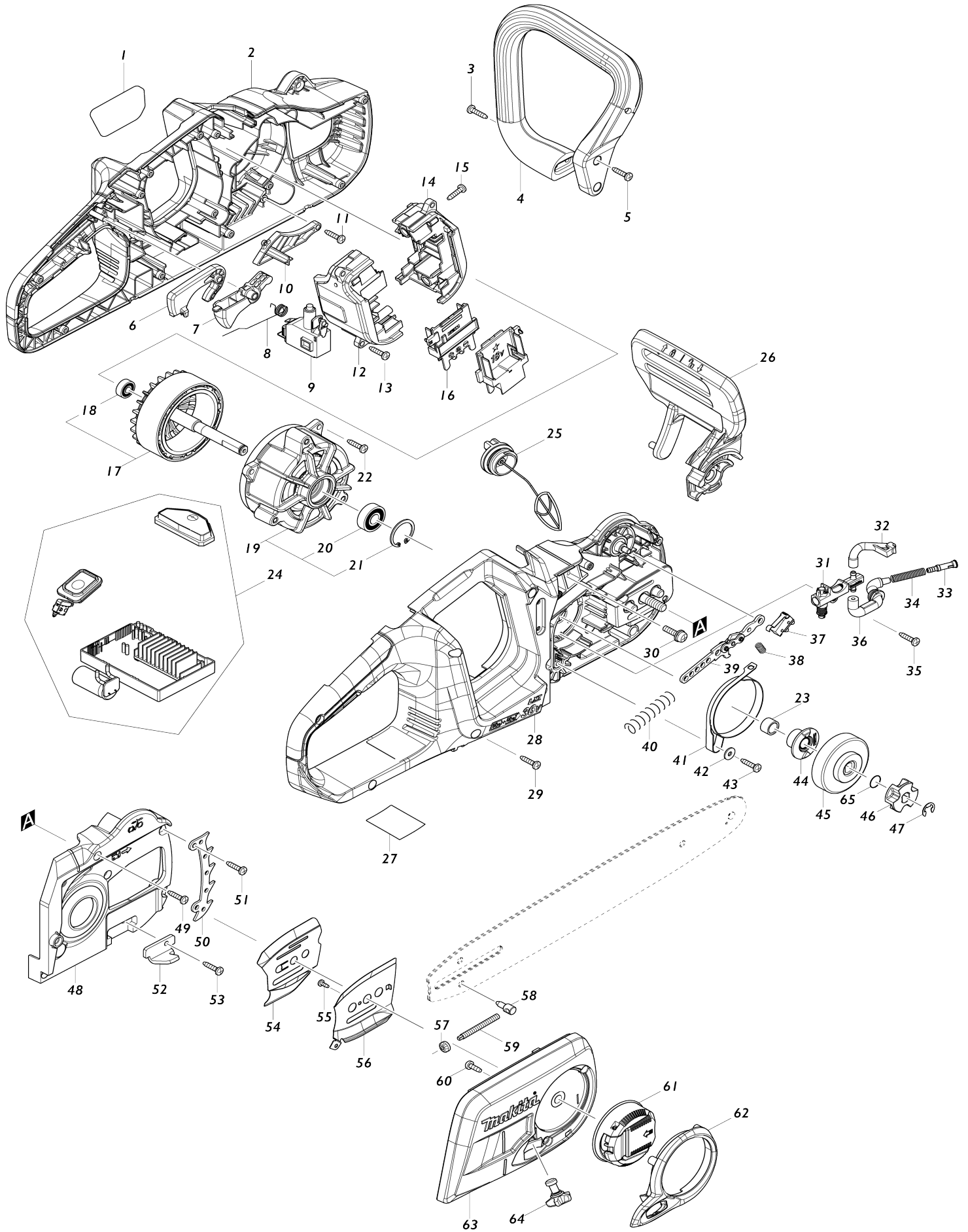


Model No.DUC353 350MM CORDLESS CHAIN SAW



| | | | | | | | |
|-------|----------|--------------------------------------|---|---|---|------------|--|
| 025-2 | 162A04-7 | TANK CAP COMPLETE | O | 1 | | | |
| C11 | 213A11-4 | O-RING 25 | O | 1 | | | |
| 026 | 457022-5 | FRONT HAND GUARD | | 1 | * | | |
| 026-1 | 458418-3 | FRONT HAND GUARD | < | 1 | | chr | |
| 027 | 852V64-0 | DUC353 NAME PLATE | | 1 | | | |
| 028 | 183F61-2 | HOUSING SET | | 1 | * | obal | |
| C10 | 812D15-7 | CAUTION LABEL | | 1 | * | | |
| 028 | | INC. 2 | | | * | | |
| 028-1 | 183F61-2 | HOUSING SET | O | 1 | | obal | |
| C10 | 812D15-7 | CAUTION LABEL | | 1 | | | |
| 028-1 | | INC. 2 | | | | | |
| 029 | 266326-2 | šroub 4x18=new265995-6 | | 8 | | | |
| 030 | 911233-1 | šroub M5x20 | | 3 | | | |
| 031 | 142156-4 | OIL PUMP COMPLETE | | 1 | * | olejov | |
| 031-1 | 142156-4 | OIL PUMP COMPLETE | O | 1 | | olejov | |
| 032 | 424904-6 | CONNECTOR B | | 1 | | konektor B | |
| 033 | 452666-6 | NIPPLE | | 1 | * | | |
| 033-1 | 452666-6 | NIPPLE | O | 1 | | | |
| 034 | 234207-8 | COMPRESSION SPRING 6 | | 1 | * | | |
| 034-1 | 231975-4 | pružina DCS230T/UC3020A=old021245060 | O | 1 | | pru | |
| 035 | 266326-2 | šroub 4x18=new265995-6 | | 1 | | | |
| 036 | 424903-8 | CONNECTOR A | | 1 | | zd | |
| 037 | 632H47-0 | SWITCH UNIT | | 1 | * | vyp | |
| 037-1 | 632H47-0 | SWITCH UNIT | S | 1 | | vyp | |
| 038 | 231298-0 | vinutá pružina 6 HM1500 | | 1 | | vinut | |
| 039 | 163448-8 | LINKPLATE COMPLETE | | 1 | | | |
| 040 | 232319-1 | COMPRESSION SPRING 9 | | 1 | | pru | |
| 041 | 345454-7 | pás brzdy | | 1 | | p | |
| 042 | 267195-4 | podložka DCS230T/UC3020A-Serie | | 1 | * | podlo | |
| 043 | 266326-2 | šroub 4x18=new265995-6 | | 1 | * | | |
| 043-1 | 265620-9 | TAPPING SCREW FLANGE 4X18 | S | 1 | | | |
| 044 | 221427-3 | WORM GEAR | | 1 | | n | |
| 045 | 161526-8 | BRAKE DRUM COMPLETE | | 1 | * | | |
| 045-1 | 161891-5 | BRAKE DRUM COMPLETE | O | 1 | * | bub | |
| 045-2 | 313422-8 | BRAKE DRUM | O | 1 | | | |
| 046 | 221464-7 | SPROCKET 6 | | 1 | | | |
| 047 | 961013-5 | zajišťovací kroužek | | 1 | | zaji | |
| 048 | 457004-7 | HOUSING R COVER | | 1 | | kryt R | |
| 049 | 266326-2 | šroub 4x18=new265995-6 | | 4 | | | |
| 050 | 347078-5 | SPIKE BUMPER | | 1 | | v | |
| 051 | 266326-2 | šroub 4x18=new265995-6 | | 2 | | | |
| 052 | 347079-3 | CHAIN CATCHER | | 1 | | d | |
| 053 | 266326-2 | šroub 4x18=new265995-6 | | 1 | | | |
| 054 | 346694-0 | GUIDE PLATE ES | | 1 | | deska | |
| 055 | 266166-8 | 933308 | | 1 | | 933308 | |
| 056 | 346699-0 | GUIDE PLATE CS | | 1 | | deska | |
| 057 | 227496-2 | ozubené kolo UC3020A=old226213320 | | 1 | | ozuben | |
| 058 | 326310-0 | ADJUST PIN | | 1 | | | |
| 059 | 326312-6 | ADJUST SCREW | | 1 | | d | |
| | | | | | | | |

| | | | | | | | |
|-------|----------|-------------------------------|---|---|---|-------------|--|
| 060 | 266427-6 | TAPPING SCREW 4X12 | | 3 | * | | |
| 060-1 | 265C54-4 | TAPPING SCREW 4X12 | O | 3 | | | |
| 061 | 142235-8 | NUT COMPLETE | | 1 | | up | |
| 062 | 454519-5 | NUT COVER | | 1 | | | |
| 063 | 457000-5 | SPROCKET COVER | | 1 | | kryt | |
| 064 | 142288-7 | WHEEL COMPLETE | | 1 | | d | |
| C10 | 213011-8 | O Ring = old 461009 | | 1 | | o krou | |
| 065 | 213060-5 | O RING 10 | | 1 | | o-krou | |
| A02 | 165246-6 | GUIDE BAR 14 | | 1 | * | | |
| A02-1 | 165246-6 | GUIDE BAR 14 | O | 1 | | | |
| A03 | 419288-5 | kryt pro UC3020/3520A | | 1 | * | | |
| A03-1 | 419288-5 | kryt pro UC3020/3520A | O | 1 | | | |
| A04 | 196741-5 | SAW CHAIN SET | | 1 | * | | |
| A04-1 | 191H02-6 | SAW CHAIN 14 SET | O | 1 | | | |
| B01 | 191P53-7 | SPROCKET COVER SET | | 1 | | kryt DUC353 | |
| B01 | | INC. 55-64 | | | | | |
| F09-1 | 198457-8 | CHAIN EDGER SET | O | 1 | * | | |
| F09-2 | D-70948 | FILE HOLDER SET 4.0MM(5/32") | O | 1 | | | |
| F11 | 195093-1 | CHAIN OIL SET | | 1 | | | |
| F13 | 195923-6 | ROUND FILE 4.5 SET | | 1 | * | | |
| F13-1 | D-70954 | FILE HOLDER SET 4.5MM(11/64") | O | 1 | | | |
| F14 | 196206-7 | SAW CHAIN SET | | 1 | * | | |
| F23 | 196740-7 | SAW CHAIN SET | | 1 | * | | |
| F23-1 | 191H01-8 | SAW CHAIN 12 SET | O | 1 | | | |

Prosím uveďte objednáací číslo dílu v objednávce

Datum tisku 23. 10. 2024