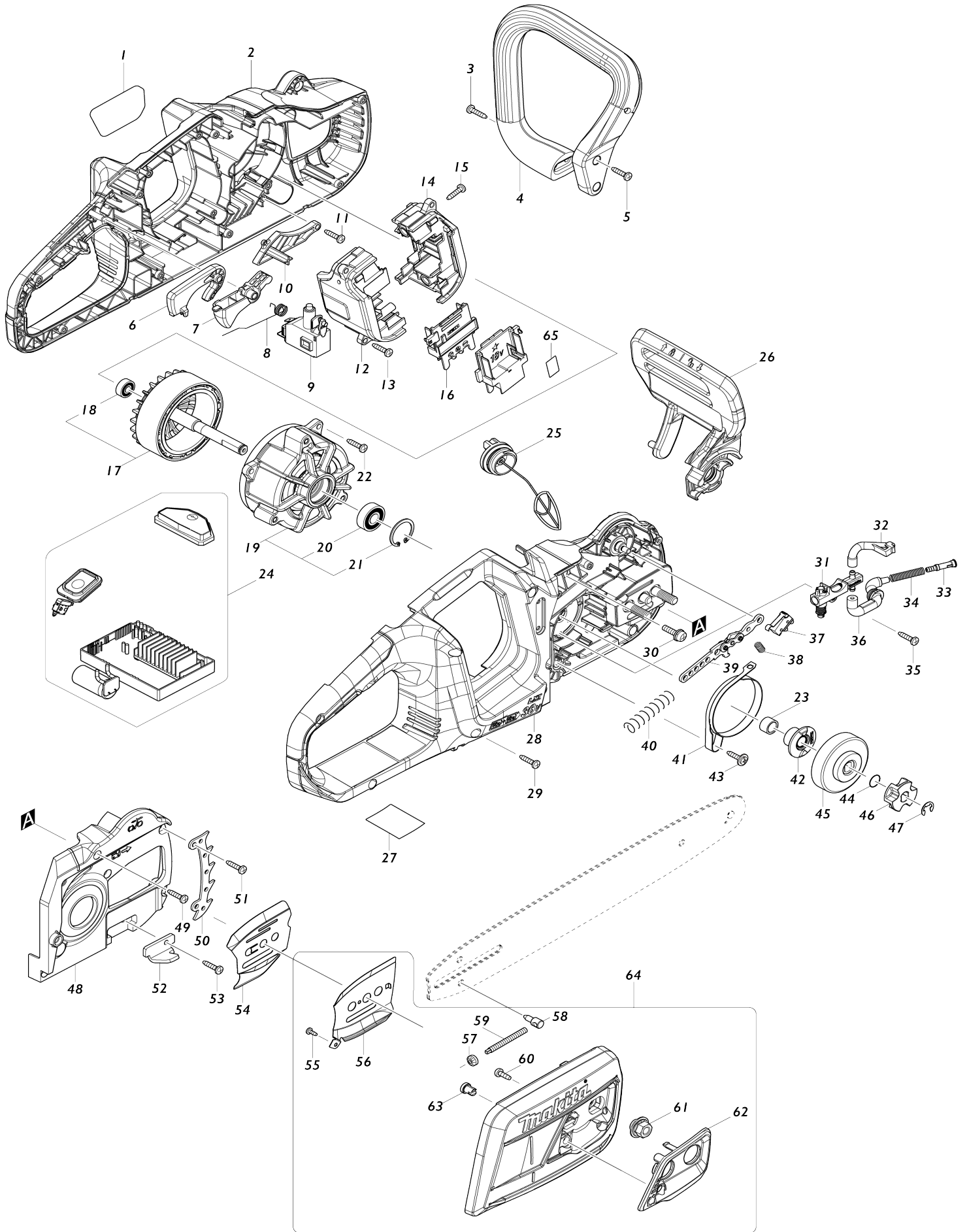


# Model No.DUC355 350MM CORDLESS CHAIN SAW





C11	213A11-4	O-RING 25	O	1			
026	458418-3	FRONT HAND GUARD		1		chr	
027	855A12-2	DUC355 NAME PLATE		1			
028	183K81-6	HOUSING SET		1	*	obal stroje	
C10	812D15-7	CAUTION LABEL		1	*		
028		INC. 2			*		
028-1	183K81-6	HOUSING SET	O	1		obal stroje	
C10	812D15-7	CAUTION LABEL		1			
028-1		INC. 2					
029	266326-2	šroub 4x18=new265995-6		8			
030	911233-1	šroub M5x20		3			
031	142156-4	OIL PUMP COMPLETE		1	*	olejov	
031-1	142156-4	OIL PUMP COMPLETE	O	1		olejov	
032	424904-6	CONNECTOR B		1		konektor B	
033	452666-6	NIPPLE		1	*		
033-1	452666-6	NIPPLE	O	1			
034	234207-8	COMPRESSION SPRING 6		1	*		
034-1	231975-4	pružina DCS230T/UC3020A=old021245060	O	1		pru	
035	266326-2	šroub 4x18=new265995-6		1			
036	424903-8	CONNECTOR A		1		zd	
037	632H47-0	SWITCH UNIT		1		vyp	
038	231298-0	vinutá pružina 6 HM1500		1		vinut	
039	163448-8	LINKPLATE COMPLETE		1			
040	232319-1	COMPRESSION SPRING 9		1		pru	
041	345454-7	pás brzdy		1		p	
042	221427-3	WORM GEAR		1		n	
043	265620-9	TAPPING SCREW FLANGE 4X18		1			
044	213060-5	O RING 10		1		o-krou	
045	161891-5	BRAKE DRUM COMPLETE		1	*	bub	
045-1	313422-8	BRAKE DRUM	O	1			
046	221464-7	SPROCKET 6		1			
047	961013-5	zajišťovací kroužek		1		zaji	
048	457004-7	HOUSING R COVER		1		kryt R	
049	266326-2	šroub 4x18=new265995-6		4			
050	347078-5	SPIKE BUMPER		1		v	
051	266326-2	šroub 4x18=new265995-6		2			
052	347079-3	CHAIN CATCHER		1		d	
053	266326-2	šroub 4x18=new265995-6		1			
054	346694-0	GUIDE PLATE ES		1		deska	
055	266166-8	933308		2		933308	
056	346699-0	GUIDE PLATE CS		1		deska	
057	227496-2	ozubené kolo UC3020A=old226213320		1		ozuben	
058	326311-8	ADJUST PIN		1			
059	326313-4	ADJUST SCREW		1			
060	266427-6	TAPPING SCREW 4X12		2	*		
060-1	265C54-4	TAPPING SCREW 4X12	O	2			
061	162493-0	FLANGE NUT COMPLETE		2	*	p	
061-1	162493-0	FLANGE NUT COMPLETE	O	2		p	
062	454620-6	NUT COVER		1		kryt	
063	227620-7	DRIVE GEAR 14		1			

064	136071-2	SPROCKET COVER ASSY		1		kryt li	
064		INC. 55-63			*		
064		INC. 55-63,66					
065	855A18-0	DUC355 SERIAL NO. LABEL		1			
066	458871-3	SPROCKET COVER		1		kryt	
A01	782027-9	BOX WRENCH		1			
A02	165246-6	GUIDE BAR 14		1	*		
A02-1	165246-6	GUIDE BAR 14	O	1			
A03	419288-5	kryt pro UC3020/3520A		1	*		
A03-1	419288-5	kryt pro UC3020/3520A	O	1			
A04	196741-5	SAW CHAIN SET		1	*		
A04-1	191H02-6	SAW CHAIN 14 SET	O	1			
A06	***DC18RD	DC18RD TWO PORT FAST CHARGER		1			
A06		COMPO-PARTS					
A07	197280-8	BATTERY BL1850B SET		2	*		
A07-1	197280-8	BATTERY BL1850B SET	O	2			
F10	195093-1	CHAIN OIL SET		1			
F12	195923-6	ROUND FILE 4.5 SET		1	*		
F12-1	D-70954	FILE HOLDER SET 4.5MM(11/64")	O	1			
F13	196206-7	SAW CHAIN SET		1	*		
F22	196740-7	SAW CHAIN SET		1	*		
F22-1	191H01-8	SAW CHAIN 12 SET	O	1			
F27	198457-8	CHAIN EDGER SET		1	*		
F27-1	D-70948	FILE HOLDER SET 4.0MM(5/32")	O	1			

Prosím uveďte objednáčíslo dílu v objednávce

Datum tisku 23. 10. 2024