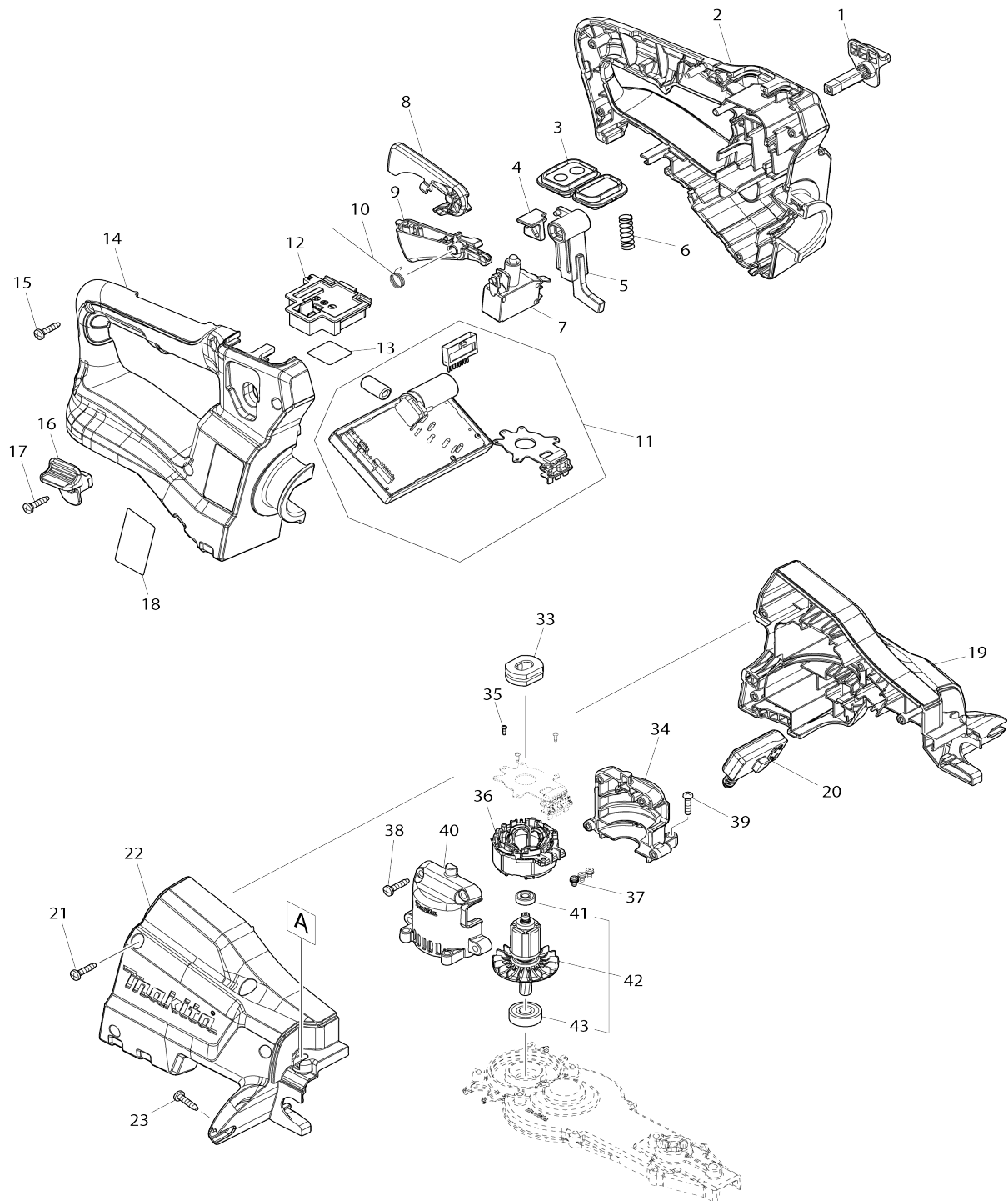
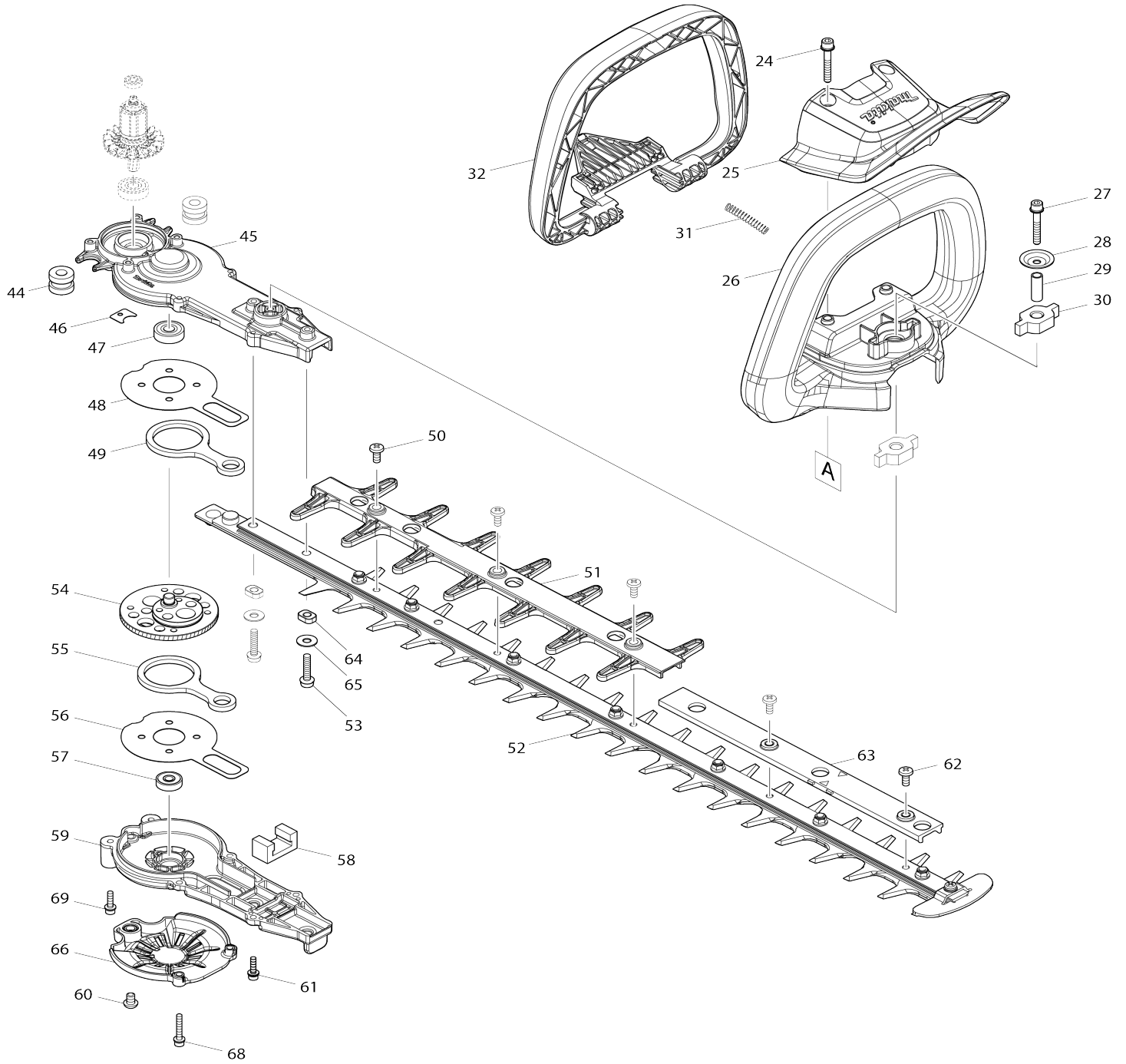


Model No. DUH601 600MM CORDLESS HEDGE TRIMMER



Model No.DUH601 600MM CORDLESS HEDGE TRIMMER



Model No.DUH601 600MM CORDLESS HEDGE TRIMMER

Obj. č.	Obj. č.	Popis	Možn ost zá měny	Množ ství	Nový/ Starý	Poznámka 1	Poznámka 2
001	458406-0	LOCK LEVER L		1		p	
002	183J51-9	HANDLE SET		1		p	
C10	263005-3	vymezovací čep 6		2			
002		INC. 14					
003	140A04-7	SUB CONTROLLER COMPLETE		1		ovl	
C10	806G56-1	INDICATION LABEL		1			
C20	817C42-3	SWITCH LABEL		1			
004	458570-7	SLIDER		1		veden	
005	458405-2	LOCK ARM		1		rameno	
006	234204-4	COMPRESSION SPRING 8		1		pru	
007	650781-2	SWITCH C3JW-6B-P		1		vyp	
008	458403-6	LOCK OFF LEVER		1		z	
009	458404-4	SWITCH LEVER R		1		p	
010	232454-5	TORSION SPRING 10		1		pru	
011	620818-9	CONTROLLER		1	*		
011-1	620B18-3	CONTROLLER	O	1	*		
011-2	620E32-7	CONTROLLER	<	1	*		
011-3	620K06-4	CONTROLLER	<	1	*	elektronika DUH601 DUH602=old620E32- 7=new620M96-9	
011-4	620M96-9	CONTROLLER	<	1		elektronika DUH601 DUH602=old620E32- 7 =old 620K06-4	
012	644809-6	TERMINAL		1		kontakt	
013	854K10-3	DUH601 SERIAL NO. LABEL		1			
014	183J51-9	HANDLE SET		1		p	
C10	263005-3	vymezovací čep 6		2			
014		INC. 2					
015	266326-2	šroub 4x18=new265995-6		6	*		
015-1	265B67-9	TAPPING SCREW 4X18	O	6			
016	458407-8	LOCK LEVER R		1		p	
017	266326-2	šroub 4x18=new265995-6		1	*		
017-1	265B67-9	TAPPING SCREW 4X18	O	1			
018	854K03-0	DUH601 NAME PLATE		1			
019	183K21-4	HOUSING SET		1		obal	
C10	252143-6	COLLARED HEX.NUT M5-8		2			
C20	424344-8	DAMPER		4			
019		INC. 22					
020	651083-9	SWITCH C3XA-1PSPM		1		vyp	
021	266326-2	šroub 4x18=new265995-6		4	*		
021-1	265B67-9	TAPPING SCREW 4X18	O	4			
022	183K21-4	HOUSING SET		1		obal	
C10	252143-6	COLLARED HEX.NUT M5-8		2			
C20	424344-8	DAMPER		4			
022		INC. 19					
023	266326-2	šroub 4x18=new265995-6		2	*		
023-1	265B67-9	TAPPING SCREW 4X18	O	2			
024	265182-7	+ PAN HEAD SCREW M5X25		2			
025	458399-1	PROTECTOR		1		chr	

026	458400-2	FRONT GRIP E		1		dr	
027	251476-6	H.S.H.BOLT M5X35 WITH WR		1	*		
027-1	265D13-4	H.S.H.BOLT M5X35 WITH WRM	O	1			
028	253416-0	DISH WASHER 5		1		podlo	
029	257678-2	SLEEVE 6		1		pouzdro	
030	422260-8	RUBBER SLEEVE 8		2		guma	
031	233222-9	COMPRESSION SPRING 5		1	*	pru	
031-1	233222-9	COMPRESSION SPRING 5	O	2		pru	
032	458402-8	SWITCH LEVER F		1		p	
033	422261-6	RUBBER SLEEVE		1		guma	
034	183J52-7	MOTOR HOUSING SET		1	*	obal motoru=new183 L66-8	
034		INC. 40			*		
034	183L66-8	MOTOR HOUSING SET		1	*	obal motoru = old 18 3L66-8	
034-1	183L66-8	MOTOR HOUSING SET	<	1	*	obal motoru = old 18 3L66-8	
034-1		INC. 40			*		
034-2	183L66-8	MOTOR HOUSING SET	<	1		obal motoru = old 18 3L66-8	
034-2		INC. 40					
035	266490-9	TAPPING SCREW PT 2X6		3	*		
035-1	265C47-1	TAPPING SCREW PT 2X6	O	3			
036	629352-6	STATOR		1		stator	
037	652069-6	FLAT HEAD SCREW M3X6		3			
038	266326-2	šroub 4x18=new265995-6		4	*		
038-1	265B67-9	TAPPING SCREW 4X18	O	4			
039	265178-8	PAN HEAD SCREW M4X16		4	*		
039-1	911128-8	P.H.SCREW M4X16 WITH WR	O	4			
040	183J52-7	MOTOR HOUSING SET		1	*	obal motoru=new183 L66-8	
040		INC. 34			*		
040	183L66-8	MOTOR HOUSING SET		1	*	obal motoru = old 18 3L66-8	
040-1	183L66-8	MOTOR HOUSING SET	<	1	*	obal motoru = old 18 3L66-8	
040-1		INC. 34			*		
040-2	183L66-8	MOTOR HOUSING SET	<	1		obal motoru = old 18 3L66-8	
040-2		INC. 34					
041	211157-4	BALL BEARING 695ZZ		1		lo	
042	519522-4	ROTOR ASSY		1	*		
042		INC. 41,43			*		
042	519557-5	ROTOR ASSY		1	*		
042-1	519557-5	ROTOR ASSY	<	1	*		
042-1		INC. 41,43			*		
042-1	510450-6	ROTOR ASSY	<	1	*	rotor DUH601 DUH6 02 DUH751	
042-2	510450-6	ROTOR ASSY	<	1	*	rotor DUH601 DUH6 02 DUH751	
042-2		INC. 41,43			*		
042-3	510450-6	ROTOR ASSY	O	1		rotor DUH601 DUH6 02 DUH751	
042-3		INC. 41,43					
043	211032-4	ložisko 1902		1	*		

043-1	210005-4	kulič. ložisko 608DDW = old 2110 31-6	<	1		kuli	
044	422259-3	RUBBER SLEEVE 8		2		guma	
045	140F22-5	GEAR HOUSING COMPLETE		1	*	obal stroje DUH501/6 01/701=new136278-0	
C10	424344-8	DAMPER		1	*		
045-1	136278-0	GEAR HOUSING ASSEMBLY	S	1	*	pouzdro p	
C10	424344-8	DAMPER		1	*		
C20	213961-7	O RING 22		1	*		
045-2	136278-0	GEAR HOUSING ASSEMBLY	O	1	*	pouzdro p	
C10	424344-8	DAMPER		1	*		
C20	213961-7	O RING 22		1	*		
045-3	136278-0	GEAR HOUSING ASSEMBLY	O	1		pouzdro p	
C10	424344-8	DAMPER		1			
C20	213961-7	O RING 22		1			
046	458417-5	GASKET		1	*	t	
047	211032-4	ložisko 1902		1			
048	347361-0	FRICITION PLATE		1		deska	
049	347362-8	CONNECTING ROD		1		ty	
050	915211-3	BINDING HEAD SCREW M5X12		3			
051	458408-6	GUARD E		1	*	chr	
051-1	412908-0	GUARD E	S	1		chr	
052	199099-1	SHEAR BLADE ASSEMBLY 600 SET		1	*		
C10	345205-8	BRANCH CATCHER		1	*	n	
C20	911208-0	šroub M5x10		1	*		
052-1	199099-1	SHEAR BLADE ASSEMBLY 600 SET	<	1	*		
C10	345205-8	BRANCH CATCHER		1	*	n	
C20	911208-0	šroub M5x10		1	*		
052-2	191R53-9	SHEAR BLADE 600 SET	<	1			
C10	345205-8	BRANCH CATCHER		1		n	
C20	911208-0	šroub M5x10		1			
C30	252311-1	COLLARED HEX. LOCK NUT M5-8		7			
C40	257439-0	SLEEVE 5		7		pouzdro	
C50	253558-0	FLAT WASHER 5		7			
C60	265181-9	+TRUSS HEAD SCREW M5X20		7			
052-2		INC. 50,51,62-64					
053	265182-7	+ PAN HEAD SCREW M5X25		2	*		
053-1	265B66-1	+ PAN HEAD SCREW M5X25 WITH WR	S	2			
054	140B79-2	GEAR COMPLETE		1		p	
055	347362-8	CONNECTING ROD		1		ty	
056	347361-0	FRICITION PLATE		1		deska	
057	211499-6	BALL BEARING 626ZZ		1		lo	
058	443159-4	SEAL		1		veden	
059	140B62-9	GEAR HOUSING COVER COMPLETE		1	*	obal	
059-1	140B62-9	GEAR HOUSING COVER COMPLETE	O	1		obal	
060	266559-9	H.S.BUTTON HEAD BOLT M6X4		1	*		
060	265338-2	H.S.BOTTON HEAD BOLT M6X8		1			
060-1	265338-2	H.S.BOTTON HEAD BOLT M6X8	<	1			
061	265490-6	šroub M4x16		6	*		

061-1	266437-3	šroub šestihran M4x16 HR4001C	<	6	*		
061-1	265A29-1	HEX. SOCKET HEAD BOLT M4X16 WRM		2			
061-2	265A29-1	HEX. SOCKET HEAD BOLT M4X16 WRM	<	2			
062	915211-3	BINDING HEAD SCREW M5X12		2			
063	458628-2	SPACER 600		1	*	podlo	
063	459115-4	SPACER 600H		1			
063-1	459115-4	SPACER 600H	O	1			
064	257439-0	SLEEVE 5		2		pouzdro	
065	253804-1	podložka 6		2	*	podlo	
066	458907-8	UNDER COVER		1		spodn	
068	265698-2	HEX. SOCKET HEAD BOLT M4X25 WRM		2			
069	265A29-1	HEX. SOCKET HEAD BOLT M4X16 WRM		2			
A01	458414-1	BLADE COVER 600		1	*	kryt DUH601 DUN60 OL	
A01-1	412911-1	BLADE COVER 600	S	1			
A02	195246-2	SAFETY GOGGLE		1	*		
A03	450128-8	kryt baterie		1			
A04	***DC18RD	DC18RD TWO PORT FAST CHARGER		1			
A04		COMPO-PARTS					
A05	197280-8	BATTERY BL1850B SET		2	*		
A05-1	197280-8	BATTERY BL1850B SET	O	2			
E01	891003-3	SOUND 93DB LABEL		1			
F01-2	199450-5	GREASE VESSEL SET	O	1			
F04-2	191R53-9	SHEAR BLADE 600 SET	<	1			

Prosím uveďte objednací číslo dílu v objednávce

Datum tisku 23. 10. 2024