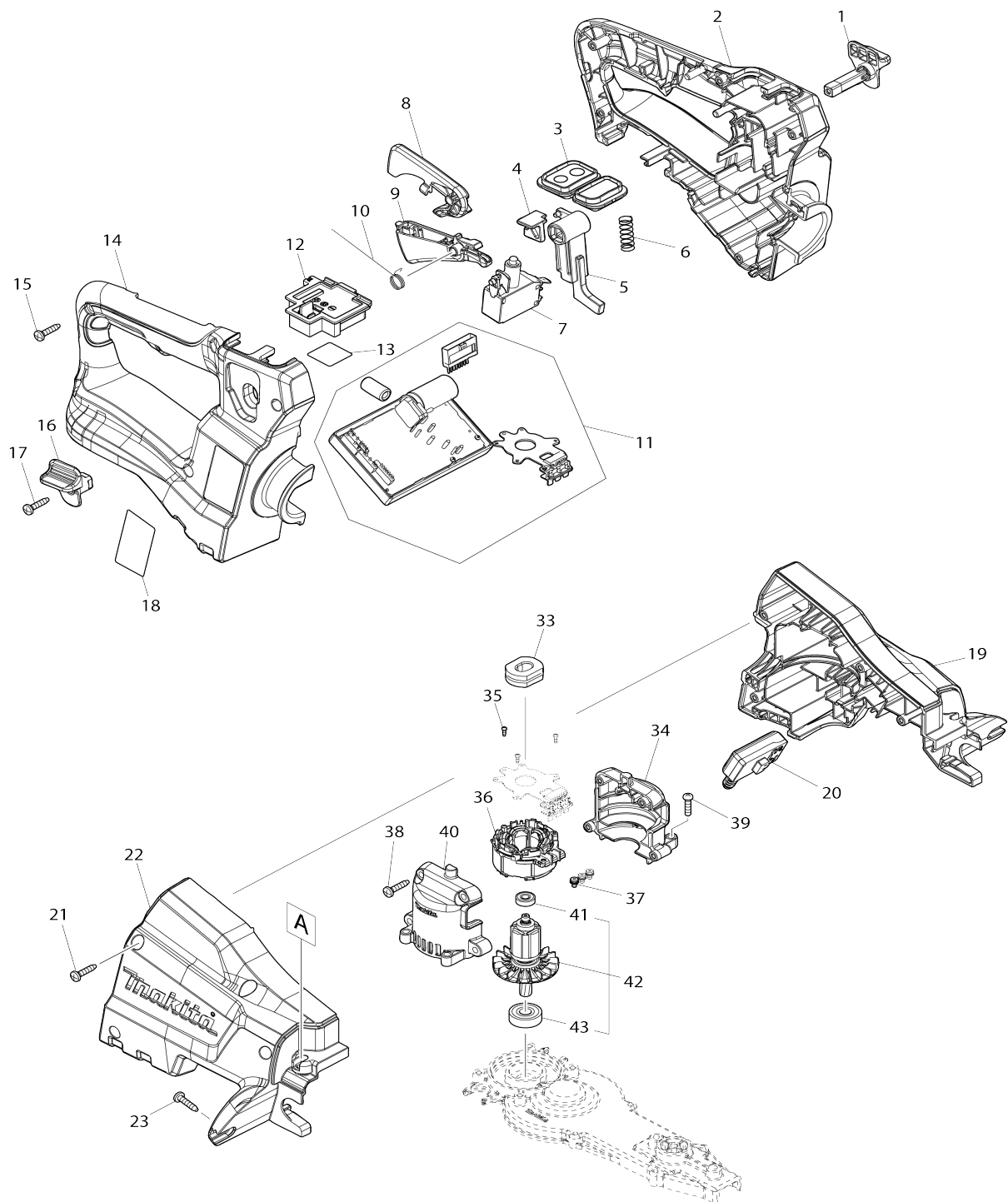
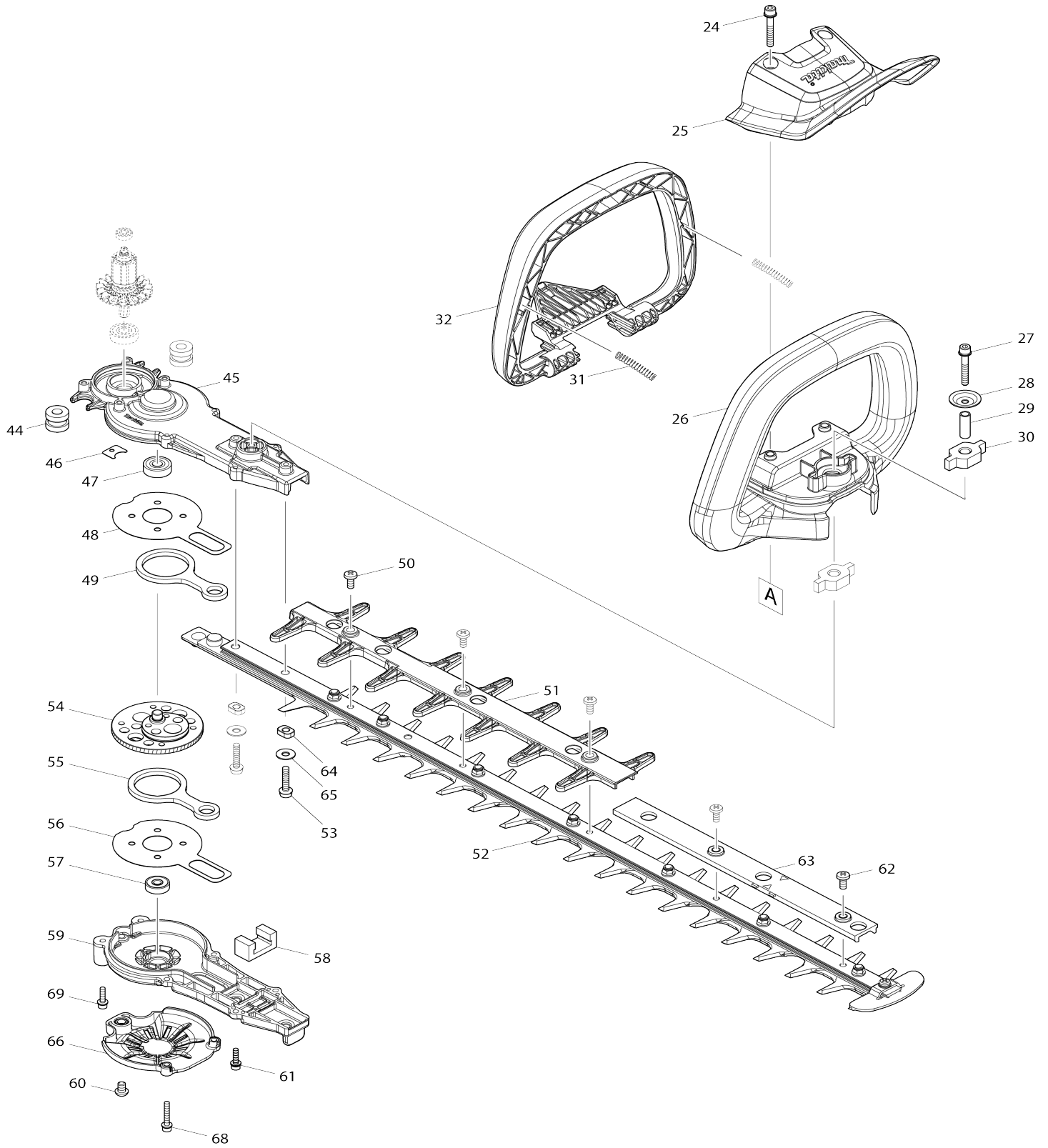


Model No.DUH602 600MM CORDLESS HEDGE TRIMMER



Model No.DUH602 600MM CORDLESS HEDGE TRIMMER



Model No.DUH602 600MM CORDLESS HEDGE TRIMMER

Obj. č.	Obj. č.	Popis	Možnost záměny	Množství	Nový/Stary	Poznámka 1	Poznámka 2
001	458406-0	LOCK LEVER L		1		p	
002	183J51-9	HANDLE SET		1		p	
C10	263005-3	vymezovací čep 6		2			
002		INC. 14					
003	140A04-7	SUB CONTROLLER COMPLETE		1		ovl	
C10	806G56-1	INDICATION LABEL		1			
C20	817C42-3	SWITCH LABEL		1			
004	458570-7	SLIDER		1		veden	
005	458405-2	LOCK ARM		1		rameno	
006	234204-4	COMPRESSION SPRING 8		1		pru	
007	650781-2	SWITCH C3JW-6B-P		1		vyp	
008	458403-6	LOCK OFF LEVER		1		z	
009	458404-4	SWITCH LEVER R		1		p	
010	232454-5	TORSION SPRING 10		1		pru	
011	620818-9	CONTROLLER		1	*		
011-1	620B18-3	CONTROLLER	O	1	*		
011-2	620E32-7	CONTROLLER	<	1	*		
011-3	620K06-4	CONTROLLER	<	1	*	elektronika DUH601 DUH602=old620E32-7=new620M96-9	
011-4	620M96-9	CONTROLLER	<	1		elektronika DUH601 DUH602=old620E32-7=old 620K06-4	
012	644809-6	TERMINAL		1		kontakt	
013	855G51-8	DUH602 SERIAL NO. LABEL		1			
014	183J51-9	HANDLE SET		1		p	
C10	263005-3	vymezovací čep 6		2			
014		INC. 2					
015	266326-2	šroub 4x18=new265995-6		6	*		
015-1	265B67-9	TAPPING SCREW 4X18	O	6			
016	458407-8	LOCK LEVER R		1		p	
017	266326-2	šroub 4x18=new265995-6		1	*		
017-1	265B67-9	TAPPING SCREW 4X18	O	1			
018	855G45-3	DUH602 NAME PLATE		1			
019	183K21-4	HOUSING SET		1		obal	
C10	252143-6	COLLARED HEX.NUT M5-8		2			
C20	424344-8	DAMPER		4			
019		INC. 22					
020	651083-9	SWITCH C3XA-1PSPM		1		vyp	
021	266326-2	šroub 4x18=new265995-6		4	*		
021-1	265B67-9	TAPPING SCREW 4X18	O	4			
022	183K21-4	HOUSING SET		1		obal	
C10	252143-6	COLLARED HEX.NUT M5-8		2			
C20	424344-8	DAMPER		4			
022		INC. 19					
023	266326-2	šroub 4x18=new265995-6		2	*		
023-1	265B67-9	TAPPING SCREW 4X18	O	2			
024	265182-7	+ PAN HEAD SCREW M5X25		2			
025	458399-1	PROTECTOR		1		chr	

026	458400-2	FRONT GRIP E		1		dr	
027	251476-6	H.S.H.BOLT M5X35 WITH WR		1	*		
027-1	265D13-4	H.S.H.BOLT M5X35 WITH WRM	O	1			
028	253416-0	DISH WASHER 5		1		podlo	
029	257678-2	SLEEVE 6		1		pouzdro	
030	422260-8	RUBBER SLEEVE 8		2		guma	
031	233222-9	COMPRESSION SPRING 5		2		pru	
032	458402-8	SWITCH LEVER F		1		p	
033	422261-6	RUBBER SLEEVE		1		guma	
034	183J52-7	MOTOR HOUSING SET		1	*	obal motoru=new183 L66-8	
034		INC. 40			*		
034-1	183L66-8	MOTOR HOUSING SET	<	1	*	obal motoru = old 18 3L66-8	
034-1		INC. 40			*		
034-2	183L66-8	MOTOR HOUSING SET	<	1		obal motoru = old 18 3L66-8	
034-2		INC. 40					
035	266490-9	TAPPING SCREW PT 2X6		3	*		
035-1	265C47-1	TAPPING SCREW PT 2X6	O	3			
036	629352-6	STATOR		1		stator	
037	652069-6	FLAT HEAD SCREW M3X6		3			
038	266326-2	šroub 4x18=new265995-6		4	*		
038-1	265B67-9	TAPPING SCREW 4X18	O	4			
039	265178-8	PAN HEAD SCREW M4X16		4	*		
039-1	911128-8	P.H.SCREW M4X16 WITH WR	O	4			
040	183J52-7	MOTOR HOUSING SET		1	*	obal motoru=new183 L66-8	
040		INC. 34			*		
040-1	183L66-8	MOTOR HOUSING SET	<	1	*	obal motoru = old 18 3L66-8	
040-1		INC. 34			*		
040-2	183L66-8	MOTOR HOUSING SET	<	1		obal motoru = old 18 3L66-8	
040-2		INC. 34					
041	211157-4	BALL BEARING 695ZZ		1		lo	
042	519557-5	ROTOR ASSY		1	*		
042		INC. 41,43			*		
042-1	510450-6	ROTOR ASSY	<	1	*	rotor DUH601 DUH6 02 DUH751	
042-1		INC. 41,43			*		
042-2	510450-6	ROTOR ASSY	O	1		rotor DUH601 DUH6 02 DUH751	
042-2		INC. 41,43					
043	211032-4	ložisko 1902		1	*		
043-1	210005-4	kulič. ložisko 608DDW = old 2110 31-6	<	1		kuli	
044	422259-3	RUBBER SLEEVE 8		2		guma	
045	140F22-5	GEAR HOUSING COMPLETE		1	*	obal stroje DUH501/6 01/701=new136278-0	
C10	424344-8	DAMPER		1	*		
045-1	136278-0	GEAR HOUSING ASSEMBLY	S	1	*	pouzdro p	
C10	424344-8	DAMPER		1	*		
C20	213961-7	O RING 22		1	*		
045-2	136278-0	GEAR HOUSING ASSEMBLY	O	1	*	pouzdro p	

C10	424344-8	DAMPER		1	*		
C20	213961-7	O RING 22		1	*		
045-3	136278-0	GEAR HOUSING ASSEMBLY	O	1		pouzdro p	
C10	424344-8	DAMPER		1			
C20	213961-7	O RING 22		1			
046	458417-5	GASKET		1	*	t	
047	211032-4	ložisko 1902		1			
048	347361-0	FRICITION PLATE		1		deska	
049	347362-8	CONNECTING ROD		1		ty	
050	915211-3	BINDING HEAD SCREW M5X12		3			
051	458408-6	GUARD E		1	*	chr	
051-1	412908-0	GUARD E	<	1		chr	
052	199599-1	SHEAR BLADE ASSEMBLY 600S SET		1	*		
C10	345205-8	BRANCH CATCHER		1	*	n	
C20	911208-0	šroub M5x10		1	*		
C30	188369-3	OIL VESSEL SET		1	*		
052		INC. 64,65			*		
052-1	199599-1	SHEAR BLADE ASSEMBLY 600S SET	<	1	*		
C10	345205-8	BRANCH CATCHER		1	*	n	
C20	911208-0	šroub M5x10		1	*		
C30	188369-3	OIL VESSEL SET		1	*		
052-1		INC. 64,65			*		
052-2	191R57-1	SHEAR BLADE 600 S SET	<	1			
C10	345205-8	BRANCH CATCHER		1		n	
C20	911208-0	šroub M5x10		1			
C30	188369-3	OIL VESSEL SET		1			
C40	257465-9	RING 5		7		krou	
C50	264013-7	HEX. LOCK NUT M5-8		7			
C60	253571-8	FLAT WASHER 5		7			
C70	265A40-3	+TRUSS HEAD SCREW M5X20		7			
052-2		INC. 64			*		
052-2		INC. 50,51,62-64					
053	265182-7	+ PAN HEAD SCREW M5X25		2	*		
053-1	265B66-1	+ PAN HEAD SCREW M5X25 WITH WR	S	2			
054	140B79-2	GEAR COMPLETE		1		p	
055	347362-8	CONNECTING ROD		1		ty	
056	347361-0	FRICITION PLATE		1		deska	
057	211499-6	BALL BEARING 626ZZ		1		lo	
058	443159-4	SEAL		1		veden	
059	140B62-9	GEAR HOUSING COVER COMPLETE		1	*	obal	
059-1	140B62-9	GEAR HOUSING COVER COMPLETE	O	1		obal	
060	265338-2	H.S.BOTTON HEAD BOLT M6X8		1			
061	265A29-1	HEX. SOCKET HEAD BOLT M4X16 WRM		2			
062	915211-3	BINDING HEAD SCREW M5X12		2			
063	458628-2	SPACER 600		1		podlo	
064	257465-9	RING 5		2		krou	
065	253804-1	podložka 6		2	*	podlo	

066	458907-8	UNDER COVER		1		spodn	
068	265698-2	HEX. SOCKET HEAD BOLT M4X25 WRM		2			
069	265A29-1	HEX. SOCKET HEAD BOLT M4X16 WRM		2			
A01	459121-9	BLADE COVER 600S		1			
A02	195246-2	SAFETY GOGGLE		1	*		
A03	***DC18SD	DC18SD BATTERY CHARGER		1	*		
A03		COMPO-PARTS			*		
A03	***DC18RC	DC18RC FAST CHARGER		1			
A03-1	***DC18SD	DC18SD BATTERY CHARGER	O	1			
A03-1		COMPO-PARTS					
A04	197600-6	BATTERY BL1830B SET		1	*		
A04	197280-8	BATTERY BL1850B SET		1	*		
A04-1	197600-6	BATTERY BL1830B SET	O	1			
A04-1	197280-8	BATTERY BL1850B SET	O	1			
F04-1	199450-5	GREASE VESSEL SET	O	1			
F06-2	191R57-1	SHEAR BLADE 600 S SET	<	1			

Prosím uveďte objednáč í číslo dílu v objednávce

Datum tisku 23. 10. 2024