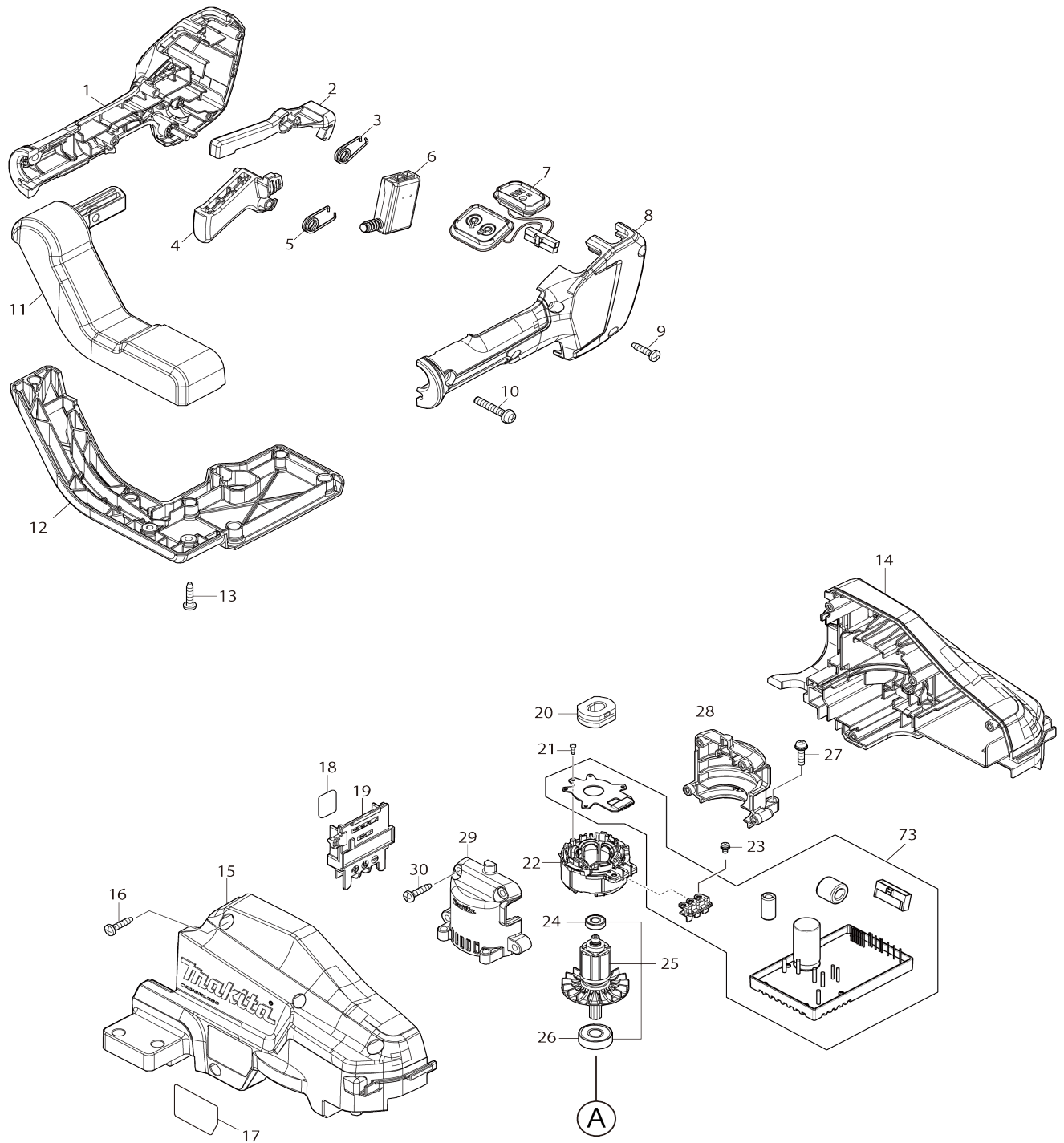
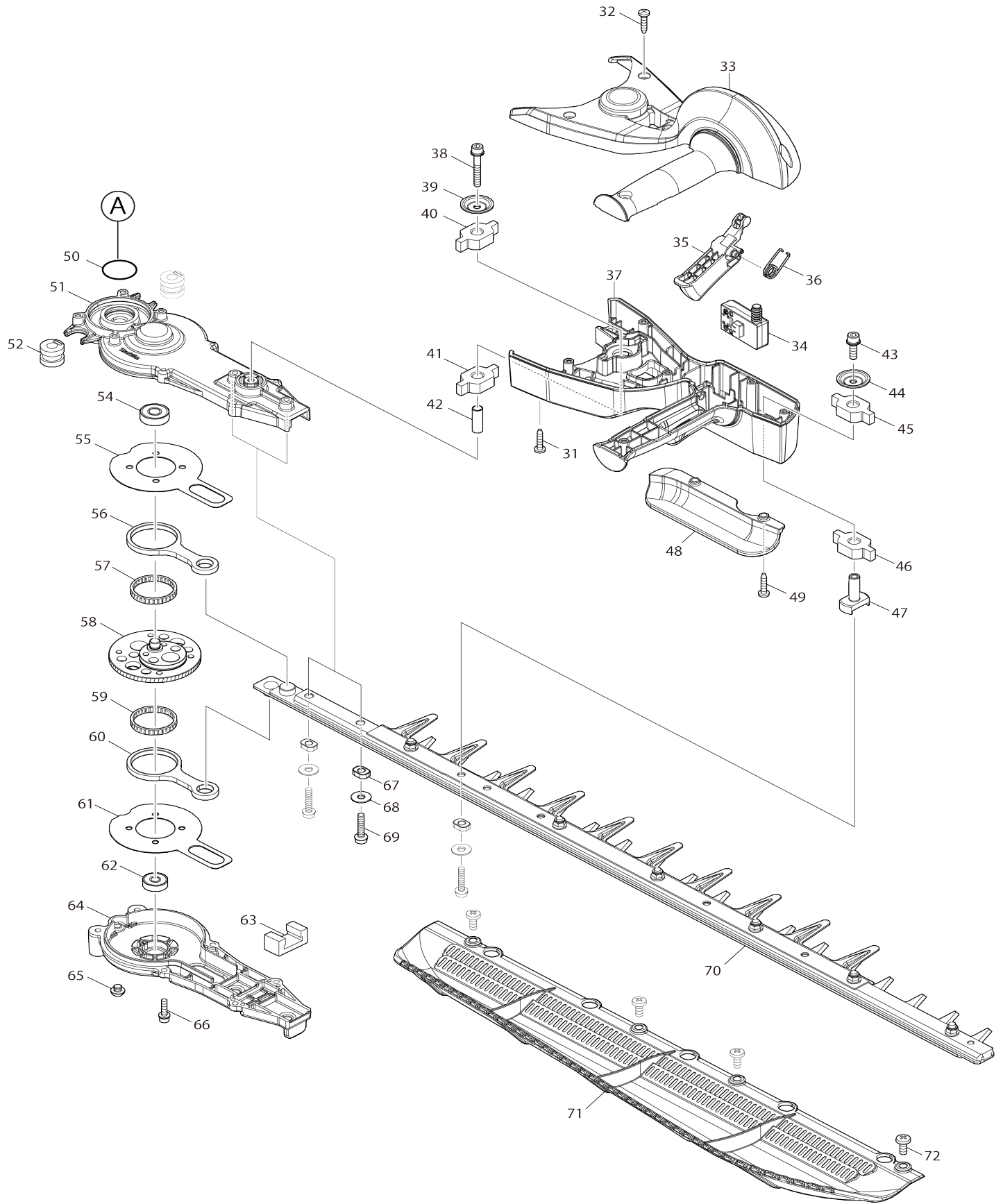


Model No.DUH604S 600MM CORDLESS HEDGE TRIMMER



Model No. DUH604S 600MM CORDLESS HEDGE TRIMMER



Model No.DUH604S 600MM CORDLESS HEDGE TRIMMER

Obj. č.	Obj. č.	Popis	Možn ost zá měny	Množ ství	Nový/ Starý	Poznámka 1	Poznámka 2
001	183N66-0	GRIP SET		1		dr	
C10	252180-0	HEX. LOCK NUT M5-8		1			
001		INC. 8					
002	455629-1	LOCK OFF LEVER		1	*	z	
002-1	413Y35-6	LOCK OFF LEVER	O	1		z	
003	233621-5	TORSION SPRING 9		1		pru	
004	412315-7	SWITCH LEVER R		1		p	
005	233621-5	TORSION SPRING 9		1		pru	
006	651083-9	SWITCH C3XA-1PSPM		1		vyp	
007	140S92-2	SUB CONTROLLER COMPLETE		1		ovl	
C10	8008M5-7	SWITCH LABEL		1			
C20	8008M7-3	INDICATION LABEL		1			
008	183N66-0	GRIP SET		1		dr	
C10	252180-0	HEX. LOCK NUT M5-8		1			
008		INC. 1					
009	266326-2	šroub 4x18=new265995-6		4			
010	911253-5	šroub M5x30		1			
011	412311-5	GRIP JOINT COVER		1		kryt	
012	412310-7	GRIP JOINT		1		kryt	
013	266326-2	šroub 4x18=new265995-6		8			
014	183N69-4	HOUSING SET		1		obal	
C10	263005-3	vymezovací čep 6		2			
C20	424344-8	DAMPER		4			
014		INC. 15					
015	183N69-4	HOUSING SET		1		obal	
C10	263005-3	vymezovací čep 6		2			
C20	424344-8	DAMPER		4			
015		INC. 14					
016	266326-2	šroub 4x18=new265995-6		4			
017	856R28-2	DUH604S NAME PLATE		1			
018	856R31-3	DUH604S SERIAL NO. LABEL		1			
019	643874-2	TERMINAL		1		kontakt	
020	422261-6	RUBBER SLEEVE		1		guma	
021	266490-9	TAPPING SCREW PT 2X6		3			
022	629352-6	STATOR		1		stator	
023	652069-6	FLAT HEAD SCREW M3X6		3			
024	211157-4	BALL BEARING 695ZZ		1		lo	
025	510448-3	ROTOR ASSY		1			
025		INC. 24,26					
026	210005-4	kulič. ložisko 608DDW = old 2110 31-6		1		kuli	
027	911128-8	P.H.SCREW M4X16 WITH WR		4			
028	183L66-8	MOTOR HOUSING SET		1	*	obal motoru = old 18 3L66-8	
028		INC. 29			*		
028-1	183L66-8	MOTOR HOUSING SET	<	1		obal motoru = old 18 3L66-8	
028-1		INC. 29					
029	183L66-8	MOTOR HOUSING SET		1	*	obal motoru = old 18	

						3L66-8	
029		INC. 28			*		
029-1	183L66-8	MOTOR HOUSING SET	<	1		obal motoru = old 18 3L66-8	
029-1		INC. 28					
030	266326-2	šroub 4x18=new265995-6		4			
031	266326-2	šroub 4x18=new265995-6		4			
032	266326-2	šroub 4x18=new265995-6		6			
033	183P30-3	FRONT GRIP SET		1	*		
C10	8008M9-9	CAUTION LABEL		1	*		
033		INC. 37			*		
033-1	1830Y0-1	FRONT GRIP SET	O	1			
C10	8074L5-7	CAUTION LABEL		1			
033-1		INC. 37					
034	651083-9	SWITCH C3XA-1PSPM		1		vyp	
035	412316-5	SWITCH LEVER F		1		p	
036	233621-5	TORSION SPRING 9		1		pru	
037	183P30-3	FRONT GRIP SET		1	*		
C10	8008M9-9	CAUTION LABEL		1	*		
037		INC. 33			*		
037-1	1830Y0-1	FRONT GRIP SET	O	1			
C10	8074L5-7	CAUTION LABEL		1			
037-1		INC. 33					
038	251476-6	H.S.H.BOLT M5X35 WITH WR		1	*		
038-1	265D13-4	H.S.H.BOLT M5X35 WITH WRM	O	1			
039	253416-0	DISH WASHER 5		1		podlo	
040	422260-8	RUBBER SLEEVE 8		1		guma	
041	422260-8	RUBBER SLEEVE 8		1		guma	
042	257678-2	SLEEVE 6		1		pouzdro	
043	922228-9	H.S.H.BOLT M5X18 WITH WR		1			
044	253416-0	DISH WASHER 5		1		podlo	
045	422260-8	RUBBER SLEEVE 8		1		guma	
046	422260-8	RUBBER SLEEVE 8		1		guma	
047	327535-9	CONNECTOR		1		kontakt	
048	412317-3	LOWER GUARD		1		chr	
049	266326-2	šroub 4x18=new265995-6		2			
050	213961-7	O RING 22		1			
051	140S12-6	GEAR HOUSING COMPLETE		1	*	obal p	
C10	424344-8	DAMPER		1	*		
051-1	140S12-6	GEAR HOUSING COMPLETE	O	1		obal p	
C10	424344-8	DAMPER		1			
052	422259-3	RUBBER SLEEVE 8		2		guma	
054	211032-4	ložisko 1902		1	*		
054-1	210223-4	BALL BEARING 608ZZ	O	1		lo	
055	347361-0	FRICTION PLATE		1		deska	
056	347662-6	CONNECTING ROD		1		ty	
057	212229-8	NEEDLE CAGE 315		1		lo	
058	140R63-3	GEAR COMPLETE		1		p	
059	212229-8	NEEDLE CAGE 315		1		lo	
060	347662-6	CONNECTING ROD		1		ty	
061	347361-0	FRICTION PLATE		1		deska	
062	211499-6	BALL BEARING 626ZZ		1		lo	

063	443159-4	SEAL		1		veden	
064	140B62-9	GEAR HOUSING COVER COMPLETE		1	*	obal	
064-1	140B62-9	GEAR HOUSING COVER COMPLETE	O	1		obal	
065	266559-9	H.S.BUTTON HEAD BOLT M6X4		1			
066	922128-3	šroub imbus = old 266178-1		6			
067	310983-9	SLEEVE 5		3			
068	253804-1	podložka 6		3	*	podlo	
069	265182-7	+ PAN HEAD SCREW M5X25		3	*		
069-1	265B66-1	+ PAN HEAD SCREW M5X25 WITH WR	S	3			
070	191D38-1	SHEAR BLADE ASSEMBLY 600 E SET		1	*		
C10	188605-7	OIL VESSEL SET		1	*		
C20	310983-9	SLEEVE 5		6	*		
070		INC. 67			*		
070-1	191Y03-6	SHEAR BLADE 600E SET	<	1			
C10	188605-7	OIL VESSEL SET		1			
C20	310983-9	SLEEVE 5		6			
C30	347962-4	GUARD		1			
070-1		INC. 67					
071	191D33-1	CHIP RECEIVER 600E SET		1			
072	915211-3	BINDING HEAD SCREW M5X12		4			
073	620B95-5	CONTROLLER		1	*	ovl	
073-1	620P65-8	CONTROLLER	<	1			
A01	412769-8	BLADE COVER 600		1			
A03	450128-8	kryt baterie		1			
A04	197422-4	BATTERY BL1860B SET		1			
A04	197280-8	BATTERY BL1850B SET		1			
A05	***DC18RC	DC18RC FAST CHARGER		1			
A05		COMPO-PARTS					
E01	800A66-4	SOUND 91DB LABEL		1			
F01-1	199450-5	GREASE VESSEL SET	O	1			

Prosím uveďte objednávací číslo dílu v objednávce

Datum tisku 23. 10. 2024