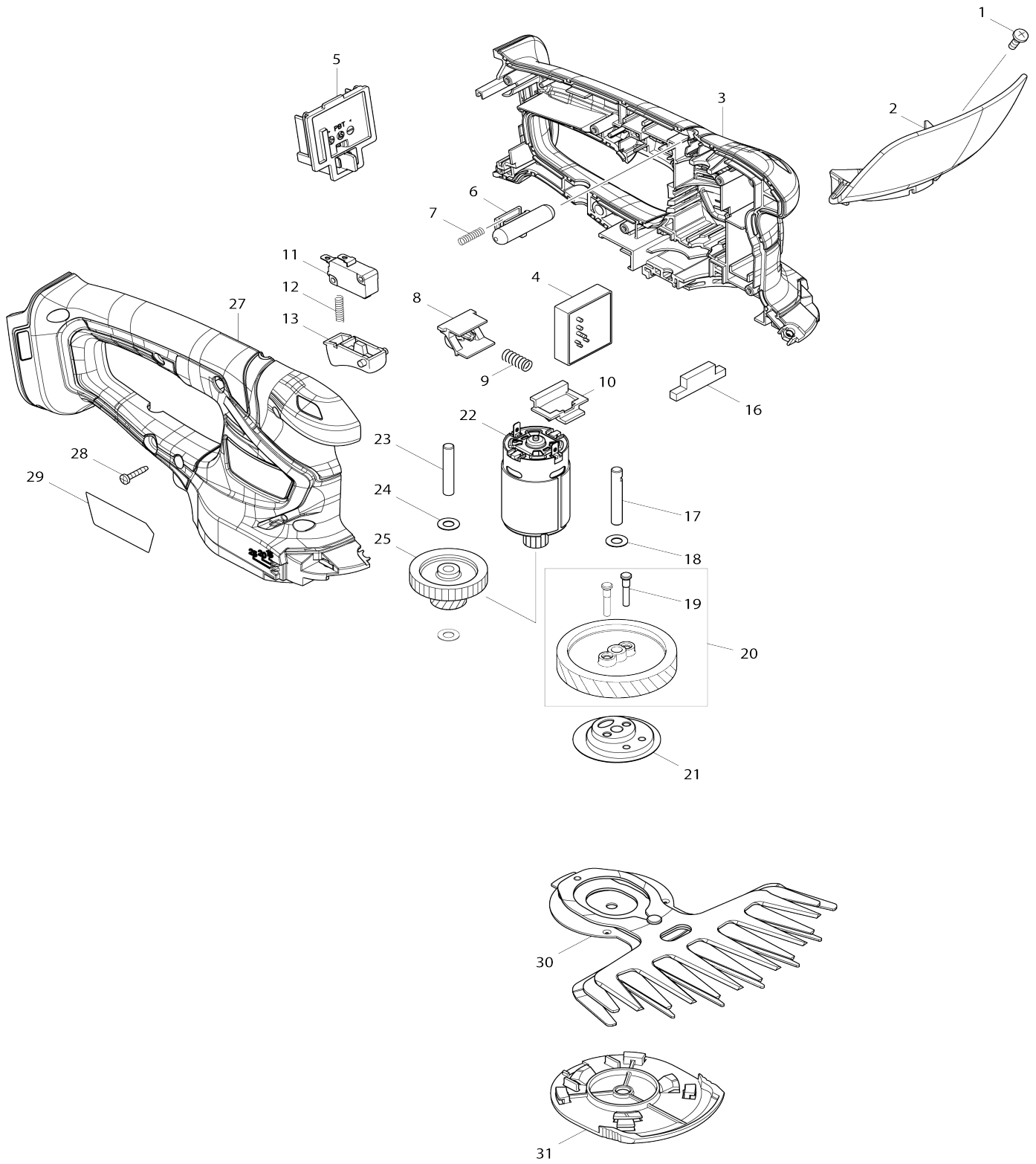


# Model No.DUM604 160MM CORDLESS GRASS SHEAR



**Model No.DUM604 160MM CORDLESS GRASS SHEAR**

Obj. č.	Obj. č.	Popis	Možn ost zá měny	Množ ství	Nový/ Starý	Poznámka 1	Poznámka 2
001	915116-7	šroub M4x12		1			
002	144342-3	PROTECTOR COMPLETE		1	*		
C10	819948-3	CAUTION LABEL		1	*		
002-1	140V97-0	PROTECTOR COMPLETE	<	1	*	chr	
C10	819948-3	CAUTION LABEL		1	*		
002-2	1410D3-4	PROTECTOR COMPLETE	O	1			
C12	8072W3-6	CAUTION LABEL	O	1			
003	183G03-2	HOUSING SET		1	*		
C10	931102-0	matka M4		1	*	matka M4	
C20	263005-3	vymezovací čep 6		2	*		
C30	346275-0	PLATE		2	*	deska	
003		INC. 27			*		
003-1	183U53-1	HOUSING SET	S	1		obal stroje DUM111 DUM604=old183G03- 2	
C10	931102-0	matka M4		1		matka M4	
C20	263005-3	vymezovací čep 6		2			
C30	346275-0	PLATE		2		deska	
003-1		INC. 27					
004	620647-0	CONTROLLER		1	*	ovl	
004-1	620E35-1	CONTROLLER	<	1		ovl	
005	643852-2	patice new 3 kontakty		1		patice =nov	
006	452438-9	LOCK OFF BUTTON		1	*	pojistka DUH523 DU M111 DUM604=new4 58900-2	
006-1	413A16-6	LOCK OFF BUTTON	S	1			
007	231473-8	Compression Spring 4		1			
008	457534-8	SLIDE PLATE		1		deska DUM111 DUM 604 UM600	
009	234339-1	COMPRESSION SPRING 6		1		pru	
010	454879-5	LOCK LEVER		1		p	
011	650744-8	SWITCH D3V-16-3C26		1		vyp	
012	231473-8	Compression Spring 4		1			
013	417564-1	SWITCH LEVER		1		p	
016	451814-4	DUST GUARD		1		prachovka DUM111 DUM604	
017	268254-7	PIN 6		1			
018	253715-0	podložka 6		1		podlo	
019	268256-3	PIN 4		2			
020	135883-0	HELICAL GEAR 47 ASS'Y		1		ozuben	
020		INC. 19					
021	161598-3	CRANK COMPLETE		1		h	
022	629945-9	DC MOTOR		1		motor DUM168 DUM 604	
023	268076-5	PIN 6		1			
024	253715-0	podložka 6		2		podlo	
025	226831-1	GEAR 12-31		1		ozuben	
027	183G03-2	HOUSING SET		1	*		
C10	931102-0	matka M4		1	*	matka M4	
C20	263005-3	vymezovací čep 6		2	*		

C30	346275-0	PLATE		2	*	deska	
027		INC. 3			*		
027-1	183U53-1	HOUSING SET	S	1		obal stroje DUM111 DUM604=old183G03-2	
C10	931102-0	matka M4		1		matka M4	
C20	263005-3	vymezovací čep 6		2			
C30	346275-0	PLATE		2		deska	
027-1		INC. 3					
028	266429-2	TAPPING SCREW 3X16		6			
029	853A12-6	DUM604 NAME PLATE		1			
030	195267-4	SHEAR BLADE ASSEMBLY SET		1	*		
C10	188369-3	OIL VESSEL SET		1	*		
030-1	195267-4	SHEAR BLADE ASSEMBLY SET	O	1			
C10	188369-3	OIL VESSEL SET		1			
031	140451-6	UNDER COVER COMPLETE		1		kryt DUM111 DUM604	
A01	452055-5	BLADE COVER		1			
A02	457426-1	GRASS RECEIVER 160		1			
A03	198408-1	SHEAR BLADE ASSEMBLY 200 S SET		1			
C10	188369-3	OIL VESSEL SET		1			
A04	198401-5	CHIP RECEIVER SET		1			
A05	195275-5	BLADE COVER SET		1	*	kryt	
A05-1	195275-5	BLADE COVER SET	O	1	*	kryt	
A05-2	195274-7	BLADE COVER SET	O	1			
A06	450128-8	kryt baterie		1			
A07	***DC18SD	DC18SD BATTERY CHARGER		1	*		
A07		COMPO-PARTS			*		
A07-1	***DC18SD	DC18SD BATTERY CHARGER	O	1			
A07-1		COMPO-PARTS					
A08	196235-0	BATTERY BL1815N SET		1			
E01	812G42-2	SOUND 83DB LABEL		1			
F02-1	195267-4	SHEAR BLADE ASSEMBLY SET	O	1			

Prosím uveďte objednáací číslo dílu v objednávce

Datum tisku 23. 10. 2024