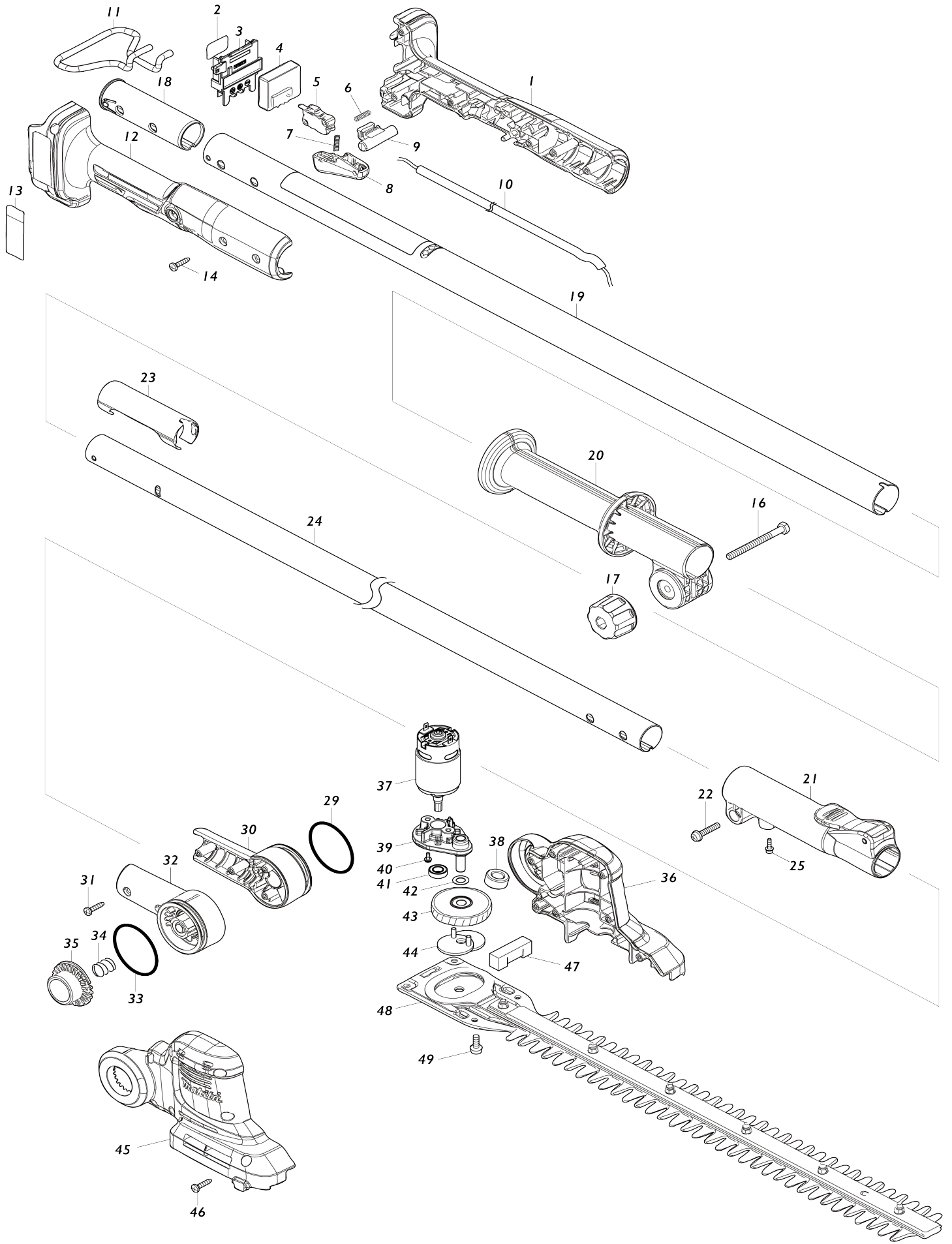


Model No.DUN461W 460MM DC POLE HEDGE TRIMMER



Model No.DUN461W 460MM DC POLE HEDGE TRIMMER

Obj. č.	Obj. č.	Popis	Možn ost zá měny	Množ ství	Nový/ Starý	Poznámka 1	Poznámka 2
001	183S96-1	GRIP HOUSING SET		1		obal	
C10	263005-3	vymezovací čep 6		2			
001		INC. 12					
002	811M68-7	DUN461W SERIAL NO. LABEL		1			
003	643874-2	TERMINAL		1		kontakt	
004	620F42-0	CONTROLLER		1		ovl	
005	651398-4	SWITCH BMC-1112-001		1		vyp	
006	231473-8	Compression Spring 4		1			
007	231473-8	Compression Spring 4		1			
008	413714-6	SWITCH LEVER		1		p	
009	413713-8	LOCK OFF BUTTON A		1		tla	
010	699168-3	POWER SUPPLY CORD UNIT		1		kabel	
C10	654069-2	Receptacle		2			
011	327810-3	BATTERY GUARD		1		kryt	
012	183S96-1	GRIP HOUSING SET		1		obal	
C10	263005-3	vymezovací čep 6		2			
012		INC. 1					
013	811M62-9	DUN461W NAME PLATE		1			
014	266326-2	šroub 4x18=new265995-6		6			
016	921362-2	HEX. BOLT M6X40		1			
017	264072-1	THUMB NUT M6		1		matka	
C10	931302-2	matka M6		1		matka M6=new25227 3-3	
018	413712-0	PIPE CAP 32		1		v	
019	141B61-4	PIPE 32 COMPLETE		1	*		
C10	8008A7-9	CAUTION LABEL		1	*		
C20	808723-2	CAUTION LABEL		1	*		
020	413719-6	FRONT GRIP A		1		p	
021	141C39-3	PIPE HOLDER 32 COMPLETE		1		dr	
C10	252103-8	zajišťovací šroub M5-8		1			
022	911243-8	šroub M5x25		1			
023	413711-2	PIPE CAP 28		1		v	
024	327815-3	PIPE 28		1	*		
025	251568-1	H.S.H.BOLT M3X12 WITH WR		1			
029	213616-4	o kroužek 48		1	*	o krou	
029-1	213A71-6	O-RING 46	<	1			
030	183T14-5	PIPE HOLDER SET		1		sada dr	
030		INC. 32					
031	266326-2	šroub 4x18=new265995-6		4			
032	183T14-5	PIPE HOLDER SET		1		sada dr	
032		INC. 30					
033	213616-4	o kroužek 48		1	*	o krou	
033-1	213A71-6	O-RING 46	<	1			
034	231113-8	COMPRESSION SPRING 12		1		pru	
035	413715-4	LOCK OFF BUTTON B		1		tla	
036	183T13-7	MOTOR HOUSING SET		1		kryt motoru	
C10	263005-3	vymezovací čep 6		4			
036		INC. 45					

037	629A62-1	DC MOTOR		1		rotor	
038	688131-1	filtr MT240/HM1801/1810/HR24=old688106-0		1	*	filtr	
038-1	688131-1	filtr MT240/HM1801/1810/HR24=old688106-0	O	1		filtr	
039	141B58-3	MOTOR HOLDER COMPLETE		1		dr	
040	265199-0	+ PAN HEAD SCREW M3X8		2			
041	210124-6	BALL BEARING 688ZZ		1			
042	253215-0	796119		1			
043	141B59-1	GEAR COMPLETE		1		p	
044	165734-3	CRANK		1	*	h	
044-1	162C43-9	CRANK	O	1			
045	183T13-7	MOTOR HOUSING SET		1		kryt motoru	
C10	263005-3	vymezovací čep 6		4			
045		INC. 36					
046	266326-2	šroub 4x18=new265995-6		7			
047	424958-3	SPONGE SEAL		1		p	
048	191P00-8	SHEAR BLADE 460 ASSEMBLY SET		1			
C10	188369-3	OIL VESSEL SET		1			
049	265074-0	PAN HEAD SCREW M5X16		4			
050	136621-3	PIPE ASSEMBLY		1		trubka	
C10	8008A7-9	CAUTION LABEL		1			
C20	808723-2	CAUTION LABEL		1			
050		INC. 21-23,25					
A01	413720-1	BLADE COVER		1			
A02	***DC18SD	DC18SD BATTERY CHARGER		1	*		
A02		COMPO-PARTS			*		
A02-1	***DC18SD	DC18SD BATTERY CHARGER	O	1			
A02-1		COMPO-PARTS					
A03	197600-6	BATTERY BL1830B SET		1			
A04	450128-8	kryt baterie		1			
E01	800A44-4	SOUND 88DB LABEL		1			
F01	191P00-8	SHEAR BLADE 460 ASSEMBLY SET		1			
F02	191T43-4	CHIP RECEIVER ASSEMBLY 460 SET		1			

Prosím uveďte objednáčíslo dílu v objednávce

Datum tisku 23. 10. 2024