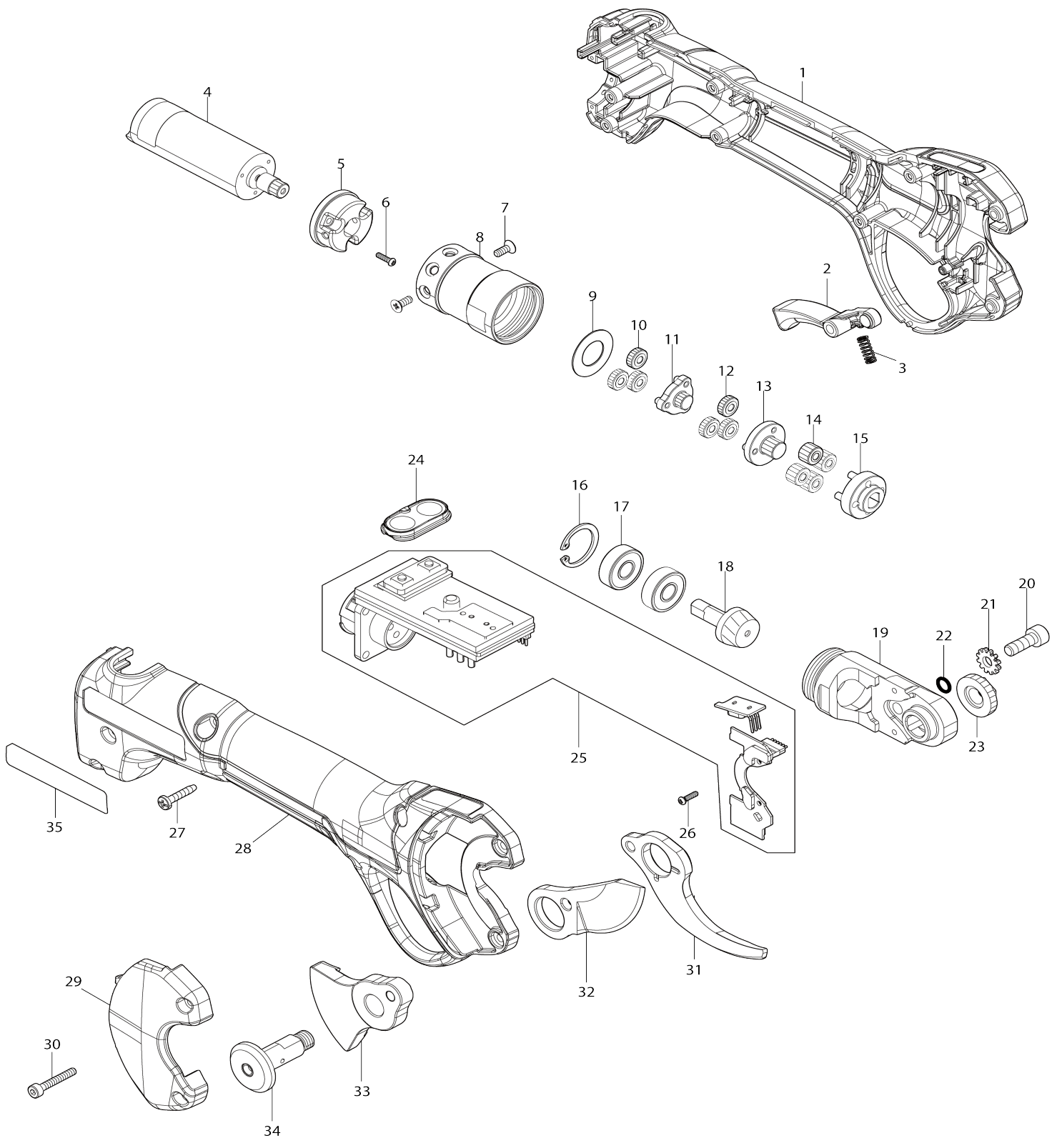


Model No.DUP180 BATTERY POWERED PRUNING SHEARS



Model No.DUP180 BATTERY POWERED PRUNING SHEARS

Obj. č.	Obj. č.	Popis	Možnost záměny	Množství	Nový/Stary	Poznámka 1	Poznámka 2
001	1830B4-2	HOUSING SET		1		obal stroje	
C10	8065E6-9	INDICATION LABEL		1			
C20	8065E7-7	INDICATION LABEL		1			
001		INC. 28					
002	141S58-5	TRIGGER COMPLETE		1		vyp	
003	232765-8	COMPRESSION SPRING 3		1		pru	
004	629C35-6	DC MOTOR		1		DC motor	
005	312D98-2	MOTOR HOLDER		1		dr	
006	265D05-3	PAN HEAD SCREW M2X8		3			
007	912007-3	C.H.SCREW M3X8		2			
008	227A61-3	INTERNAL GEAR 43		1		ozuben	
009	253084-9	podložka 12		1		podlo	
010	227A62-1	SPUR GEAR 15		3		ozuben	
011	141S56-9	SPUR GEAR 11 B COMPLETE		1		d	
012	227A62-1	SPUR GEAR 15		3		ozuben	
013	141S57-7	SPUR GEAR 13 COMPLETE		1		d	
014	227A63-9	SPUR GEAR 14		4		ozuben	
015	162C31-6	SUPPORTER COMPLETE		1		podp	
016	962059-4	RETAINING RING (INT) R-19		1		vymezovac	
017	210017-7	kuličkové ložisko 607DDW = old 922056		2		kuli	
018	227B18-0	ZEROL BEVEL GEAR 9		1		ozuben	
019	327C47-0	GEAR HOUSING		1		kryt p	
020	265D07-9	HEX.SOCKET HEAD BOLT M5X14		1			
021	253578-4	LOCK PLATE		1		deska	
022	213021-5	o-kroužek 5		1		o-krou	
023	252321-8	HEX. NUT M8		1		matka	
024	162C34-0	SWITCH PLATE COMPLETE		1		vypina	
025	620K68-2	CONTROLLER		1		ovl	
026	265D05-3	PAN HEAD SCREW M2X8		2			
027	266130-9	šroub PT 3X		6			
028	1830B4-2	HOUSING SET		1		obal stroje	
C10	8065E6-9	INDICATION LABEL		1			
C20	8065E7-7	INDICATION LABEL		1			
028		INC. 1					
029	141S63-2	HOUSING COVER COMPLETE		1	*		
C10	8065E8-5	CAUTION LABEL		1	*		
029-1	141S62-4	HOUSING COVER COMPLETE	O	1	*	kryt	
C10	8065E8-5	CAUTION LABEL		1	*		
029-2	1410T0-2	HOUSING COVER COMPLETE	<	1			
C10	8065E8-5	CAUTION LABEL		1			
030	265633-0	HEX SOCKET HEAD BOLT M3X20		2			
031	1913P3-6	SHEAR BLADE L SET		1		no	
032	1913P4-4	SHEAR BLADE U SET		1		no	
033	141S59-3	BLADE HOLDER COMPLETE		1		dr	
034	162C35-8	SHOULDER SCREW M8 COMPLETE		1			
035	8142L8-2	DUP180 NAME PLATE		1			
A01	782212-4	klíč 13		1		kl	

A02	783202-0	klíč imbus 4		1		kl	
A03	783208-8	klíč imbus 2.5		1		kl	
A04	162C23-5	HOLSTER		1			
A05	1912E4-1	DRESSER STONE SET		1			
A07	630E23-0	BATTERY ADAPTER		1			
A08	***DC18WC	DC18WC BATTERY CHARGER		1			
A08		COMPO-PARTS					
A09	197280-8	BATTERY BL1850B SET		1			
A10	821551-8	systainer Makpac 395x295x210 mm		1			
C10	453974-8	LATCH		4		spona Makpacu	
A11	8357T6-9	INNER TRAY		1			
A12	450128-8	kryt baterie		1			
F02	1913P3-6	SHEAR BLADE L SET		1		no	
F03	1913P4-4	SHEAR BLADE U SET		1		no	

Prosím uveďte objednáací číslo dílu v objednávce

Datum tisku 23. 10. 2024