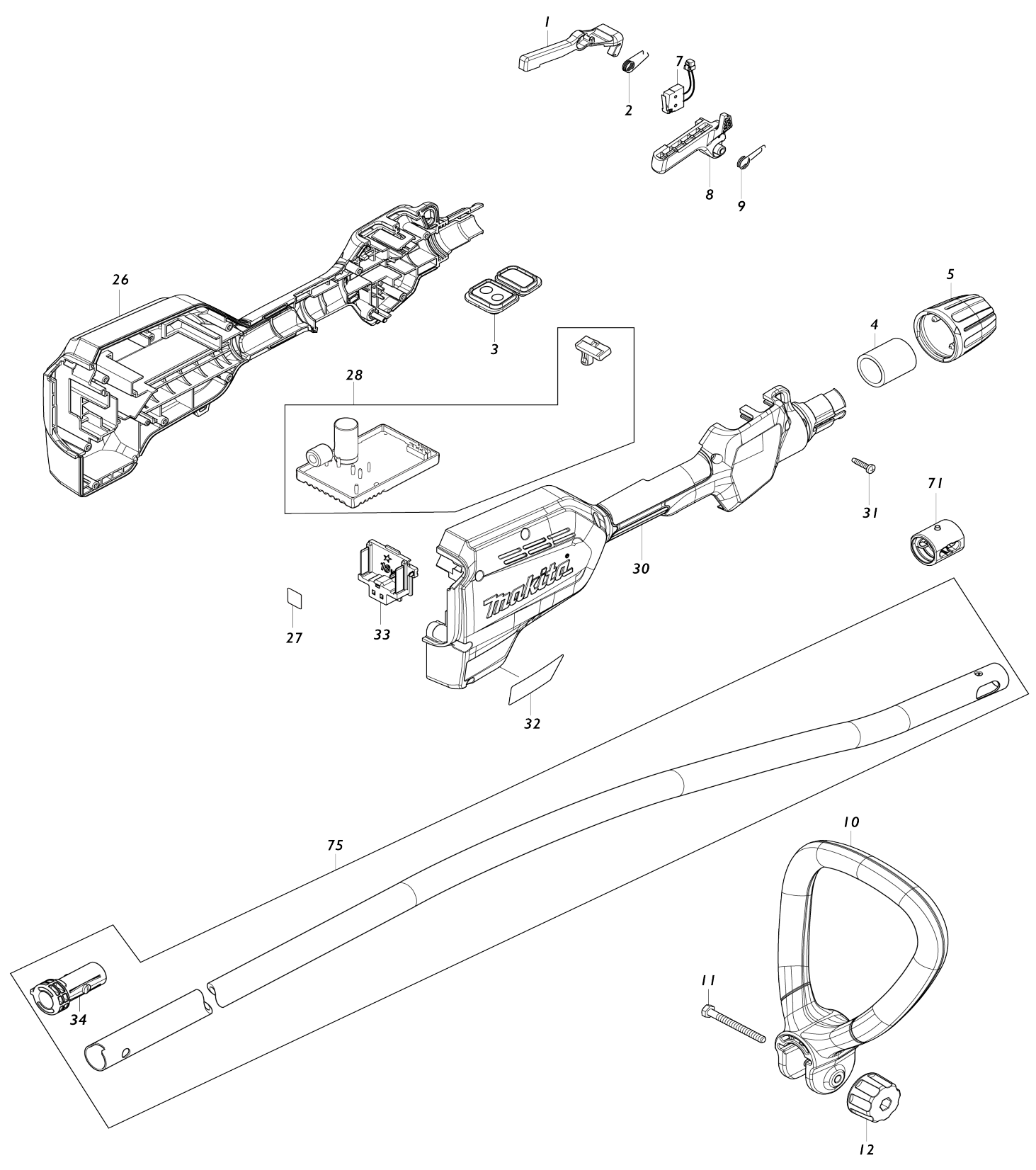
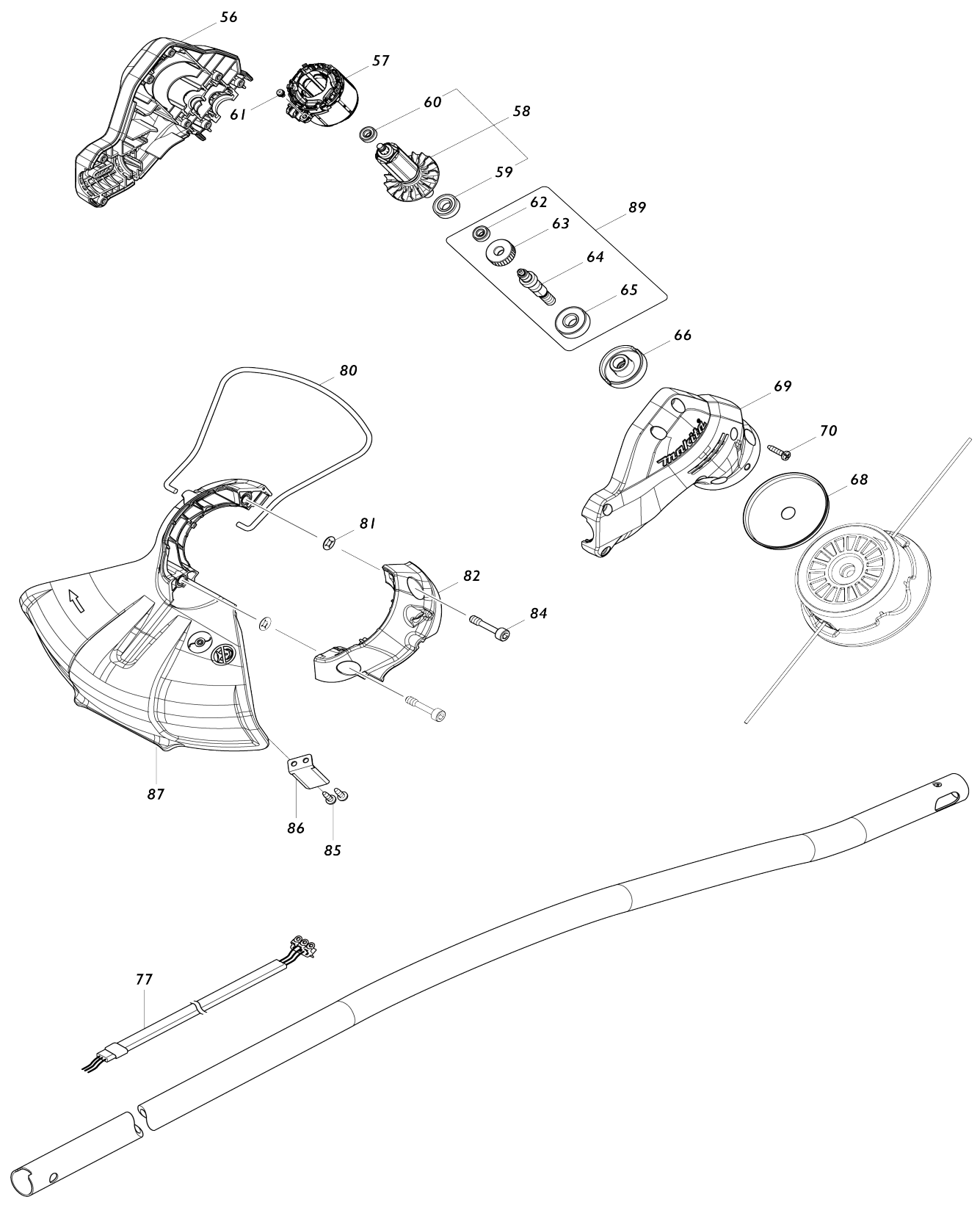


Model No.DUR189 CORDLESS GRASS TRIMMER



Model No.DUR189 CORDLESS GRASS TRIMMER



**Model No.DUR189 CORDLESS GRASS TRIMMER**

Obj. č.	Obj. č.	Popis	Možn ost zá měny	Množ ství	Nový/ Starý	Poznámka 1	Poznámka 2
001	456671-5	LOCK OFF LEVER		1		z	
002	233621-5	TORSION SPRING 9		1		pru	
003	140B61-1	SUB CONTROLLER COMPLETE		1		regul	
C10	816X50-7	SWITCH LABEL		1			
C20	816X51-5	INDICATION LABEL		1			
004	456647-2	RUBBER SLEEVE 24 A		1		gumov	
005	453344-1	LOCK SLEEVE		1		pouzdro	
007	632E26-0	SWITCH UNIT		1		vyp	
008	456670-7	SWITCH LEVER		1		p	
009	233612-6	TORSION SPRING 10		1		pru	
010	456423-4	LOOP HANDLE 24		1		dr	
011	921382-6	Hex. Bolt M6x60		1		926660 Hex. Bolt M6x60	
012	264072-1	THUMB NUT M6		1		matka	
C10	931302-2	matka M6		1		matka M6=new25227 3-3	
026	183E59-3	GRIP HOUSING SET		1		obal dr	
C10	263005-3	vymezovací čep 6		2			
026		INC. 30					
027	854K68-2	DUR189 SERIAL NO. LABEL		1			
028	620910-1	CONTROLLER		1	*	regul	
028-1	620910-1	CONTROLLER	O	1	*	regul	
028-2	620F97-5	CONTROLLER	<	1		ovlada	
030	183E59-3	GRIP HOUSING SET		1		obal dr	
C10	263005-3	vymezovací čep 6		2			
030		INC. 26					
031	266326-2	šroub 4x18=new265995-6		10			
032	854K62-4	DUR189 NAME PLATE		1			
033	644808-8	TERMINAL		1		terminal	
034	456648-0	PIPE CAP		1			
056	183F18-3	MOTOR HOUSING SET		1		obal motoru	
056		INC. 69					
057	629248-1	STATOR		1		stator	
058	519429-4	ROTOR ASS'Y		1	*	rotor	
058		INC. 59,60			*		
058-1	519429-4	ROTOR ASS'Y	O	1		rotor	
058-1		INC. 59,60					
059	210049-4	ložisko		1		lo	
060	211157-4	BALL BEARING 695ZZ		1		lo	
061	652069-6	FLAT HEAD SCREW M3X6		3			
062	211157-4	BALL BEARING 695ZZ		1		lo	
063	221492-2	HELICAL GEAR 26		1		ozuben	
064	327132-1	CUTTER SHAFT		1		h	
065	210059-1	BALL BEARING 6000DDW		1			
066	144512-4	RECEIVE WASHER COMPLETE		1		podlo	
C10	213055-8	o-kroužek 10		1		o krou	
068	346857-8	GUARD		1			
069	183F18-3	MOTOR HOUSING SET		1		obal motoru	
069		INC. 56					

070	266326-2	šroub 4x18=new265995-6		8		
071	424567-8	RUBBER SLEEVE 24		1		gufero
075	135955-1	PIPE ASS'Y		1		hadi
C10	816X52-3	CAUTION LABEL		1		
075		INC. 34				
077	699114-6	POWER SUPPLY CORD UNIT		1		kabel
C10	680391-1	SPONGE SHEET		1		
080	326348-5	WIRE GUARD		1		chr
081	413143-3	WASHER		2		podlo
082	454641-8	PROTECTOR HOLDER		1		dr
084	265647-9	HEX SOCKET HEAD BOLT M6X30 W		2		
085	266427-6	TAPPING SCREW 4X12		2		
086	346855-2	CUTTER		1		no
087	456651-1	PROTECTOR		1		chr
089	135967-4	GEAR ASSEMBLY		1		p
089		INC. 62-65				
A01	198971-4	TRIMMER HEAD 95-M8R SET ME		1		
A02	125516-5	BAND ASSEMBLY		1		
A04	783202-0	klíč inbus 4		1		kl
A05	783217-7	HEX. WRENCH 5		1		
A06	831304-7	ACCESSORY BAG		1		
A07	450128-8	kryt baterie		2		
A08	***DC18RC	DC18RC FAST CHARGER		1		
A08		COMPO-PARTS				
A09	197600-6	BATTERY BL1830B SET		2	*	
A09-1	197600-6	BATTERY BL1830B SET	O	2		
E01	817C33-4	SOUND 92DB LABEL		1		
F02	197297-1	TRIMMER HEAD 90-M8R SET ME		1		
F03	196591-8	NYLON CODE 2.0-15M SET		1		
F05	197472-9	NYLON CORD 2.0-15M SET		1		
F06	197473-7	NYLON CORD 2.0-30M SET		1		
F07	197474-5	NYLON CORD 2.0-160M SET		1		
F08	197475-3	NYLON CORD 2.0-280M SET		1		
F15	191D92-5	TRIMMER HEAD 96-M8R SET		1		

Prosím uveďte objednáací číslo dílu v objednávce

Datum tisku 24. 10. 2024