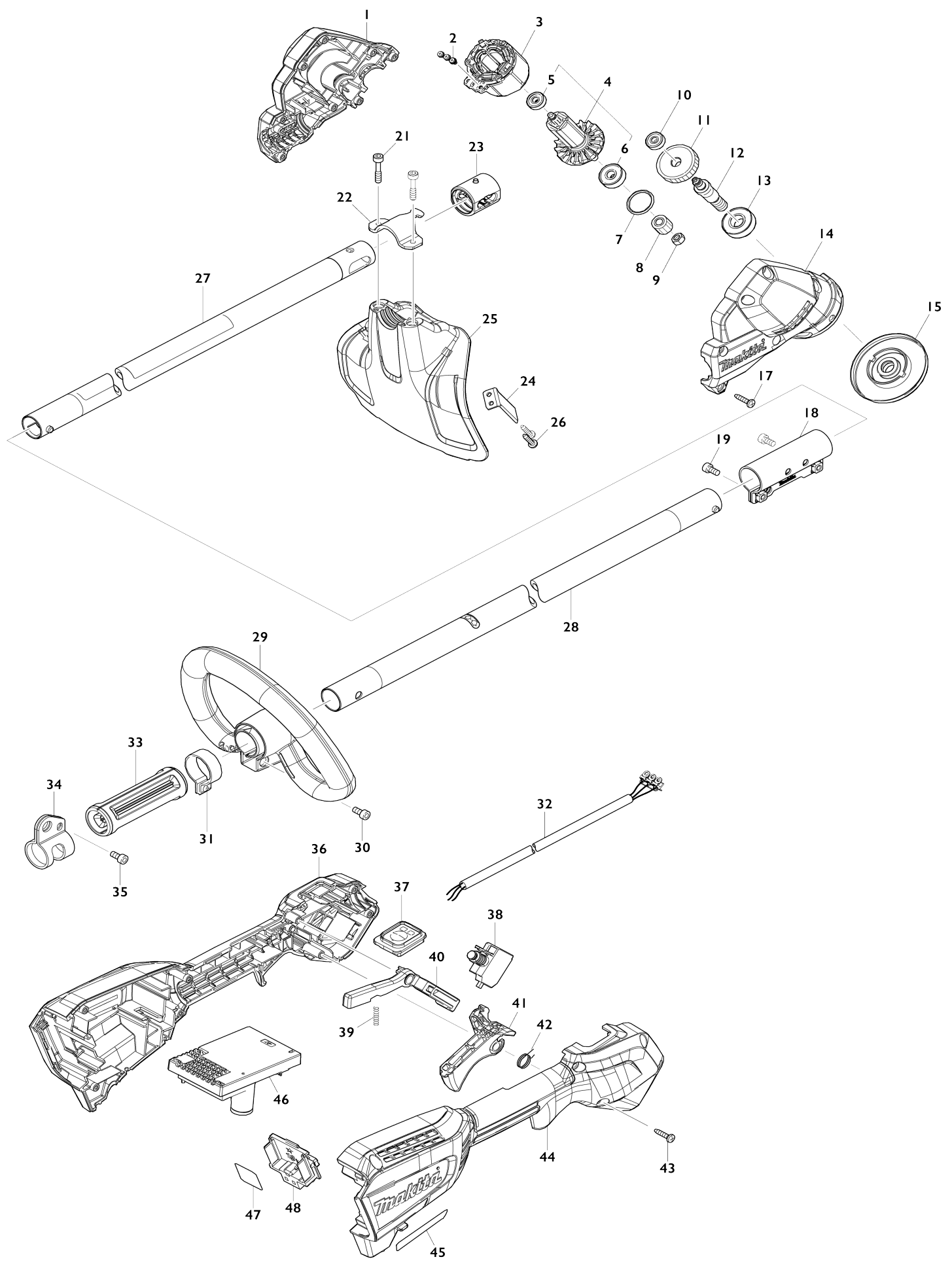


Model No.DUR192L CORDLESS GRASS TRIMMER



Model No.DUR192L CORDLESS GRASS TRIMMER

Obj. č.	Obj. č.	Popis	Možn ost za měny	Množ ství	Nový/ Starý	Poznámka 1	Poznámka 2
001	183R54-1	MOTOR HOUSING SET		1		obal motoru	
001		INC. 14					
002	652069-6	FLAT HEAD SCREW M3X6		3			
003	629A22-3	STATOR		1		stator	
004	519643-2	ROTOR ASS'Y		1		rotor	
004		INC. 5,6					
005	210235-7	BALL BEARING 625ZZ		1		lo	
006	210236-5	BALL BEARING 627ZZ		1		lo	
007	213843-3	O-RING 21		1	*	o-krou	
007-1	213925-1	O-RING 21	O	1		O krou	
008	227831-4	HELICAL GEAR 11		1	*	ozuben	
008-1	227883-5	HELICAL GEAR 11	<	1	*	ozuben	
008-2	227831-4	HELICAL GEAR 11	O	1		ozuben	
009	931302-2	matka M6		1		matka M6=new25227 3-3	
010	210235-7	BALL BEARING 625ZZ		1		lo	
011	227830-6	HELICAL GEAR 32		1		ozuben	
012	327678-7	CUTTER SHAFT		1		osa	
013	210216-1	BALL BEARING 6001DDW		1		lo	
014	183R54-1	MOTOR HOUSING SET		1		obal motoru	
014		INC. 1					
015	140W47-1	RECEIVE WASHER COMPLETE		1		podlo	
C10	213134-2	O-RING 11		1	*		
C11	213A62-7	O-RING 11	O	1			
017	266326-2	šroub 4x18=new265995-6		8	*		
017-1	265B67-9	TAPPING SCREW 4X18	O	8			
018	347747-8	JOINT 24		1			
019	922207-7	HEX. SOCKET HEAD BOLT M5X10		2			
021	251513-6	H.S.H.BOLT M5X25		2			
022	347667-6	PROTECTOR CLAMP		1		spona	
023	424567-8	RUBBER SLEEVE 24		1		gufero	
024	346855-2	CUTTER		1		no	
025	412580-8	PROTECTOR N 330		1			
026	266326-2	šroub 4x18=new265995-6		2	*		
026-1	265B67-9	TAPPING SCREW 4X18	O	2			
027	140W46-3	PIPE COMPLETE C		1		trubka	
C10	8023L9-8	CAUTION LABEL		1			
C20	819312-8	MAKITA LOGO LABEL		1			
028	140W45-5	PIPE COMPLETE B		1		trubka	
C10	808723-2	CAUTION LABEL		1			
029	457937-6	LOOP HANDLE 24		1	*		
029-1	413L67-5	LOOP HANDLE 24	O	1		rukoje	
030	922212-4	imbus M5x12		1		imbus M5x12	
031	347011-7	PIPE CLAMP 29		1			
032	699157-8	POWER SUPPLY CORD UNIT		1		kabel	
033	451601-1	SPACER 24		1			
034	347116-3	HANGER		1		dr	
035	922212-4	imbus M5x12		1		imbus M5x12	

036	183R55-9	GRIP HOUSING SET		1		obal	
C10	263005-3	vymezovací čep 6		3			
036		INC. 44					
037	140W41-3	SWITCH CIRCUIT COMPLETE		1		vypina	
C10	8007N9-0	SWITCH LABEL		1			
038	651494-8	SWITCH C3JW-1A-PA-2		1		vyp	
039	233101-1	vinutá pružina 4		1		vinut	
040	412863-6	LOCK OFF LEVER		1		z	
041	459758-2	SWITCH LEVER		1		p	
042	233622-3	TORSION SPRING 12		1		pru	
043	266326-2	šroub 4x18=new265995-6		8	*		
043-1	265B67-9	TAPPING SCREW 4X18	O	8			
044	183R55-9	GRIP HOUSING SET		1		obal	
C10	263005-3	vymezovací čep 6		3			
044		INC. 36					
045	857T44-9	DUR192L NAME PLATE		1			
046	620D79-5	CONTROLLER		1		ovl	
047	857T51-2	DUR192L SERIAL NO. LABEL		1			
048	644809-6	TERMINAL		1		kontakt	
A01	198893-8	CUTTER ASSEMBLY 95-M10L SET ME		1			
A02	127508-0	BAND ASS'Y		1			
A03	783202-0	klíč inbus 4		1		kl	
A05	***DC18SD	DC18SD BATTERY CHARGER		1	*		
A05		COMPO-PARTS			*		
A05-1	***DC18SD	DC18SD BATTERY CHARGER	O	1			
A05-1		COMPO-PARTS					
A06	197280-8	BATTERY BL1850B SET		1			
A07	450128-8	kryt baterie		1			
E01	800A41-0	SOUND 89DB LABEL		1	*		
E01-1	802H58-1	SOUND 90DB LABEL	<	1		zvuk 90dB	
F03	197472-9	NYLON CORD 2.0-15M SET		1			
F04	197473-7	NYLON CORD 2.0-30M SET		1			
F05	197474-5	NYLON CORD 2.0-160M SET		1			
F06	197475-3	NYLON CORD 2.0-280M SET		1			
F47	1915D8-4	TRIMMER HEAD 96-M10L SET		1			
F48	1914R8-6	TRIMMER HEAD ASSEMBLY 98-M 10L		1			

Prosím uveďte objednáč. číslo dílu v objednávce

Datum tisku 24. 10. 2024