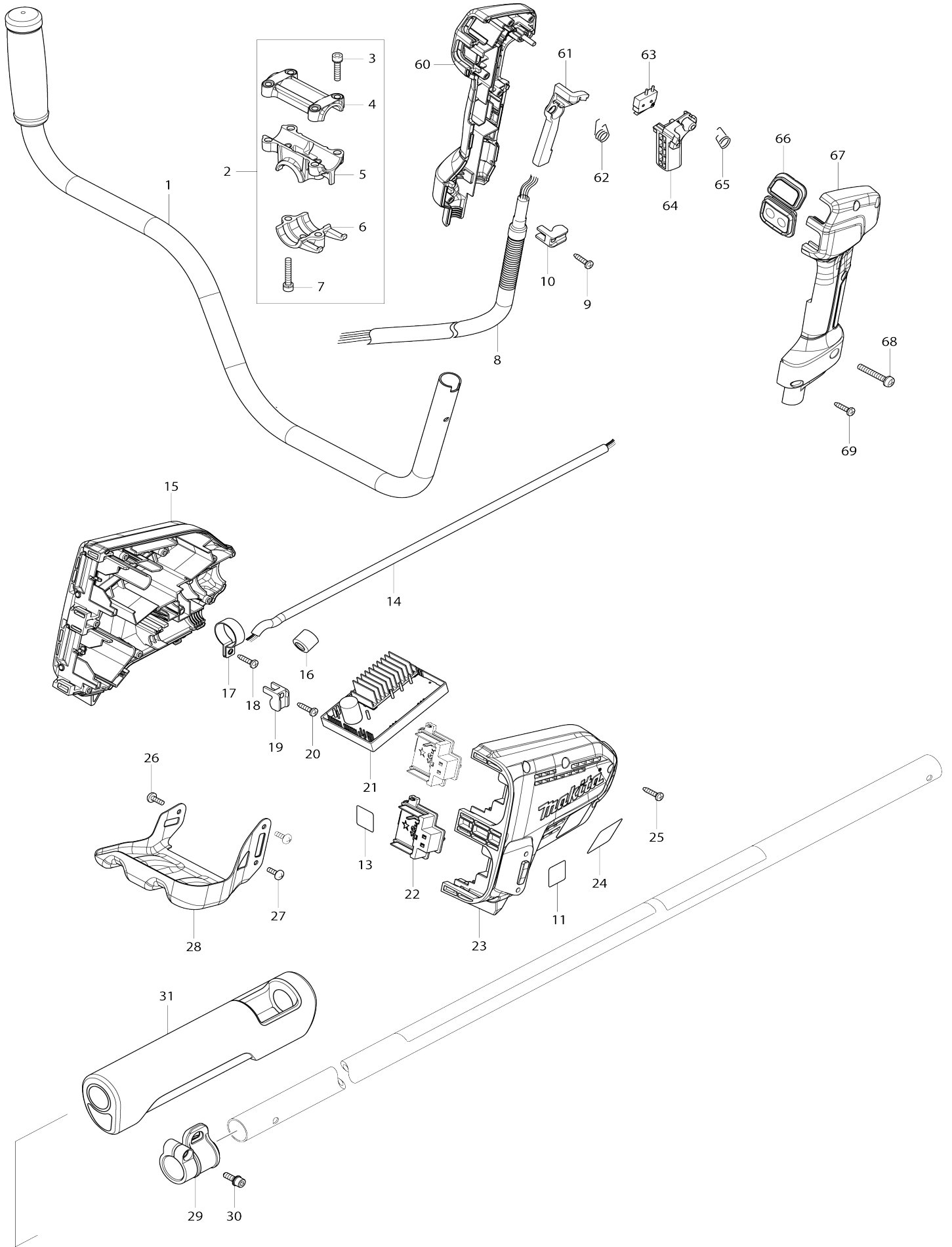


# Model No.DUR368A CORDLESS GRASS TRIMMER





**Model No.DUR368A CORDLESS GRASS TRIMMER**

Obj. č.	Obj. č.	Popis	Možnost zá měny	Množ ství	Nový/ Starý	Poznámka 1	Poznámka 2
001	140L83-1	HANDLE 19 COMPLETE		1		dr	
002	135395-3	HANDLE HOLDER ASS'Y		1	*	dr	
002		INC. 3-7			*		
002-1	1830A9-5	HANDLE HOLDER SET	O	1			
002-1		INC. 3-7					
003	922241-7	HEX. SOCKET HEAD BOLT M5X25		4			
004	318272-6	HANDLE HOLDER 1		1		dr	
005	318273-4	HANDLE HOLDER 2		1			
006	318274-2	HANDLE HOLDER 3		1			
007	922251-4	HEX. SOCKET HEAD BOLT M5X30		2	*		
007-1	922241-7	HEX. SOCKET HEAD BOLT M5X25	O	2			
008	699118-8	POWER SUPPLY CORD UNIT		1		kabel	
009	266326-2	šroub 4x18=new265995-6		1			
010	687260-7	držák kabelu GA5020/6020/HR22 30		1		dr	
011	807E85-5	SOUND 92DB LABEL		1	*		
011-1	800A66-4	SOUND 91DB LABEL	<	1			
013	855V64-9	DUR368A SERIAL NO. LABEL		1			
014	699067-9	POWER SUPPLY CORD UNIT		1		kabel	
015	183L33-3	HOUSING SET		1	*	obal	
C10	263005-3	vymezovací čep 6		4	*		
C20	252126-6	HEX. LOCK NUT M4-7		3	*	matka	
015		INC. 23			*		
015-1	183L33-3	HOUSING SET	O	1		obal	
C10	263005-3	vymezovací čep 6		4			
C20	252126-6	HEX. LOCK NUT M4-7		3		matka	
015-1		INC. 23					
016	688163-8	filtr		1		filtr AH3756 DCU180 DHS630 DHS710 DLM 460 DSS610 DTW190 DUH551 DUH651	
017	346248-3	CLAMP 24		1		spona 24	
018	266326-2	šroub 4x18=new265995-6		1			
019	687260-7	držák kabelu GA5020/6020/HR22 30		1		dr	
020	266326-2	šroub 4x18=new265995-6		1			
021	620A36-5	CONTROLLER		1	*		
021-1	620G00-2	CONTROLLER	<	1	*		
021-2	620J84-8	CONTROLLER	S	1		ovl	
022	644808-8	TERMINAL		2		terminal	
023	183L33-3	HOUSING SET		1	*	obal	
C10	263005-3	vymezovací čep 6		4	*		
C20	252126-6	HEX. LOCK NUT M4-7		3	*	matka	
023		INC. 15			*		
023-1	183L33-3	HOUSING SET	O	1		obal	
C10	263005-3	vymezovací čep 6		4			
C20	252126-6	HEX. LOCK NUT M4-7		3		matka	
023-1		INC. 15					
024	855V55-0	DUR368A NAME PLATE		1			
025	266326-2	šroub 4x18=new265995-6		7			

026	251314-2	028078		1		
027	251314-2	028078		2		
028	346858-6	BATTERY GUARD		1		kryt baterie DUR365 DUR368
029	168478-4	HANGER		1		zav
030	922228-9	H.S.H.BOLT M5X18 WITH WR		1		
031	424463-0	CUSHION		1		ucp
032	911233-1	šroub M5x20		3		
033	455626-7	TOP COVER		1		vrchn
034	210062-2	ložisko MT952		1	*	kuli
034-1	210269-0	BALL BEARING 607ZZ	O	1		kuli
035	529146-8	STATOR ASS'Y		1	*	stator=new520136-4
035		INC. 34,57			*	
035-1	520136-4	STATOR ASS'Y	<	1	*	stator=new520135-6
035-1		INC. 34,57			*	
035-2	520135-6	STATOR ASS'Y	O	1	*	
035-2		INC. 34,57			*	
035-3	592E25-3	STATOR ASS'Y	S	1		stator=old520135-6
035-3		INC. 34,57				
036	619462-7	ROTOR		1		rotor DUR365 DUR36 6 DUR368
037	911128-8	P.H.SCREW M4X16 WITH WR		2		
038	455628-3	INNER COVER		1		kryt
039	620562-8	CONTROLLER B		1	*	
039-1	620E48-2	CONTROLLER B	O	1	*	ovl
039-2	620J62-8	CONTROLLER B	S	1		ovl
040	911128-8	P.H.SCREW M4X16 WITH WR		1		
041	687042-7	držák kabelu		1		podp
042	922223-9	H.S.H.BOLT M5X16 WITH WR		2		
043	922241-7	HEX. SOCKET HEAD BOLT M5X25		1		
044	143039-1	MOTOR HOUSING COMPLETE		1		Krytu motoru
045	211131-2	kuličkové ložisko 6001DDW =old 922041		1		lo
046	962106-1	RETAINING RING R-28		1		krou
047	346084-7	podložka MS335.4U		1		
048	140L84-9	RECEIVE WASHER COMPLETE G		1		podlo
049	266579-3	šroub		2		
051	346073-2	spona		1		
052	261156-6	POLYPROPYLENE WASHER 4		2		podlo
053	455926-5	PROTECTOR		1		kryt
054	346855-2	CUTTER		1		no
055	266326-2	šroub 4x18=new265995-6		2		
056	140L89-9	PIPE COMPLETE O		1		trubka
C10	819312-8	MAKITA LOGO LABEL		1		
C20	819N87-3	CAUTION LABEL		1		
057	213325-5	O RING 19		1		o krou
058	168526-9	miska MS335.4U		1		miska MS335.4U
059	264025-0	matka		1		matka
060	183A77-7	GRIP SET		1		rukoje
060		INC. 67				
061	455629-1	LOCK OFF LEVER		1	*	z
061-1	413Y35-6	LOCK OFF LEVER	O	1		z

062	233621-5	TORSION SPRING 9		1		pru	
063	632E40-6	SWITCH UNIT		1		vyp	
064	455816-2	SWITCH LEVER		1		p	
065	233612-6	TORSION SPRING 10		1		pru	
066	140L81-5	SUB CONTROLLER COMPLETE G		1		panel DUR368A DUR368L	
C10	819N38-6	SWITCH LABEL		1			
C20	819N39-4	INDICATION LABEL		1			
067	183A77-7	GRIP SET		1		rukoje	
067		INC. 60					
068	911258-5	šroub M5x35 = old 290028		1			
069	266326-2	šroub 4x18=new265995-6		5			
072	266896-1	HEX. SOCKET HEAD BOLT M5X20		2			
073	346785-7	PROTECTOR CLAMP		1		spona DUR365	
074	455815-4	PROTECTOR		1	*	kryt DUR365U DUR368=new413886-7	
074-1	413886-7	PROTECTOR	O	1		chr	
075	253428-3	SPRING WASHER 6		2		podlo	
076	413143-3	WASHER		2		podlo	
A01	125516-5	BAND ASSEMBLY		1			
A02	198893-8	CUTTER ASSEMBLY 95-M10L SET ME		1			
A04	195150-5	CUTTER BLADE SET		1			
A05	456924-2	TOOL COVER		1			
A06	783202-0	klíč inbus 4		1		kl	
A07	831304-7	ACCESSORY BAG		1			
A08	783217-7	HEX. WRENCH 5		1			
A09	783013-3	BOX DRIVER 16-17		1			
A10	126642-3	PLASTIC BLADE ASSEMBLY255-M10L		1			
A11	***DC18RD	DC18RD TWO PORT FAST CHARGER		1			
A11		COMPO-PARTS					
A12	197280-8	BATTERY BL1850B SET		2			
A15	450128-8	kryt baterie		2			
B01	197294-7	PROTECTOR SET		1		kompletn	
B01		INC. 47,48,52,58,59,72-74					
F07	197472-9	NYLON CORD 2.0-15M SET		1			
F08	197473-7	NYLON CORD 2.0-30M SET		1			
F09	197474-5	NYLON CORD 2.0-160M SET		1			
F10	197475-3	NYLON CORD 2.0-280M SET		1			
F15	198502-9	NYLON CORD 2.4-30M SET		1			
F16	198503-7	NYLON CORD 2.4-120M SET		1			
F17	198504-5	NYLON CORD 2.4-180M SET		1			
F47	1915D8-4	TRIMMER HEAD 96-M10L SET		1			
F48	1914R8-6	TRIMMER HEAD ASSEMBLY 98-M10L		1			

Prosím uveďte objednáčíslo dílu v objednávce

Datum tisku 24. 10. 2024