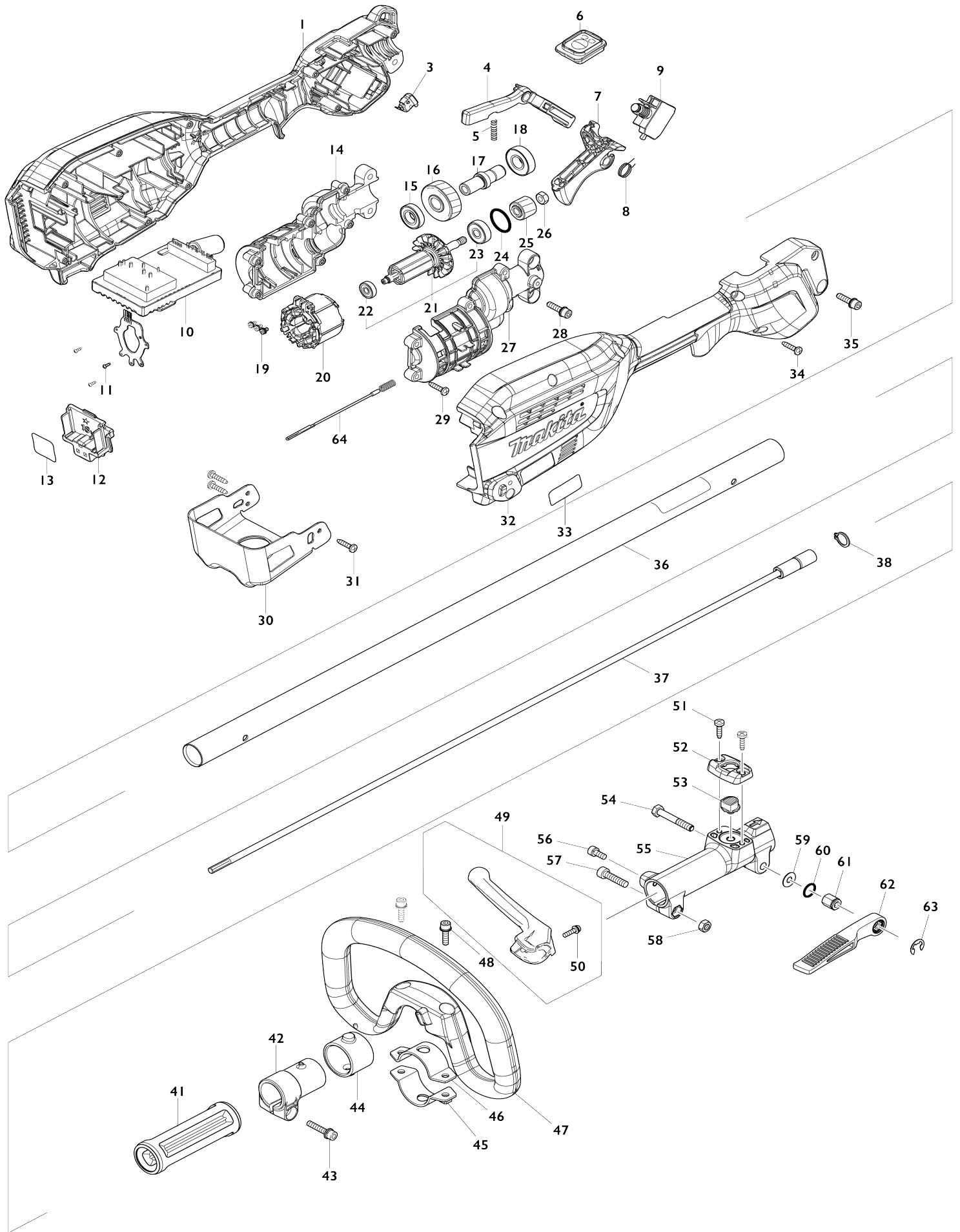


Model No.DUX18 CRDLSS MULTI FNCTN POWER HEAD



Model No.DUX18 CRDLSS MULTI FNCTN POWER HEAD

Obj. č.	Obj. č.	Popis	Možn ost zá měny	Množ ství	Nový/ Stary	Poznámka 1	Poznámka 2
001	183R81-8	GRIP HOUSING SET		1		dr	
C10	263005-3	vymezovací čep 6		2			
C20	931202-6	HEX. NUT M5		1			
001		INC. 32					
003	632G61-0	SWITCH UNIT		1		vyp	
004	412863-6	LOCK OFF LEVER		1		z	
005	233101-1	vinutá pružina 4		1		vinut	
006	140W41-3	SWITCH CIRCUIT COMPLETE		1		vypina	
C10	8007N9-0	SWITCH LABEL		1			
007	459758-2	SWITCH LEVER		1		p	
008	233622-3	TORSION SPRING 12		1		pru	
009	651494-8	SWITCH C3JW-1A-PA-2		1		vyp	
010	620D89-2	CONTROLLER		1		ovl	
011	266490-9	TAPPING SCREW PT 2X6		3			
012	644809-6	TERMINAL		1		kontakt	
013	857X05-3	DUX18 SERIAL NO. LABEL		1			
014	183R80-0	MOTOR HOUSING SET		1		obal motoru	
C10	931202-6	HEX. NUT M5		2			
014		INC. 27					
015	210243-8	BALL BEARING 6901ZZ		1		lo	
016	227848-7	HELICAL GEAR 33		1			
017	327719-9	SPINDLE HUB		1		d	
018	210244-6	BALL BEARING 6001ZZ		1		lo	
019	652069-6	FLAT HEAD SCREW M3X6		3			
020	629A28-1	STATOR		1		stator	
021	519654-7	ROTOR ASSY		1		rotor	
021		INC. 22,23					
022	210235-7	BALL BEARING 625ZZ		1		lo	
023	210236-5	BALL BEARING 627ZZ		1		lo	
024	213843-3	O-RING 21		1	*	o-krou	
024-1	213925-1	O-RING 21	O	1		O krou	
025	227849-5	HELICAL GEAR 16		1		ozuben	
026	252153-3	matice M6-10		1		matice M6-10	
027	183R80-0	MOTOR HOUSING SET		1		obal motoru	
C10	931202-6	HEX. NUT M5		2			
027		INC. 14					
028	922234-4	H.S.H.BOLT M5X20 WITH WG		2			
029	266326-2	šroub 4x18=new265995-6		6			
030	347765-6	BATTERY GUARD		1		chr	
031	266326-2	šroub 4x18=new265995-6		3			
032	183R81-8	GRIP HOUSING SET		1		dr	
C10	263005-3	vymezovací čep 6		2			
C20	931202-6	HEX. NUT M5		1			
032		INC. 1					
033	857W99-2	DUX18 NAME PLATE		1			
034	266326-2	šroub 4x18=new265995-6		10			
035	922234-4	H.S.H.BOLT M5X20 WITH WG		1			
036	140X34-6	SHAFT PIPE B COMPLETE		1		trubka B	

C10	8029L8-6	CAUTION LABEL		1		
037	141238-9	SHAFT B COMPLETE		1		
038	961052-5	segrovka vnější S-12		1		segrovka
041	451601-1	SPACER 24		1		
042	457269-1	PIPE HOLDER 24		1		dr
043	922244-1	H.S.H.BOLT M5X25 WITH WG		1		
044	424942-8	DAMPER		1		tlumi
045	347114-7	LOWER CLAMP 35		1		spona
046	347113-9	UPPER CLAMP 35		1		spona
047	457772-2	LOOP HANDLE		1		rukoje
C10	263005-3	vymezovací čep 6		1		
048	922234-4	H.S.H.BOLT M5X20 WITH WG		2		
049	144315-6	BARRIER COMPLETE		1		zar
049		INC. 50				
050	911128-8	P.H.SCREW M4X16 WITH WR		1		
051	266034-5	šroub = old 933417		2		
052	452840-6	RELEASE BUTTON COVER		1		kryt tla
053	452839-1	RELEASE BUTTON		1		tla
054	265596-0	HEX.BOLT M6X40		1		
055	318750-6	JOINT 24		1	*	
055-1	312D49-5	JOINT24	<	1		pouzdro=old318750-6
056	922211-6	H.S.H.BOLT M5X12 WITH W		1		
057	922342-1	imbus M6x25		1		imbus M6x25
058	931302-2	matka M6		1		matka M6=new252273-3
059	253332-6	podložka		1		podlo
060	213105-9	o-kroužek 11		1		o-krou
061	252159-1	HEX. NUT M6		1		matka M6
062	272268-0	LEVER 94		1		p
063	961014-3	zajišťovací kroužek		1		
064	632R79-7	LEAD UNIT		1		elektronika
065	443170-6	FELT		1		
A01	127508-0	BAND ASS'Y		1		
A03	783202-0	klíč inbus 4		1		kl
A04	831304-7	ACCESSORY BAG		1		
A05	782238-6	BOX WRENCH 17		1		
A06	191D89-4	TRIMMER HEAD 96-M10L SET		1		
A07	***EM408MP	GRASS TRIMMER ATTACHMENT		1		
A07		COMPO-PARTS				
F47	1915D8-4	TRIMMER HEAD 96-M10L SET		1		
F48	1914R8-6	TRIMMER HEAD ASSEMBLY 98-M10L		1		

Prosím uveďte objednáčíslo dílu v objednávce

Datum tisku 24. 10. 2024