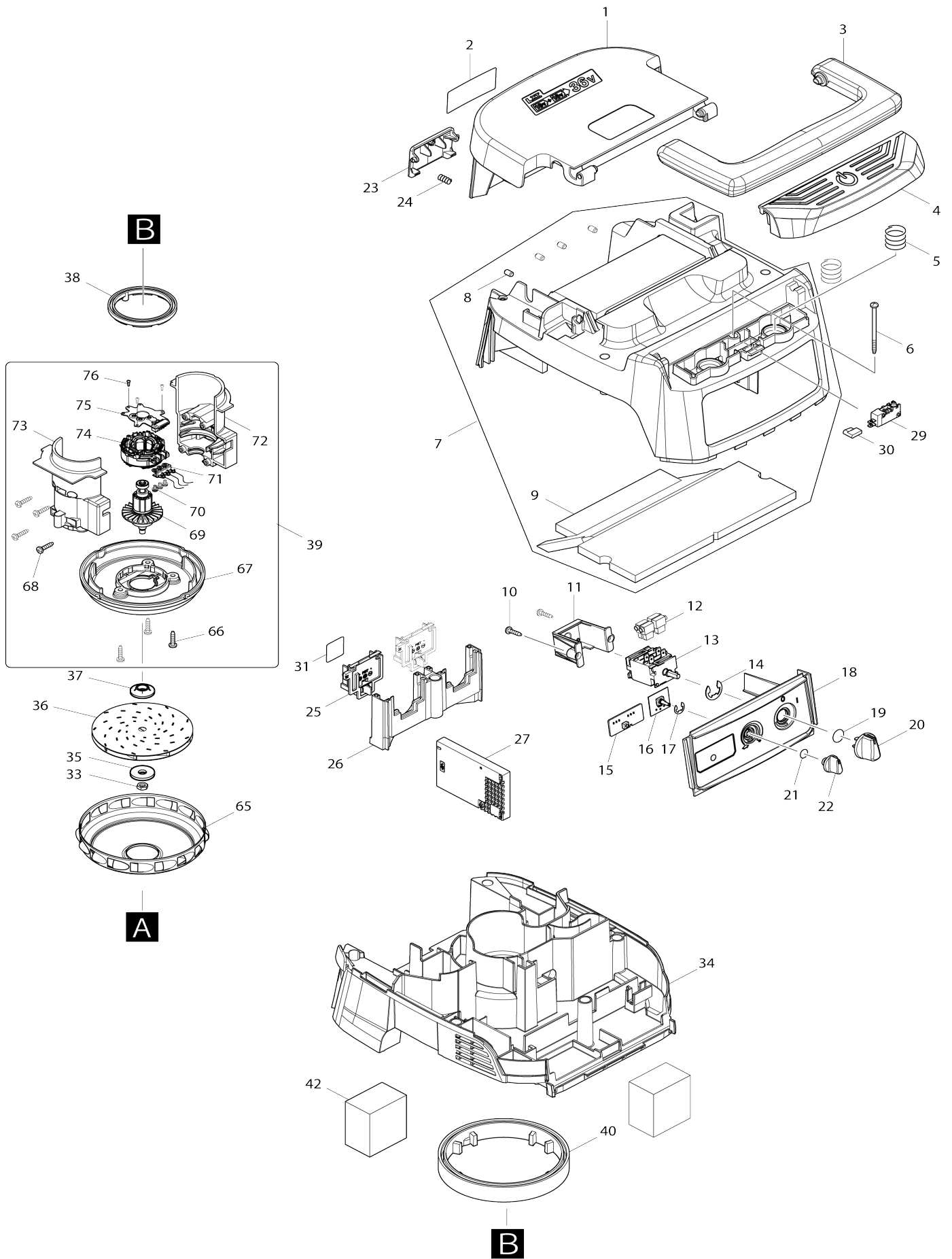
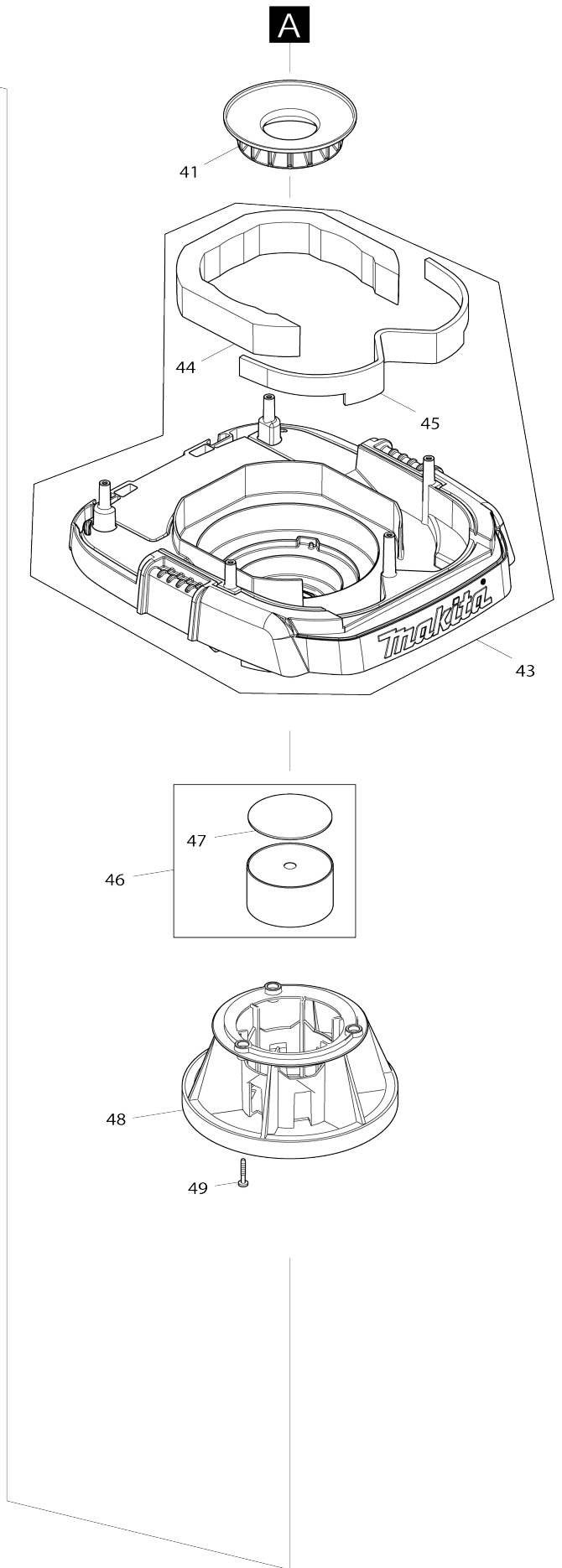
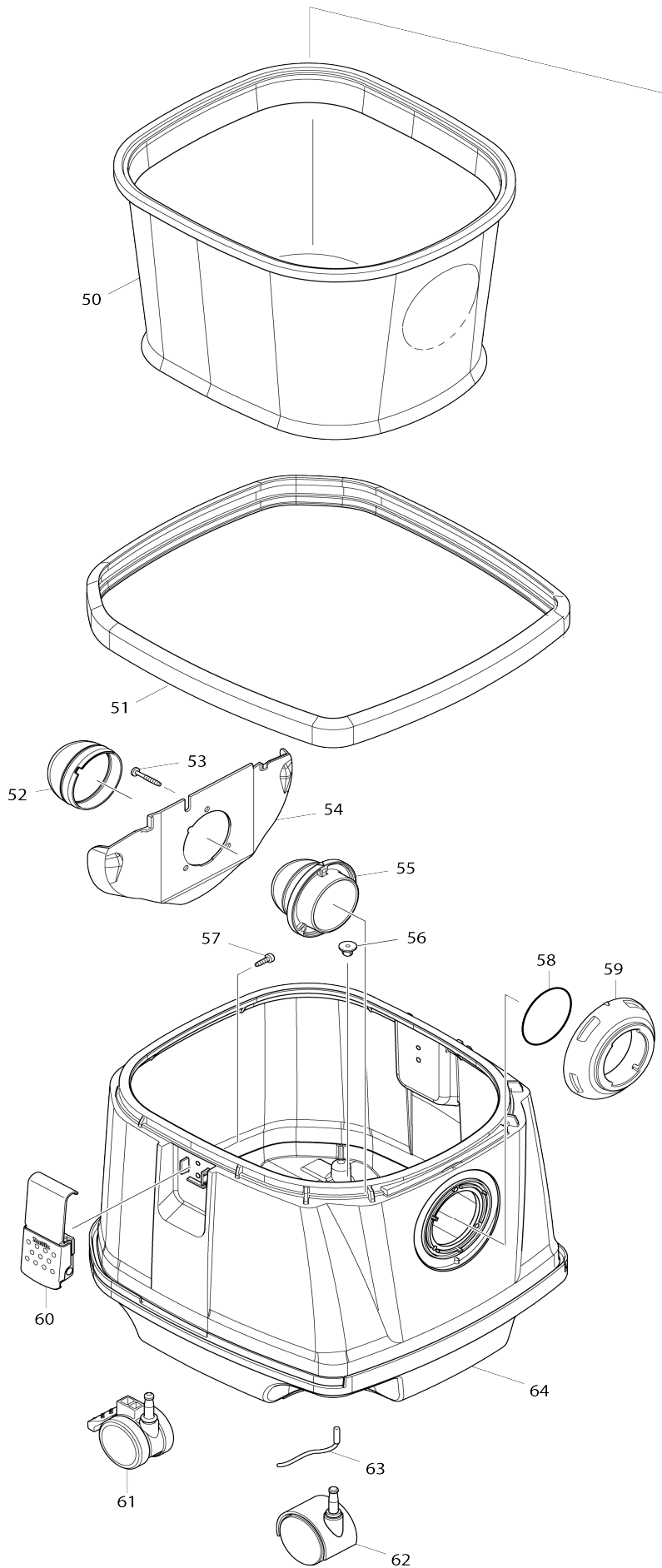


Model No.DVC155L CORDLESS VACUUM CLEANER



Model No.DVC155L CORDLESS VACUUM CLEANER



Model No.DVC155L CORDLESS VACUUM CLEANER

Obj. č.	Obj. č.	Popis	Možn ost zá měny	Množ ství	Nový/ Starý	Poznámka 1	Poznámka 2
001	143174-5	BATTERY COVER COMPLETE		1			
C10	891977-8	CAUTION LABEL		1			
002	857B71-8	DVC155L NAME PLATE		1			
003	455734-4	GRIP		1			
004	459262-1	SWITCH BUTTON		1			
005	234273-5	COMPRESSION SPRING 20		2		pru	
006	266340-8	TAPPING SCREW 4X65		6			
007	144409-7	COWLING COMPLETE		1			
007		INC. 8,9					
008	263005-3	vymezovací čep 6		4			
009	424688-6	TOP DAMPER		1			
010	266326-2	šroub 4x18=new265995-6		2			
011	451343-7	SWITCH HOLDER		1		dr	
012	686023-8	RECEPTACLE SLEEVE		4		pouzdro DVC86_/15_	
013	650622-2	SWITCH		1		vyp	
014	961062-2	STOP RING E-12		1		pru	
015	620649-6	LED CIRCUIT		1			
016	631922-9	SUB CONTROLLER		1			
017	961013-5	zajišťovací kroužek		1		zaji	
018	144479-6	SWITCH BASE COMPLETE		1			
C10	812D41-6	INDICATION LABEL		1			
019	213176-6	o kroužek		1		o krou	
020	455733-6	SWITCH LEVER		1			
021	213054-0	o-kroužek 9		1		o-krou	
022	451344-5	SWITCH DIAL		1			
023	455728-9	BATTERY COVER HOOK		1			
024	231240-1	vinutá pružina 7		1		vinut	
025	644808-8	TERMINAL		2		terminal	
026	455729-7	TERMINAL BASE		1			
027	620639-9	CONTROLLER		1		elektronika	
029	651910-0	SWITCH D2VW-01-3HS		1		vyp	
030	686039-3	RECEPTACLE SLEEVE		1			
031	857B79-2	DVC155L SERIAL NO. LABEL		1			
033	252268-6	HEX. NUT M6		1			
034	412581-6	SEPARATOR		1		odd	
035	253752-4	042086		1		042086	
036	240178-9	FAN 104		1		ventil	
037	313062-2	FLANGE		1		p	
038	424685-2	RUBBER RING 60		1		krou	
039	127602-8	MOTOR ASSEMBLY		1		motor	
039		INC. 66-76					
040	424686-0	RUBBER RING 120		1			
041	422590-7	SUPPORT RING		1		pouzdro	
042	424690-9	REAR BLOCK FILTER		2			
043	143175-3	TANK COVER COMPLETE		1			
043		INC. 44,45					
044	424691-7	BAND DAMPER		1			
045	424689-4	FRONT DAMPER		1			

046	158166-1	FLOAT COMPLETE		1		
046		INC. 47				
047	423365-7	SPONGE SEAL 70		1		
048	419725-9	FLOAT CAGE		1		
049	266374-1	šroub 4x25		3		
050	140248-3	CLOTH FILTER COMPLETE		1		
051	422148-2	BUMPER		1		
052	424382-0	RUBBER HOLDER		1		
053	266257-5	šroub 4x28		3		
054	419351-4	HOLDER PLATE		1		
055	419350-6	HOLDER		1		
056	421468-1	CORD SEAL		1		
057	266192-7	šroub 4 X 14		4		
058	213655-4	o-kroužek 56		1		o-krou
059	451348-7	INLET		1		
060	168537-4	háček		2		h
061	168535-8	CASTER 50		2		kolo
062	168434-4	CASTER 50		2		v
063	649150-2	EARTH LINE 120		1		
064	452291-3	TANK		1		
065	347171-5	FAN COVER		1		
066	266326-2	šroub 4x18=new265995-6		3		
067	457486-3	FAN BASE		1		
068	266326-2	šroub 4x18=new265995-6		4		
069	619431-8	ROTOR		1		
070	652069-6	FLAT HEAD SCREW M3X6		3		
071	632J83-8	LEAD UNIT		1		
072	183F90-5	MOTOR HOUSING SET		1		
072		INC. 73				
073	183F90-5	MOTOR HOUSING SET		1		
073		INC. 72				
074	629491-2	STATOR		1		stator
075	620648-8	CONTROLLER B		1		
076	266490-9	TAPPING SCREW PT 2X6		3		
A01	199493-7	HOSE COMPLETE 32-1.7 SET		1		
A02	195432-5	POLY BAG SET(650X650)		1		
A03	198919-6	LONG SASH NOZZLE SET 28 WHI		1		
A04	191G86-8	NOZZLE ASSEMBLY SET		1		
A05	140G19-0	TELESCOPIC PIPE COMPLETE		1		
A06	140G26-3	BENT PIPE COMPLETE		1		
A08	127607-8	TOOL BOX ASSEMBLY		1		
A09	911133-5	šroub M4x18		1		
A11	451350-0	uzávěr VC3210L		1		
E01	891978-6	CAUTION LABEL		1		
F22	191E30-3	FLEXIBLE HOSE SET(LOCK)		1		
F26	191G87-6	NOZZLE ASSEMBLY SET		1		
F27	191G89-2	TELESCOPIC PIPE SET		1		
F30	192236-6	TAPERED NOZZLE SET		1		
F40	195435-9	HOSE COMPLETE 38-5 SET		1		
F41	195436-7	HOSE COMPLETE 28-5 SET		1		
F42	195437-5	HOSE COMPLETE 28-2.5 SET		1		
F44	195544-4	držák kabelu VC3210L		1		

F45	195545-2	adaptér		1		
F46	195546-0	FRONT CUFF 24 SET		1		
F47	195547-8	adaptér=old417765-1		1		
F48	195548-6	JOINT 22-38 SET		1		
F49	195549-4	T-NOZZLE ASSY A SET(DRY)38		1		
F50	195550-9	T-NOZZLE ASSY B SET(WET)38		1		
F51	195551-7	zemní hubice VC3210L		1		
F52	195552-5	DAMPER SET		1		
F53	195553-3	PRE-FILTER SET		1		
F54	195555-9	FILTER FOR WATER SET		1		
F55	195557-5	FILTER BAG SET 15L(5PCS)		1	*	
F55-1	195557-5	FILTER BAG SET 15L(5PCS)	O	1		
F56	195637-7	HOLDER,CUFF SET		1		
F59	197323-6	HOSE STAND SET		1		
F62	198184-7	F/C SWITCHING T-NOZZLE 38		1		
F66	198529-9	FLOOR/CARPET T-NOZZLE BLK E U		1		
F68	198533-8	F/C SWITCHING T-NOZZLE 38 EU		1		
F69	198540-1	SHELF BRUSH SET28 BLK EU		1		
F70	198555-8	ROUND BRUSH SET 28 BLK EU		1		
F72	198560-5	TELESCOPIC PIPE SET 28 EU		1		
F74	198873-4	SHELF BRUSH SET28 WHI		1		
F75	198878-4	ROUND BRUSH SET 28 WHI		1		
F76	198919-6	LONG SASH NOZZLE SET 28 WHI		1		
F77	198992-6	LONG SASH NOZZLE SET 28 BLK		1		
F78	199038-1	SEAT NOZZLE SET 28 WHI		1		
F79	199039-9	SEAT NOZZLE SET 28 BLK		1		
F81	199439-3	CREVICE NOZZLE 415 SET		1		
F86	191M77-5	JOINT A 32 SET		1		
F87	191M78-3	JOINT B 35 SET		1		
F88	191M79-1	JOINT C 38 SET		1		
G09	1912G4-5	TELESCOPIC PIPE COMPLETE SET		1		
G10	1912G5-3	BENT PIPE COMPLETE SET		1		
G11	413R35-4	STOPPER		1		

Prosím uveďte objednáčíslo dílu v objednávce

Datum tisku 24. 10. 2024