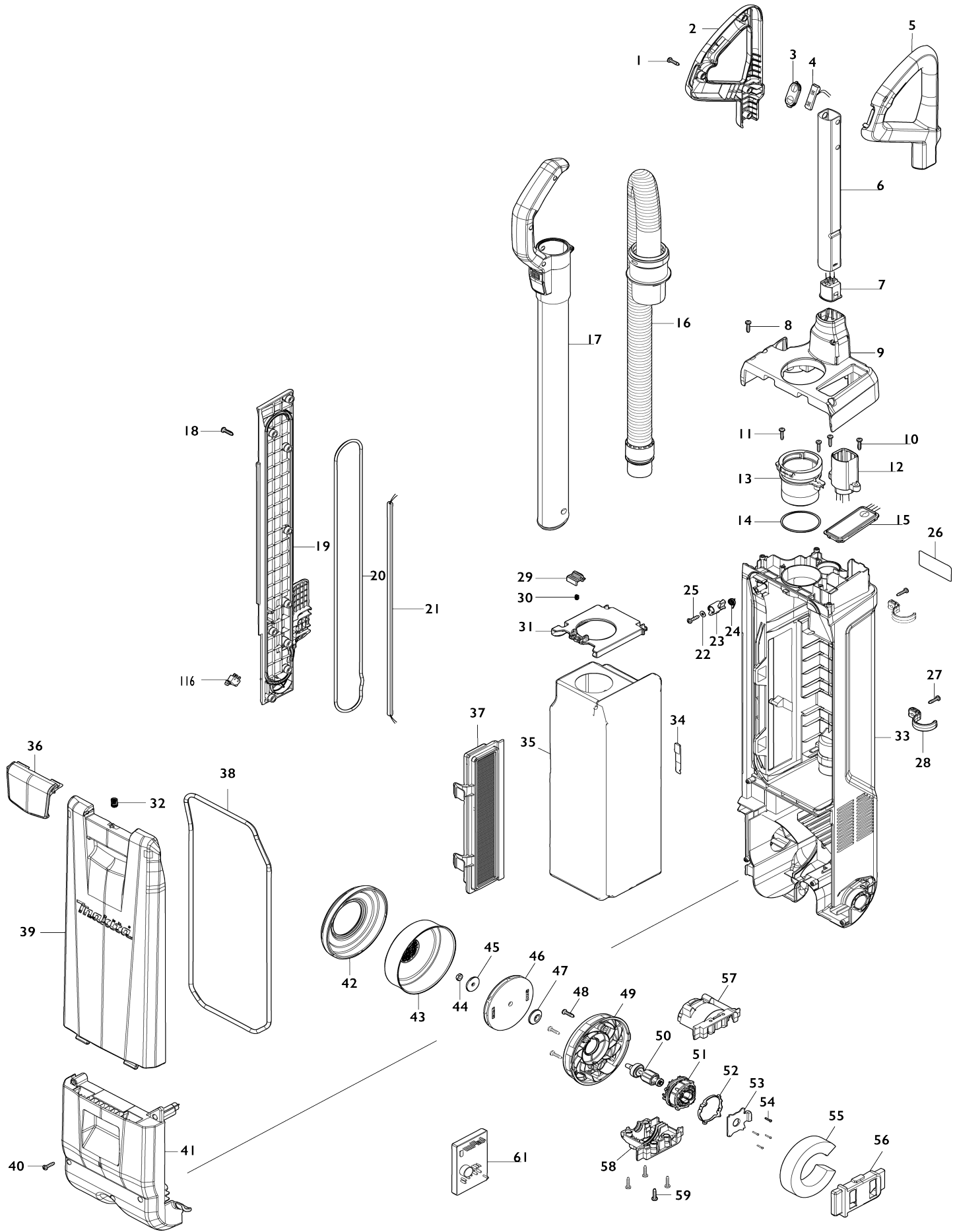
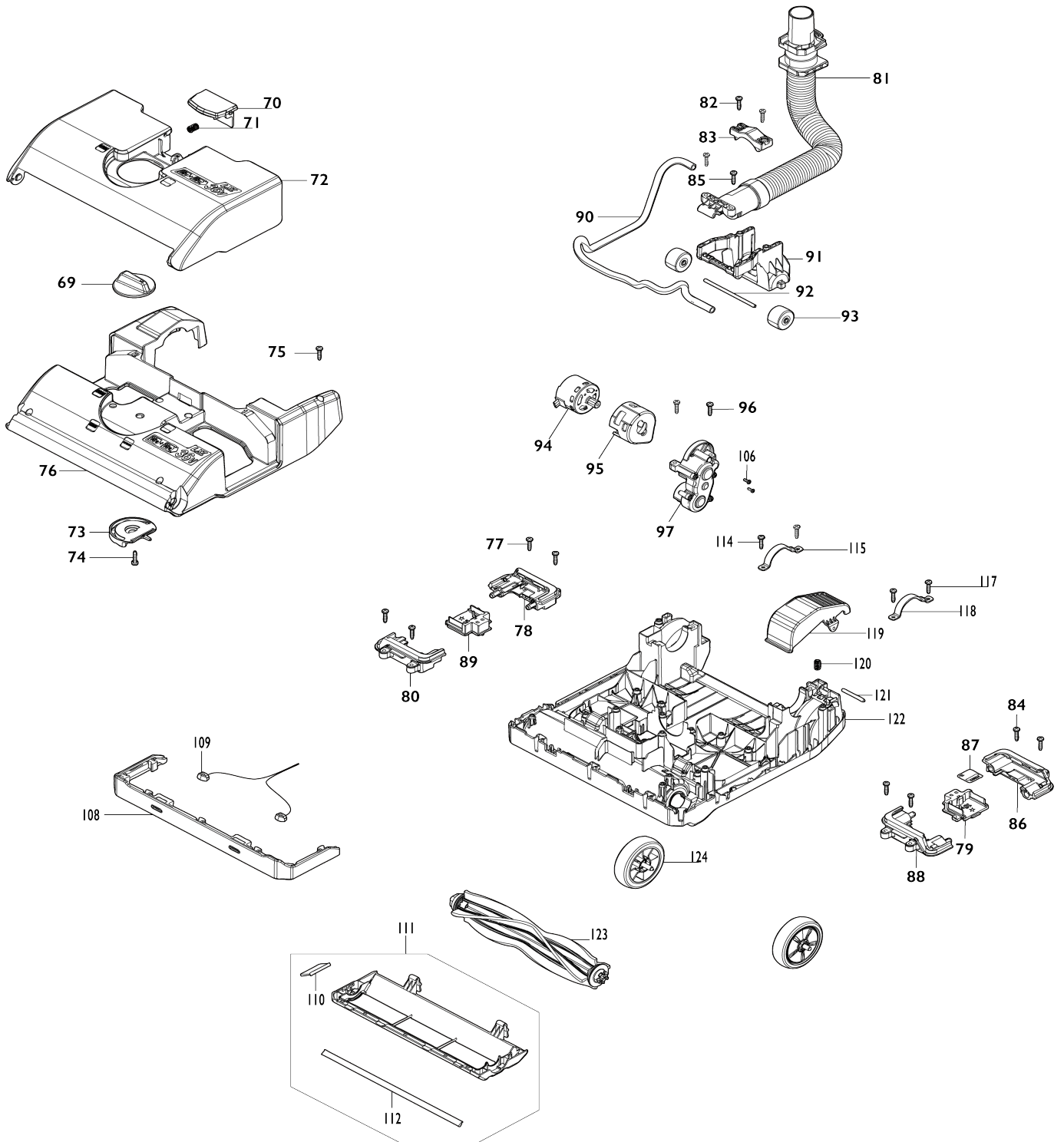


Model No.DVC560 CORDLESS UPRIGHT CLEANER



Model No.DVC560 CORDLESS UPRIGHT CLEANER



Model No.DVC560 CORDLESS UPRIGHT CLEANER

Obj. č.	Obj. č.	Popis	Možn ost zá měny	Množ ství	Nový/ Starý	Poznámka 1	Poznámka 2
001	266326-2	šroub 4x18=new265995-6		4			
002	183R12-7	HANDLE SET		1		dr	
002		INC. 5					
003	140S35-4	SWITCH PLATE COMPLETE		1		deska vyp	
C10	8020C7-1	SWITCH LABEL		1			
004	631973-2	SWITCH UNIT		1		vyp	
005	183R12-7	HANDLE SET		1		dr	
005		INC. 2					
006	327555-3	PIPE A		1		hadice A	
007	632R23-4	LEAD UNIT		1		olv	
008	266326-2	šroub 4x18=new265995-6		4			
009	140U72-0	TOP COVER COMPLETE		1		kryt	
010	266326-2	šroub 4x18=new265995-6		2			
011	266326-2	šroub 4x18=new265995-6		2			
012	632R22-6	LEAD UNIT		1		ovl	
013	412455-1	INLET		1		vlo	
014	213663-5	o-kroužek 55		1		o-krou	
015	140V53-0	INDICATION CIRCUIT COMPLETE		1		indik	
016	140S37-0	HOSE COMPLETE 28-0.7		1	*	hadice 28-0.7=new141F95-1	
016-1	141F95-1	HOSE COMPLETE 28-0.7	<	1		hadice 28-0.7	
017	127522-6	PIPE ASSEMBLY		1		hubice	
018	266326-2	šroub 4x18=new265995-6		9			
019	412449-6	SIDE DUST BOX COVER		1		kryt prachov	
020	422580-0	SEAL RING B		1		t	
021	632R25-0	LEAD UNIT		1		ovl	
022	941051-3	Flat Washer 4		1		podlo	
023	412465-8	STOPPER PLATE		1		deska	
024	232627-0	TORSION SPRING 9		1		torzn	
025	266326-2	šroub 4x18=new265995-6		1			
026	857N02-9	DVC560 NAME PLATE		1			
027	266326-2	šroub 4x18=new265995-6		2			
028	412444-6	NOZZLE HOLDER		2		dr	
029	412464-0	LOCK LEVER A		1		p	
030	231309-1	vinutá pružina 5		1		vinut	
031	412463-2	STAY		1		podstavec	
032	234391-9	COMPRESSION SPRING 8		1		pru	
033	136303-7	DUST BOX ASSEMBLY		1	*	prachov	
033-1	136605-1	DUST BOX ASSEMBLY	<	1	*	prachov	
033-2	137109-6	DUST BOX ASSEMBLY	S	1			
034	140V23-9	VALVE COMPLETE		1		v	
035	191D63-2	FILTER BAG SET		1	*		
035-1	191T96-3	FILTER BAG SET	O	1			
036	412446-2	LATCH		1		spona	
037	191E39-5	MAIN FILTER H SET		1			
038	422578-7	SEAL RING A		1		t	
039	412445-4	DUST BOX COVER		1		kryt prachov	
040	266326-2	šroub 4x18=new265995-6		7			

041	140S32-0	MOTOR COVER COMPLETE		1		kryt motoru	
042	422376-9	SUPPORT RING		1		krou	
043	161804-6	FAN COVER		1			
044	252268-6	HEX. NUT M6		1			
045	322407-3	WASHER 6		1			
046	241851-4	větrák 94		1		v	
047	313062-2	FLANGE		1		p	
048	266326-2	šroub 4x18=new265995-6		3			
049	456736-3	FAN BASE		1		t	
050	619517-8	ROTOR		1	*	rotor DVC260 =old 61 9395-6	
050-1	619517-8	ROTOR	O	1		rotor DVC260 =old 61 9395-6	
051	629A10-0	STATOR		1		stator	
052	687464-1	SUPPORT		1		mont	
053	620526-2	CONTROLLER B		1		regul	
054	266786-8	+ PAN HEAD TAPPING SCREW 2X 10		4			
055	422370-1	BAND DAMPER C		1		popruh	
056	424837-5	SUPPORT A		1		podp	
057	183D13-1	MOTOR HOUSING SET		1		obal motoru DVC260 DVC261 DVC265	
057		INC. 58					
058	183D13-1	MOTOR HOUSING SET		1		obal motoru DVC260 DVC261 DVC265	
058		INC. 57					
059	266326-2	šroub 4x18=new265995-6		4			
061	620D17-7	CONTROLLER		1	*	ovl	
061-1	620G60-4	CONTROLLER	<	1		ovl	
069	412438-1	HEIGHT CHANGE LEVER		1		p	
070	412440-4	LOCK LEVER B		1		p	
071	234332-5	COMPRESSION SPRING 7		1		pru	
072	412437-3	BATTERY COVER		1		kryt baterie	
073	412439-9	CAM		1		va	
074	266326-2	šroub 4x18=new265995-6		1			
075	266326-2	šroub 4x18=new265995-6		8			
076	412420-0	UPPER HOUSING		1		spodn	
077	266326-2	šroub 4x18=new265995-6		4			
078	183R14-3	TERMINAL CASE SET		1		st	
C10	263005-3	vymezovací čep 6		2			
078		INC .80					
079	644809-6	TERMINAL		1		kontakt	
080	183R14-3	TERMINAL CASE SET		1		st	
C10	263005-3	vymezovací čep 6		2			
080		INC. 78					
081	140S36-2	HOSE COMPLETE 28-0.2		1	*	hadice 28-0.2=new14 1F94-3	
081-1	141F94-3	HOSE COMPLETE 28-0.2	<	1		hadice 28-0.2	
082	266326-2	šroub 4x18=new265995-6		2			
083	412435-7	CAM PLATE		1		deska va	
084	266326-2	šroub 4x18=new265995-6		4			
085	266326-2	šroub 4x18=new265995-6		2			
086	183R14-3	TERMINAL CASE SET		1		st	

C10	263005-3	vymezovací čep 6		2		
086		INC. 88				
087	857N09-5	DVC560 SERIAL NO. LABEL		1		
088	183R14-3	TERMINAL CASE SET		1	st	
C10	263005-3	vymezovací čep 6		2		
088		INC. 86				
089	644809-6	TERMINAL		1	kontakt	
090	422582-6	TUBE		1	hadice	
091	412433-1	FRONT ROLLER HOLDER		1	p	
092	256954-1	FRONT ROLLER SHAFT		1	p	
093	412434-9	FRONT ROLLER		2	p	
094	629A11-8	DC MOTOR		1	motor	
095	422583-4	TUBE JOINT		1		
096	266326-2	šroub 4x18=new265995-6		2		
097	122A42-1	BRUSH GEAR ASSEMBLY		1	dr	
106	265199-0	+ PAN HEAD SCREW M3X8		2		
108	422574-5	BUMPER		1	doraz	
109	620D19-3	LED CIRCUIT		1	led okruh	
110	422577-9	SIDE BRUSH		1	kart	
111	127521-8	BOTTOM PLATE ASSEMBLY		1	deska	
111		INC. 110,112				
112	422576-1	BRUSH		1	kart	
114	266326-2	šroub 4x18=new265995-6		2		
115	347719-3	HINGE HOLDER		1	dr	
116	632R30-7	SWITCH UNIT		1	vyp	
117	266326-2	šroub 4x18=new265995-6		2		
118	347719-3	HINGE HOLDER		1	dr	
119	412454-3	FOOT LEVER		1	* p	
119-1	413J90-8	FOOT LEVER	O	1	p	
120	234339-1	COMPRESSION SPRING 6		1	pru	
121	256965-6	PIN 4		1		
122	140W03-1	LOWER HOUSING COMPLETE		1	obal	
C10	8020C4-7	CAUTION LABEL		1		
123	191D69-0	BRUSH COMPLETE SET		1	* kart	
C10	141K74-9	BRUSH METAL HOLDER COMPLETE		1	*	
123-1	1910T8-6	BRUSH COMPLETE SET	<	1	kart	
C10	141K74-9	BRUSH METAL HOLDER COMPLETE		1		
124	140S28-1	CASTER 75 COMPLETE		2	kole	
125	413R43-5	FOOT LEVER STOPPER	S	1		
126	266326-2	šroub 4x18=new265995-6	S	1		
A01	191D65-8	LONG SASH NOZZLE SET		1		
A02	191D67-4	ROUND BRUSH SET		1		
A03	***DC18RD	DC18RD TWO PORT FAST CHARGER		1		
A03		COMPO-PARTS				
A04	197280-8	BATTERY BL1850B SET		2		
F02	191D65-8	LONG SASH NOZZLE SET		1		
F03	191D67-4	ROUND BRUSH SET		1		
F05	191E39-5	MAIN FILTER H SET		1		
F06	191Y86-6	DUST BAG SET		1		

F07	1912B1-6	GRIP ASSEMBLY SET		1		
-----	----------	-------------------	--	---	--	--

Prosím uveďte objednáací číslo dílu v objednávce

Datum tisku 24. 10. 2024