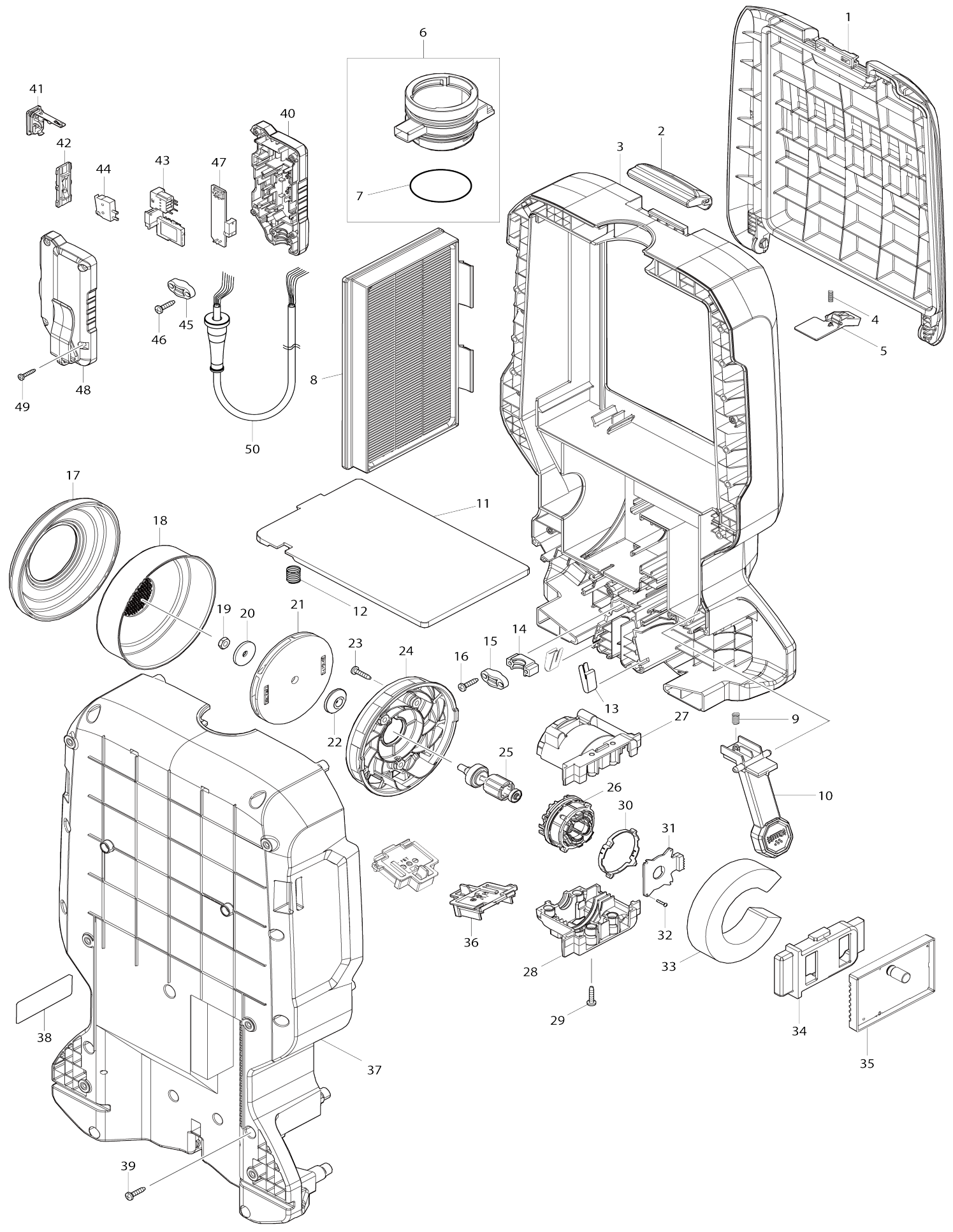
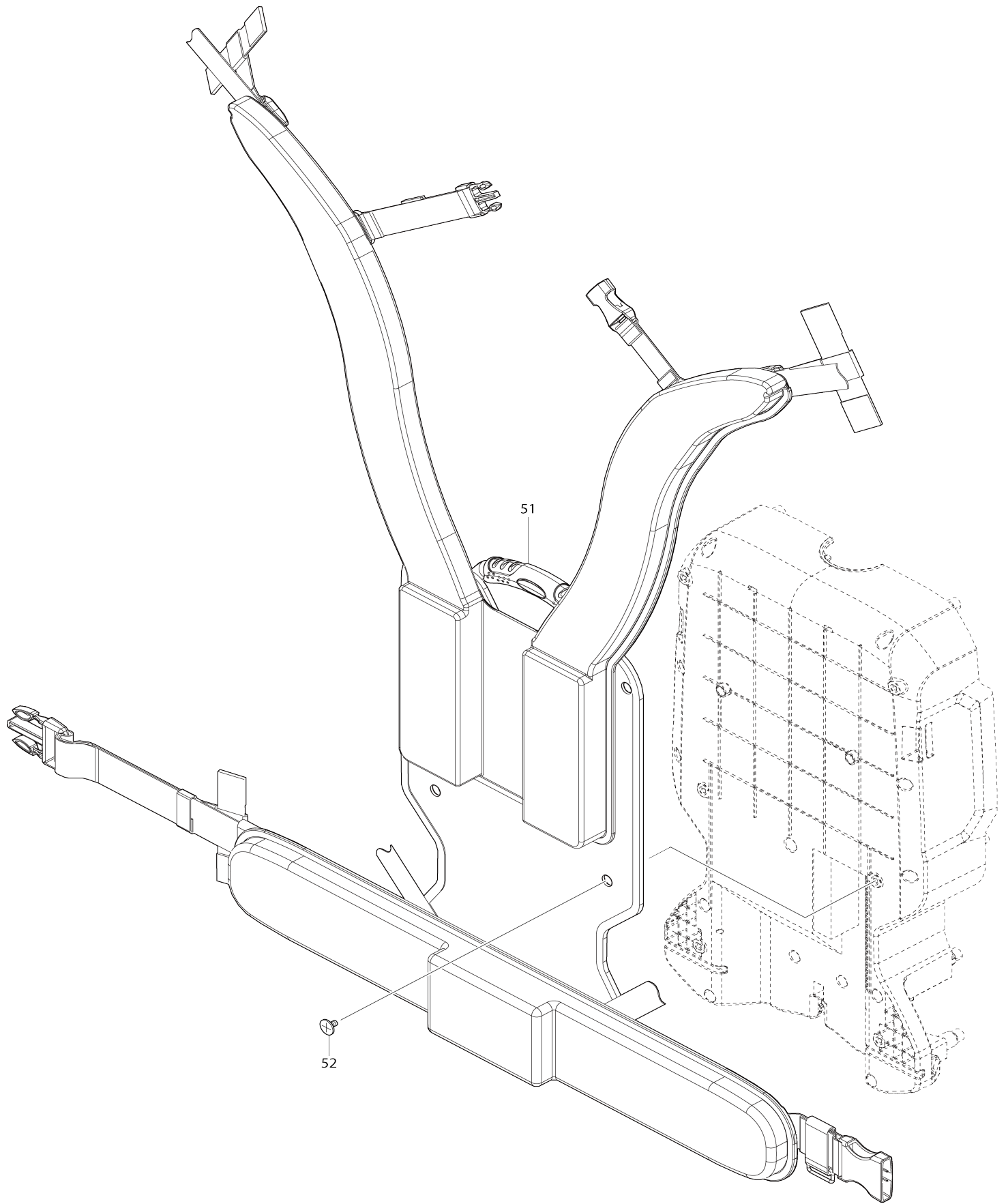


# Model No.DVC665 DC BACKPACK VACUUM CLEANER



Model No.DVC665 DC BACKPACK VACUUM CLEANER



**Model No.DVC665 DC BACKPACK VACUUM CLEANER**

Obj. č.	Obj. č.	Popis	Možnost záměny	Množství	Nový/Stary	Poznámka 1	Poznámka 2
001	140P98-2	DUST BOX COVER COMPLETE		1		kryt	
C10	422536-3	SEAL A		1			
002	123586-8	LATCH ASSEMBLY		1		spona DVC260 DVC261 DVC265	
003	140P92-4	UPPER HOUSING COMPLETE		1		obal	
C10	422534-7	BAND DAMPER D		1			
C20	422550-9	BAND DAMPER A		1			
004	232389-0	COMPRESSION SPRING 5		1			
005	412268-0	STOPPER PLATE		1		deska	
006	135771-1	INLET ASS'Y		1			
006		INC. 7					
007	213655-4	o-kroužek 56		1		o-krou	
008	191D12-9	MAIN FILTER H SET		1		filtr sada	
009	232588-4	COMPRESSION SPRING 6		1		pru	
010	140P99-0	LEVER 100 COMPLETE		1		p	
011	459913-6	PLATE		1		deska	
012	234141-2	COMPRESSION SPRING 12		2			
013	232267-4	LEAF SPRING		2			
014	687051-6	svorka kabelu - nahrazuje 261041		1		svorka kabelu - nahrazuje 261041	
015	687123-7	spona kabelu MT601		1			
016	266326-2	šroub 4x18=new265995-6		2			
017	422376-9	SUPPORT RING		1		krou	
018	161804-6	FAN COVER		1			
019	252268-6	HEX. NUT M6		1			
020	322407-3	WASHER 6		1			
021	241851-4	větrák 94		1		v	
022	313062-2	FLANGE		1		p	
023	266326-2	šroub 4x18=new265995-6		3			
024	456736-3	FAN BASE		1		t	
025	619517-8	ROTOR		1	*	rotor DVC260 =old 619395-6	
025-1	619517-8	ROTOR	O	1		rotor DVC260 =old 619395-6	
026	629381-9	STATOR		1		stator	
027	183D13-1	MOTOR HOUSING SET		1		obal motoru DVC260 DVC261 DVC265	
027		INC. 28					
028	183D13-1	MOTOR HOUSING SET		1		obal motoru DVC260 DVC261 DVC265	
028		INC. 27					
029	266326-2	šroub 4x18=new265995-6		4			
030	687464-1	SUPPORT		1		mont	
031	620526-2	CONTROLLER B		1		regul	
032	266786-8	+ PAN HEAD TAPPING SCREW 2X10		4			
033	422370-1	BAND DAMPER C		1		popruh	
034	424837-5	SUPPORT A		1		podp	
035	620C53-7	CONTROLLER		1		ovl	
036	644809-6	TERMINAL		2		kontakt	

037	140P94-0	LOWER HOUSING COMPLETE		1		obal	
C10	422535-5	BAND DAMPER E		1			
C20	422551-7	BAND DAMPER B		1			
038	856K60-4	DVC665 NAME PLATE		1			
039	266326-2	šroub 4x18=new265995-6		13			
040	183K75-1	SWITCH CASE SET		1		pouzdro	
C10	818F55-5	SWITCH LABELA		1			
C20	818F56-3	SWITCH LABELB		1			
040		INC. 48					
041	140G18-2	CAP COMPLETE		1		v	
C10	213218-6	o kroužek		1	*	o krou	
C11	213A05-9	O-RING16	O	1		o krou	
C20	818F57-1	CAP LABEL		1			
042	458714-9	SWITCH LEVER		1		p	
043	620943-6	SUB CONTROLLER		1		ovl	
044	632E26-0	SWITCH UNIT		1		vyp	
045	687123-7	spona kabelu MT601		1			
046	266326-2	šroub 4x18=new265995-6		2			
047	620949-4	SWITCH CIRCUIT		1		okruh vyp	
048	183K75-1	SWITCH CASE SET		1		pouzdro	
C10	818F55-5	SWITCH LABELA		1			
C20	818F56-3	SWITCH LABELB		1			
048		INC. 40					
049	266130-9	šroub PT 3X		4			
050	699137-4	POWER SUPPLY CORD UNIT		1	*	kabel	
050-1	699137-4	POWER SUPPLY CORD UNIT	O	1		kabel	
051	162750-6	HARNESS		1		popruhy	
052	265008-3	šroub M5 šestihran LS1013		6			
A01	152992-0	HOSE COMPLETE 28-1.5		1			
A02	166116-2	HOSE BAND		1			
A03	191C26-2	FILTER BAG SET		1			
A08	417765-1	adaptér 22 VC3210L =new 1955 47-8		1			
A09	424379-9	adaptér 24 VC3210L =new19554 6-0		1			
A12	198900-7	WIRELESS UNIT SET		1	*		
A12-1	198900-7	WIRELESS UNIT SET	<	1	*		
A12-2	198900-7	WIRELESS UNIT SET	<	1	*		
A12-3	198900-7	WIRELESS UNIT SET	O	1	*		
A12-4	198900-7	WIRELESS UNIT SET	<	1			
F10	192236-6	TAPERED NOZZLE SET		1			
F13	195545-2	adaptér		1			
F14	195546-0	FRONT CUFF 24 SET		1			
F15	195547-8	adaptér=old417765-1		1			
F16	195548-6	JOINT 22-38 SET		1			
F17	195549-4	T-NOZZLE ASSY A SET(DRY)38		1			
F18	195551-7	zemní hubice VC3210L		1			
F28	198184-7	F/C SWITCHING T-NOZZLE 38		1			
F32	198533-8	F/C SWITCHING T-NOZZLE 38 EU		1			
F33	198537-0	SHELF BRUSH SET28 IVO EU		1			
F34	191496-7	hadice		1		hadice 430mm na ak u vysdava	

F36	198552-4	ROUND BRUSH SET 28 IVO		1		
F39	198560-5	TELESCOPIC PIPE SET 28 EU		1		
F42	198868-7	FLEXIBLE HOSE SET28(WHI)		1		
F44	198873-4	SHELF BRUSH SET28 WHI		1		
F46	198878-4	ROUND BRUSH SET 28 WHI		1		
F48	198919-6	LONG SASH NOZZLE SET 28 WHI		1		
F51	198990-0	LONG SASH NOZZLE SET 28 BLU		1		
F53	198992-6	LONG SASH NOZZLE SET 28 BLK		1		
F55	199038-1	SEAT NOZZLE SET 28 WHI		1		
F56	199039-9	SEAT NOZZLE SET 28 BLK		1		
F58	199041-2	SEAT NOZZLE SET 28 BLU		1		
F63	199491-1	CYCLONE ATTACHMENT SET		1		
F65	199439-3	CREVICE NOZZLE 415 SET		1		
F78-2	198900-7	WIRELESS UNIT SET	<	1	*	
F78-3	198900-7	WIRELESS UNIT SET	O	1	*	
F78-4	198900-7	WIRELESS UNIT SET	<	1		
F82	191E30-3	FLEXIBLE HOSE SET(LOCK)		1		
F84	191D80-2	STRAIGHT PIPE SET 320		1		
F86	191M77-5	JOINT A 32 SET		1		
F87	191M78-3	JOINT B 35 SET		1		
F88	191M79-1	JOINT C 38 SET		1		
F89	191Y84-0	DUST BAG SET		1		
G09	1912G4-5	TELESCOPIC PIPE COMPLETE SET		1		
G10	1912G5-3	BENT PIPE COMPLETE SET		1		

Prosím uveďte objednáací číslo dílu v objednávce

Datum tisku 24. 10. 2024