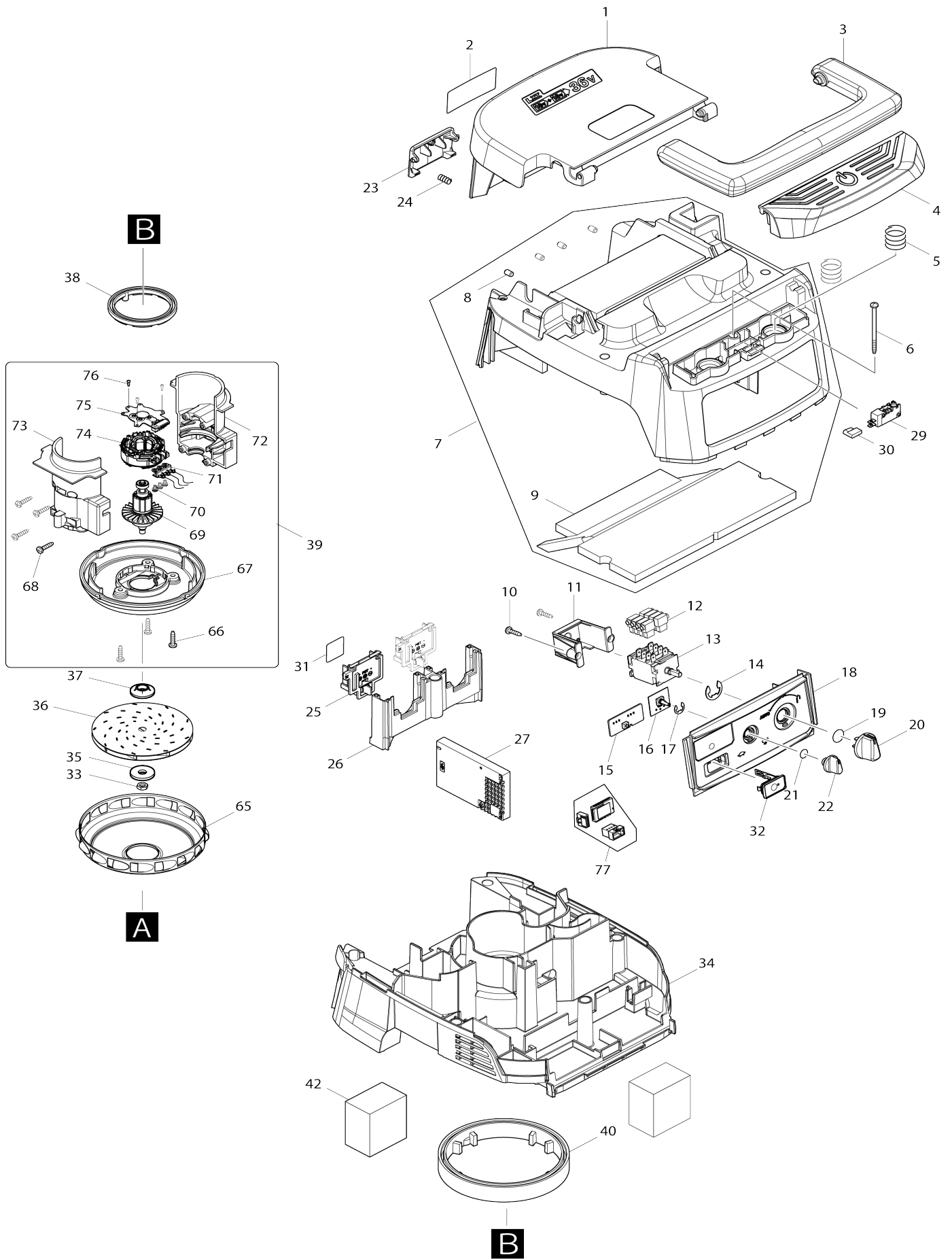
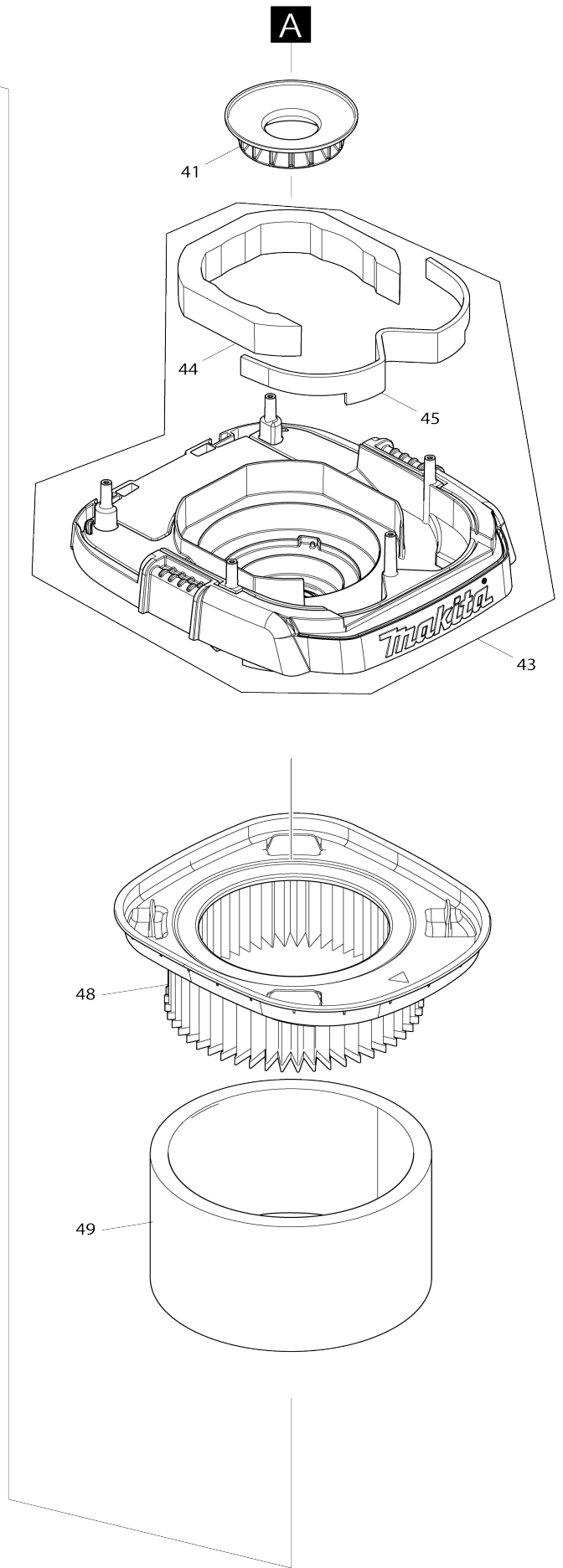
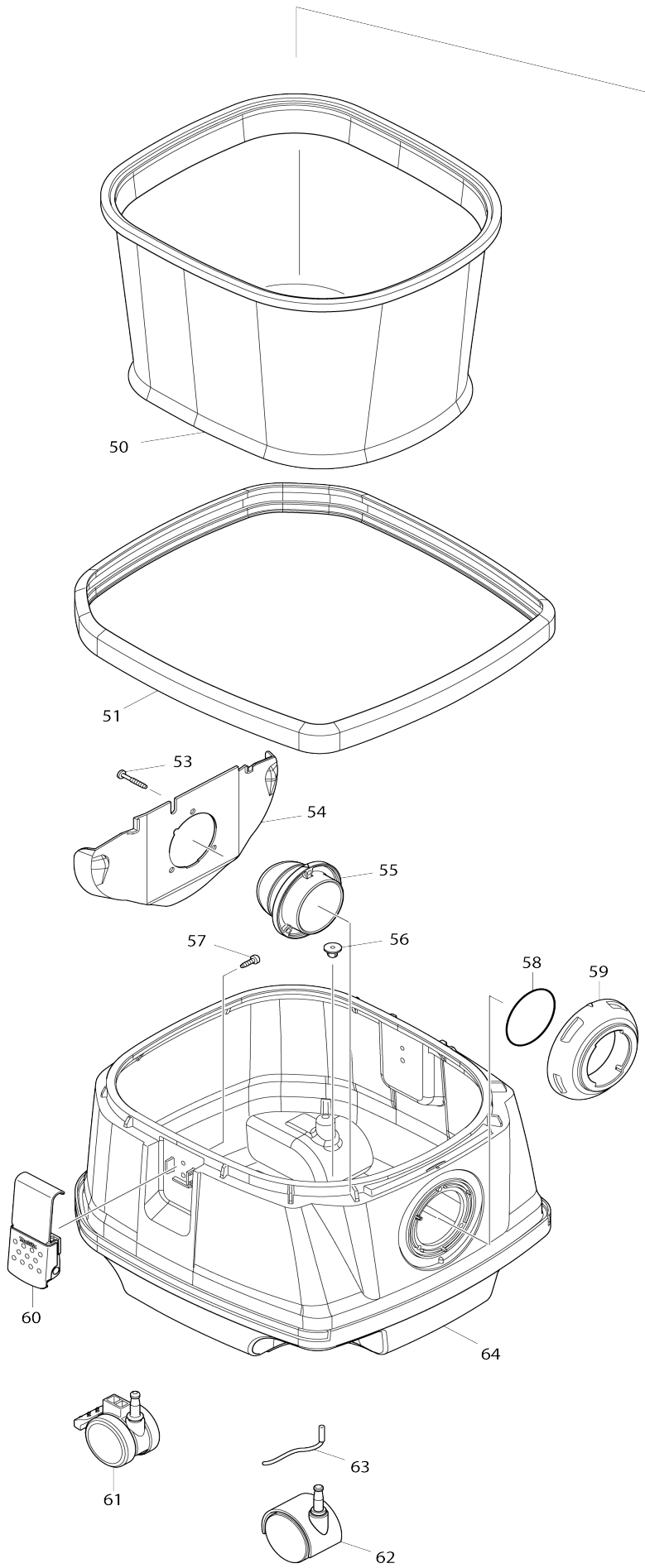


# Model No.DVC867L CORDLESS VACUUM CLEANER



# Model No.DVC867L CORDLESS VACUUM CLEANER



**Model No.DVC867L CORDLESS VACUUM CLEANER**

Obj. č.	Obj. č.	Popis	Možn ost zá měny	Množ ství	Nový/ Starý	Poznámka 1	Poznámka 2
001	144486-9	BATTERY COVER COMPLETE		1			
C10	891977-8	CAUTION LABEL		1			
002	857B49-1	DVC867L NAME PLATE		1			
003	455734-4	GRIP		1			
004	459262-1	SWITCH BUTTON		1			
005	234273-5	COMPRESSION SPRING 20		2		pru	
006	266340-8	TAPPING SCREW 4X65		6			
007	144973-8	COWLING COMPLETE		1		kryt	
007		INC. 8,9					
008	263005-3	vymezovací čep 6		4			
009	424688-6	TOP DAMPER		1			
010	266326-2	šroub 4x18=new265995-6		2			
011	451343-7	SWITCH HOLDER		1		dr	
012	686023-8	RECEPTACLE SLEEVE		8		pouzdro DVC86_/15_	
013	651098-6	SWITCH 1703.4801		1		vyp	
014	961062-2	STOP RING E-12		1		pru	
015	620D40-2	LED CIRCUIT		1		okruh	
016	620D39-7	SUB CONTROLLER		1		ovl	
017	961013-5	zajišťovací kroužek		1		zaji	
018	140T97-8	SWITCH BASE COMPLETE		1		vyp	
C10	812D41-6	INDICATION LABEL		1			
019	213176-6	o kroužek		1		o krou	
020	455733-6	SWITCH LEVER		1			
021	213054-0	o-kroužek 9		1		o-krou	
022	451344-5	SWITCH DIAL		1			
023	455728-9	BATTERY COVER HOOK		1			
024	231240-1	vinutá pružina 7		1		vinut	
025	644808-8	TERMINAL		2		terminal	
026	455729-7	TERMINAL BASE		1			
027	620D20-8	CONTROLLER		1		ovl	
029	651910-0	SWITCH D2VW-01-3HS		1		vyp	
030	686039-3	RECEPTACLE SLEEVE		1			
031	857B56-4	DVC867L SERIAL NO. LABEL		1			
032	140G18-2	CAP COMPLETE		1		v	
C10	213218-6	o kroužek		1	*	o krou	
C11	213A05-9	O-RING16	O	1		o krou	
C20	818F57-1	CAP LABEL		1			
033	252268-6	HEX. NUT M6		1			
034	412581-6	SEPARATOR		1		odd	
035	253752-4	042086		1		042086	
036	240178-9	FAN 104		1		ventil	
037	313062-2	FLANGE		1		p	
038	424685-2	RUBBER RING 60		1		krou	
039	127653-1	MOTOR ASSEMBLY		1		motor	
039		INC. 66-76					
040	424686-0	RUBBER RING 120		1			
041	422590-7	SUPPORT RING		1		pouzdro	
042	424690-9	REAR BLOCK FILTER		2			

043	143175-3	TANK COVER COMPLETE		1		
043		INC. 44,45				
044	424691-7	BAND DAMPER		1		
045	424689-4	FRONT DAMPER		1		
048	197166-6	POWDER FILTER H SET		1		
049	423398-2	DAMPER		1		
050	140253-0	PRE-FILTER COMPLETE		1		
051	422148-2	BUMPER		1		
053	266257-5	šroub 4x28		3		
054	419351-4	HOLDER PLATE		1		
055	419350-6	HOLDER		1		
056	421468-1	CORD SEAL		1		
057	266192-7	šroub 4 X 14		4		
058	213655-4	o-kroužek 56		1	o-krou	
059	451348-7	INLET		1		
060	168537-4	háček		2	h	
061	168535-8	CASTER 50		2	kolo	
062	168434-4	CASTER 50		2	v	
063	649150-2	EARTH LINE 120		1		
064	457623-9	TANK		1		
065	347171-5	FAN COVER		1		
066	266326-2	šroub 4x18=new265995-6		3		
067	457486-3	FAN BASE		1		
068	266326-2	šroub 4x18=new265995-6		4		
069	619431-8	ROTOR		1		
070	652069-6	FLAT HEAD SCREW M3X6		3		
071	632J83-8	LEAD UNIT		1		
072	183F90-5	MOTOR HOUSING SET		1		
072		INC. 73				
073	183F90-5	MOTOR HOUSING SET		1		
073		INC. 72				
074	629491-2	STATOR		1	stator	
075	620D38-9	CONTROLLER B		1	ovl	
076	266490-9	TAPPING SCREW PT 2X6		3		
077	620D41-0	SUB CONTROLLER		1	ovl	
A01	195433-3	hadice 28-3.5 Set VC3210L		1		
C10	417191-4	CUFF LOCK		1		
C20	417586-1	STOPPER		1		
C30	417662-1	SLEEVE		1		
C40	417766-9	FRONT CUFF 38		1		
A01		INC. A03,A04				
A02	195432-5	POLY BAG SET(650X650)		1		
A03	417765-1	adaptér 22 VC3210L =new 1955 47-8		1		
A04	424379-9	adaptér 24 VC3210L =new19554 6-0		1		
A06	195434-1	hadice 38/3500mm VC3210L		1		
C10	417191-4	CUFF LOCK		1		
C20	417306-3	SLEEVE		2		
C30	417307-1	FRONT CUFF		1		
C40	417586-1	STOPPER		2		
A07	199455-5	NOZZLE ASSEMBLY SET		1		

A08	192563-1	rovná trubka VC3210L		1		
A09	192562-3	zahnutá trubka VC3210L		1		
A10	410306-2	štěrbínová hubice VC3210L		1		
A11	451350-0	uzávěr VC3210L		1		
A13	198900-7	WIRELESS UNIT SET		1	*	
A13-1	198900-7	WIRELESS UNIT SET	<	1	*	
A13-2	198900-7	WIRELESS UNIT SET	<	1	*	
A13-3	198900-7	WIRELESS UNIT SET	O	1	*	
A13-4	198900-7	WIRELESS UNIT SET	<	1		
A14	911138-5	P.H.SCREW M4X20 WITH WR		1		
A15	127606-0	TOOL BOX ASSEMBLY		1		
C10	451410-8	ROLLER		2		
C20	268208-4	PIN 3		2		
C30	266326-2	šroub 4x18=new265995-6		4		
E01	891978-6	CAUTION LABEL		1		
F22	191E30-3	FLEXIBLE HOSE SET(LOCK)		1		
F26	191G87-6	NOZZLE ASSEMBLY SET		1		
F27	191G89-2	TELESCOPIC PIPE SET		1		
F30	192236-6	TAPERED NOZZLE SET		1		
F40	195435-9	HOSE COMPLETE 38-5 SET		1		
F41	195436-7	HOSE COMPLETE 28-5 SET		1		
F42	195437-5	HOSE COMPLETE 28-2.5 SET		1		
F44	195544-4	držák kabelu VC3210L		1		
F45	195545-2	adaptér		1		
F46	195546-0	FRONT CUFF 24 SET		1		
F47	195547-8	adaptér=old417765-1		1		
F48	195548-6	JOINT 22-38 SET		1		
F49	195549-4	T-NOZZLE ASSY A SET(DRY)38		1		
F51	195551-7	zemní hubice VC3210L		1		
F52	195552-5	DAMPER SET		1		
F53	195553-3	PRE-FILTER SET		1		
F55	195557-5	FILTER BAG SET 15L(5PCS)		1	*	
F55-1	1912R3-4	FILTER BAG SET	O	1		
F56	195637-7	HOLDER,CUFF SET		1		
F59	197323-6	HOSE STAND SET		1		
F62	198184-7	F/C SWITCHING T-NOZZLE 38		1		
F66	198529-9	FLOOR/CARPET T-NOZZLE BLK E U		1		
F68	198533-8	F/C SWITCHING T-NOZZLE 38 EU		1		
F69	198540-1	SHELF BRUSH SET28 BLK EU		1		
F70	198555-8	ROUND BRUSH SET 28 BLK EU		1		
F72	198560-5	TELESCOPIC PIPE SET 28 EU		1		
F74	198873-4	SHELF BRUSH SET28 WHI		1		
F75	198878-4	ROUND BRUSH SET 28 WHI		1		
F76	198919-6	LONG SASH NOZZLE SET 28 WHI		1		
F77	198992-6	LONG SASH NOZZLE SET 28 BLK		1		
F78	199038-1	SEAT NOZZLE SET 28 WHI		1		
F79	199039-9	SEAT NOZZLE SET 28 BLK		1		
F81	199439-3	CREVICE NOZZLE 415 SET		1		
G04	191M77-5	JOINT A 32 SET		1		
G05	191M78-3	JOINT B 35 SET		1		
G06	191M79-1	JOINT C 38 SET		1		

G09	1912G4-5	TELESCOPIC PIPE COMPLETE SET		1			
G10	1912G5-3	BENT PIPE COMPLETE SET		1			
G11	413R35-4	STOPPER		1			

Prosím uveďte objednáací číslo dílu v objednávce

Datum tisku 24. 10. 2024