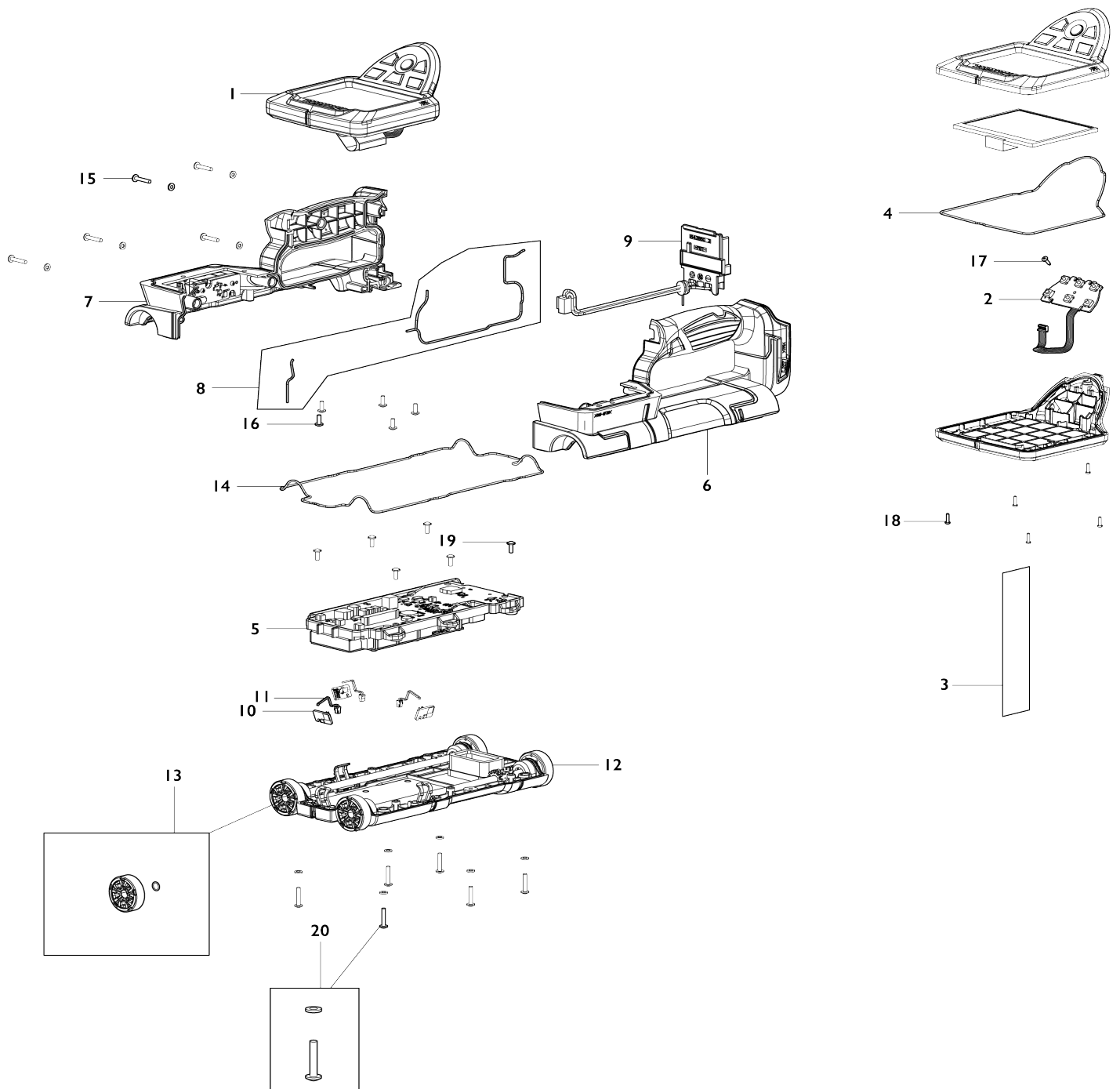


Model No.DWD181 RECHARGEABLE WALL SCANNER



Model No.DWD181 RECHARGEABLE WALL SCANNER

Obj. č.	Obj. č.	Popis	Možn ost zá měny	Množ ství	Nový/ Starý	Poznámka 1	Poznámka 2
001	RN56427052	LCD ASSEMBLY		1		LCD	
002	RN28907880	SWITCH ASSEMBLY		1		vyp	
003	RN28907898	FFC		1		FFC	
004	RN28907901	PACKING A		1		obal	
005	RN28907928	SENSOR ASSEMBLY		1		sensor	
006	RN28907944	CASE L ASSEMBLY		1		obal	
007	RN28907960	CASE R ASSEMBLY		1		obal	
008	RN28907979	PACKING B/C SET		1		obal	
009	RN28907995	TERMINAL ASSEMBLY		1		vstup	
010	RN28908002	PCB,LED		3		PCB LED	
011	RN28908010	HARNESS SET,LED		3		LED	
012	RN28908029	LOWER CASE ASSEMBLY		1		obal	
013	RN28908037	WHEEL SET(4PCS.)		1		kole	
014	RN28908045	PACKING D		1		obal	
015	RN28908053	TAPPING SCREW M3X16		5			
016	RN28908061	TAPPING SCREW 3X8		5			
017	RN28929964	TAPPING SCREW 2.3X8		1			
018	RN28929964	TAPPING SCREW 2.3X8		5			
019	RN28908061	TAPPING SCREW 3X8		6			
020	RN28908053	TAPPING SCREW M3X16		6			
A01	821550-0	systainer Makpac 395x295x157 mm		1			
C10	453974-8	LATCH		4		spona Makpacu	
A02	RN32741155	INNER TRAY		1			
A03	RN56427060	FRONT LABEL		1			
A04	RN56427079	SIDE LABEL		1			
E01	RN56427095	DWD181 NAME PLATE		1			
E02	RN56427125	DWD181 SERIAL NO. LABEL		1	*		
E02-1	RN56427125	DWD181 SERIAL NO. LABEL	<	1			

Prosím uveďte objednáčíslo dílu v objednávce

Datum tisku 24. 10. 2024