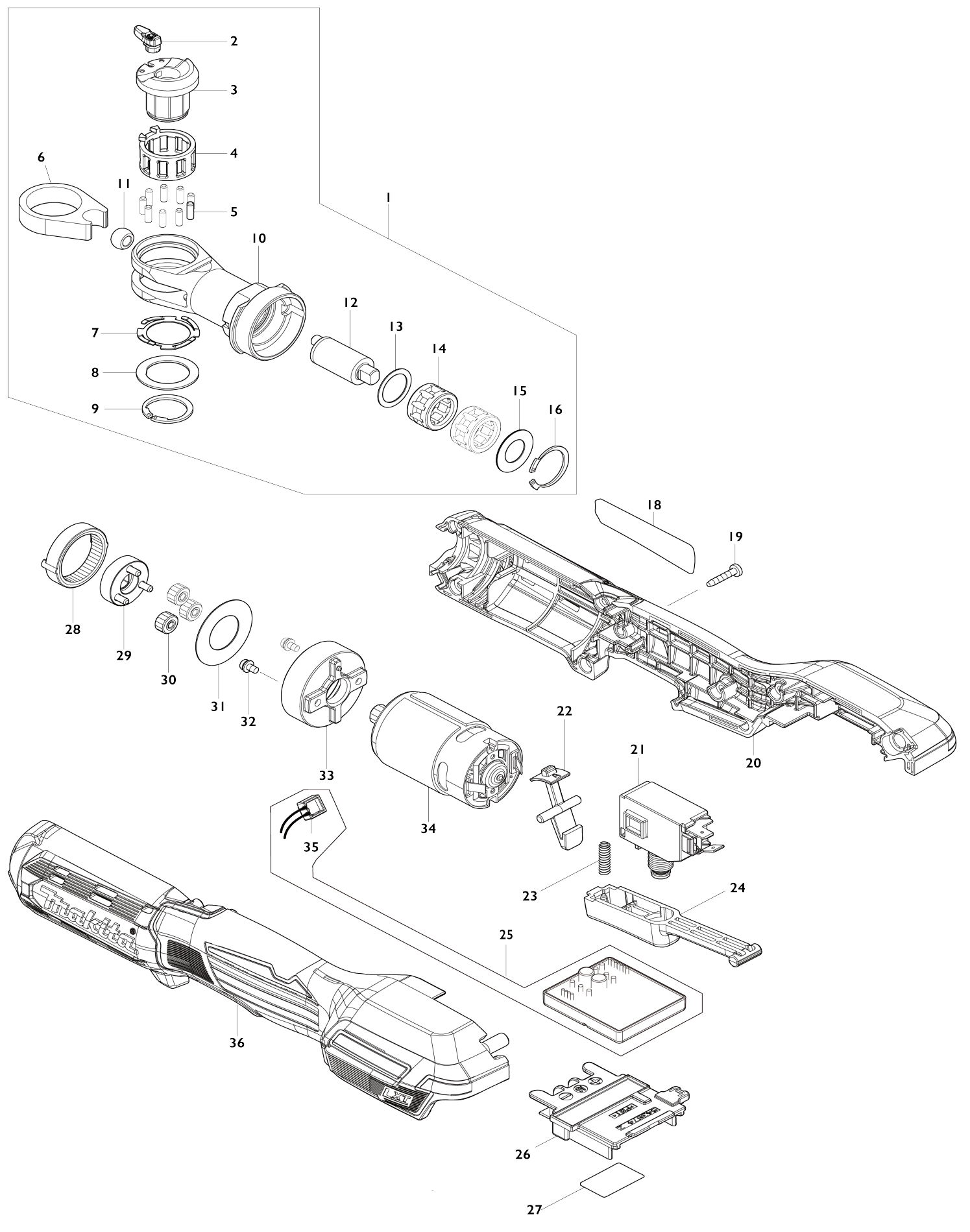


Model No.DWR180 CORDLESS RATCHET WRENCH



Model No.DWR180 CORDLESS RATCHET WRENCH

Obj. č.	Obj. č.	Popis	Možn ost zá měny	Množ ství	Nový/ Starý	Poznámka 1	Poznámka 2
001	127297-7	HEAD ASSEMBLY		1	*	hlava WR100D=new1 22H00-9	
001		INC. 2-16			*		
001-1	127297-7	HEAD ASSEMBLY	O	1	*	hlava WR100D=new1 22H00-9	
001-2	127297-7	HEAD ASSEMBLY	O	1	*	hlava WR100D=new1 22H00-9	
001-2		INC.2, 7-9			*		
001-3	122H00-9	HEAD ASSEMBLY	<	1		hlava WR100D=old12 7297-7	
001-3		INC.2, 7-9					
002	140K70-4	LEVER COMPLETE		1	*		
002-1	140K70-4	LEVER COMPLETE		1			
003	327360-8	ANVIL		1	*		
004	310954-6	RETAINER RING		1	*		
005	256963-0	PIN 3		9	*		
006	327357-7	RATCHET RING		1	*		
007	232531-3	LEAF SPRING		1	*		
007-1	232531-3	LEAF SPRING		1			
008	253440-3	FLAT WASHER 19		1	*		
008-1	253440-3	FLAT WASHER 19		1			
009	961078-7	segrovka S-18 BHR200/JR303		1	*	segrovka S-18 BHR20 0/JR303	
009-1	961078-7	segrovka S-18 BHR200/JR303		1		segrovka S-18 BHR20 0/JR303	
010	327356-9	RATCHET HEAD		1	*		
011	327359-3	BUSH		1	*		
012	327358-5	SPINDLE		1	*		
013	253450-0	FLAT WASHER 15		1	*		
014	212228-0	NEEDLE CAGE 1412		2	*		
015	253449-5	FLAT WASHER 12		1	*		
016	962112-6	pojistný kroužek R-22 BFL080F-B FL200F		1	*	pojistn	
018	857Y46-5	DWR180 NAME PLATE		1			
019	266429-2	TAPPING SCREW 3X16		7			
020	183R89-2	HOUSING SET		1		obal	
C10	263005-3	vymezovací čep 6		2			
020		INC. 36					
021	651391-8	SWITCH C3JW-6BM-PN		1		vyp	
022	459422-5	LOCK LEVER		1		p	
023	232353-1	COMPRESSION SPRING 4		1			
024	459421-7	SWITCH LEVER		1		p	
025	620E21-2	CONTROLLER		1		ovl	
025		INC. 35					
026	643874-2	TERMINAL		1		kontakt	
027	857Y53-8	DWR180 SERIAL NO. LABEL		1			
028	226897-1	INTERNAL GEAR 41		1		kolo 41	
029	140K71-2	CARRIER COMPLETE		1		ozuben	
030	226898-9	SPUR GEAR 14		3		kolo 14	
031	267235-8	podložka 6953		1		podlo	

032	265A38-0	P.H.SCREW M3X6 WITH WR		2		
033	310953-8	INTERNAL GEAR CASE		1		obal
034	629A30-4	DC MOTOR		1		motor
035	620B10-9	LED CIRCUIT		1		LED okruh WR100D
036	183R89-2	HOUSING SET		1		obal
C10	263005-3	vymezovací čep 6		2		
036		INC. 20				
A01	191A50-3	SOCKET ADAPTOR 9.5 SET		1		
C10	231952-6	RING SPRING 12		1	*	krou
A02	191A51-1	SOCKET ADAPTOR 6.35 SET		1		
C10	231952-6	RING SPRING 12		1	*	krou
A03	***DC18RC	DC18RC FAST CHARGER		1		
A03		COMPO-PARTS				
A04	450128-8	kryt baterie		1		
A05	197254-9	BATTERY BL1820B SET		1		
A06	832074-1	TOOL BAG		1		

Prosím uveďte objednáčíslo dílu v objednávce

Datum tisku 24. 10. 2024