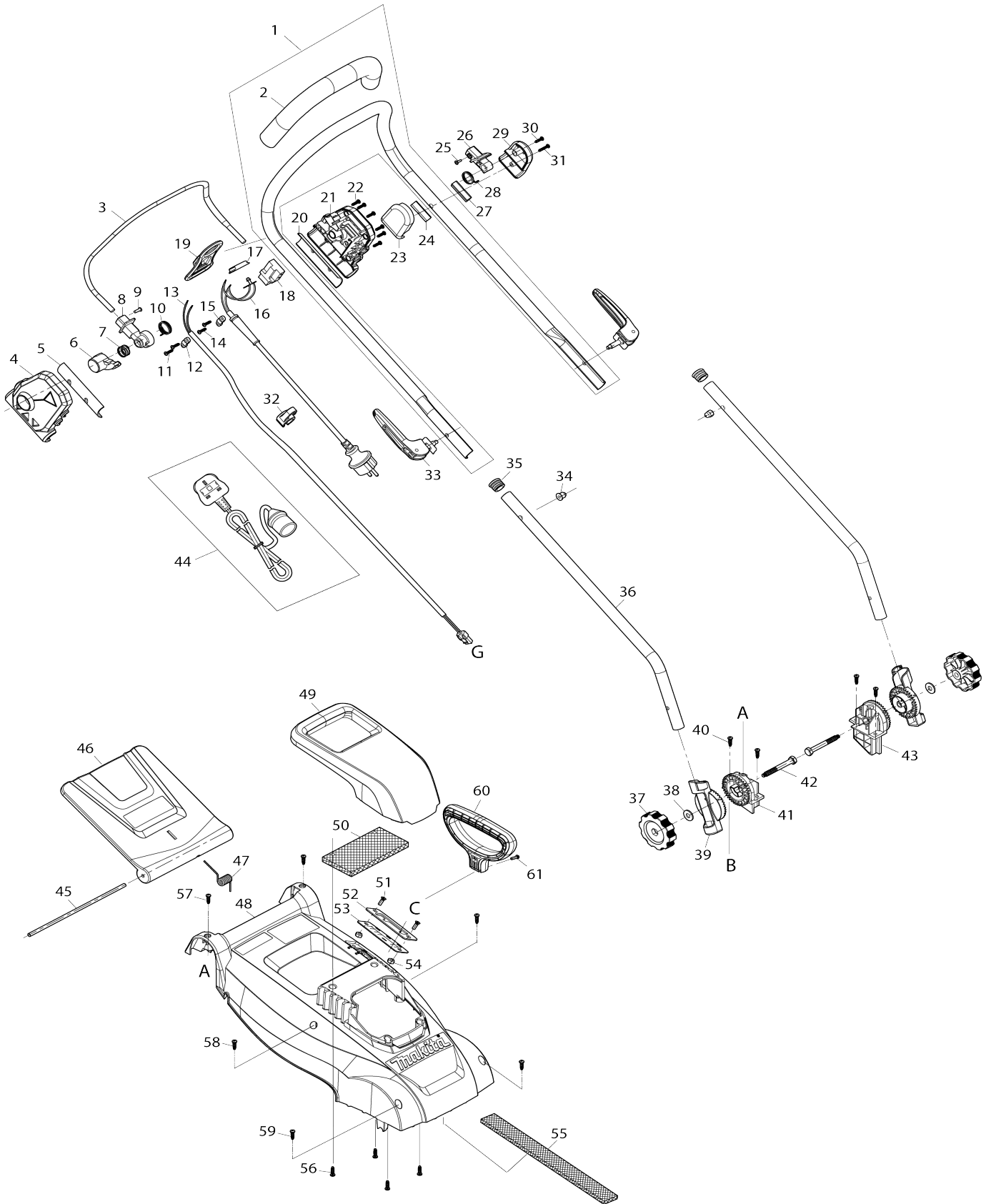
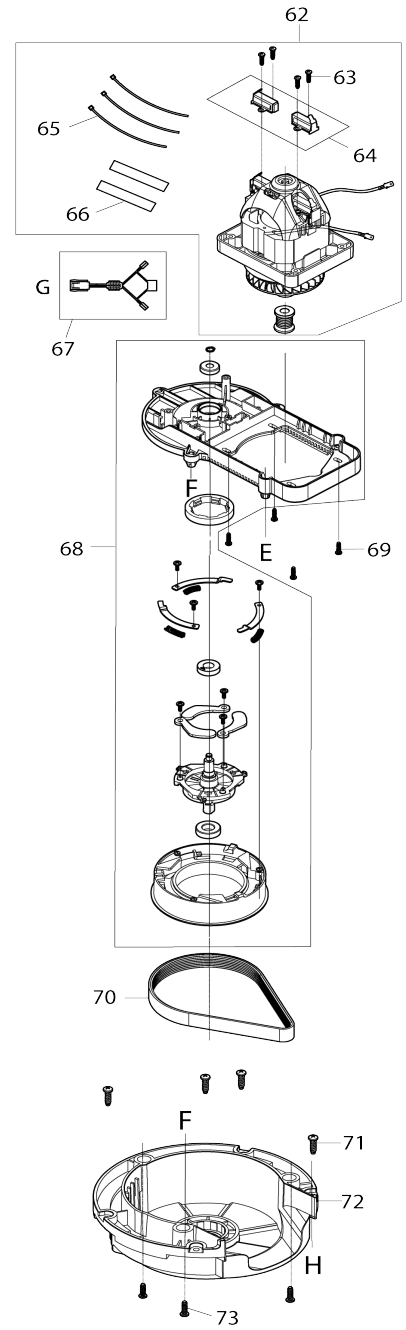
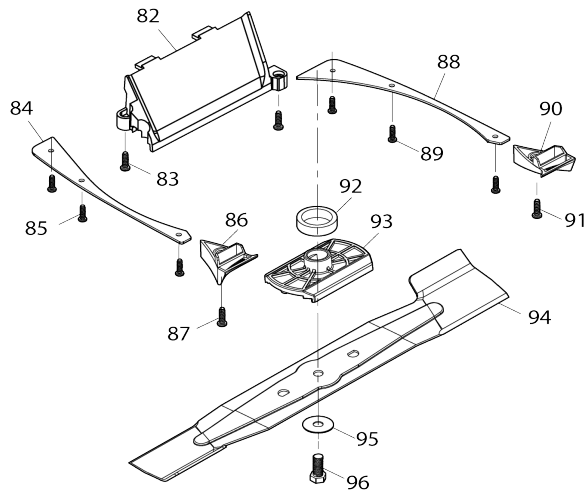
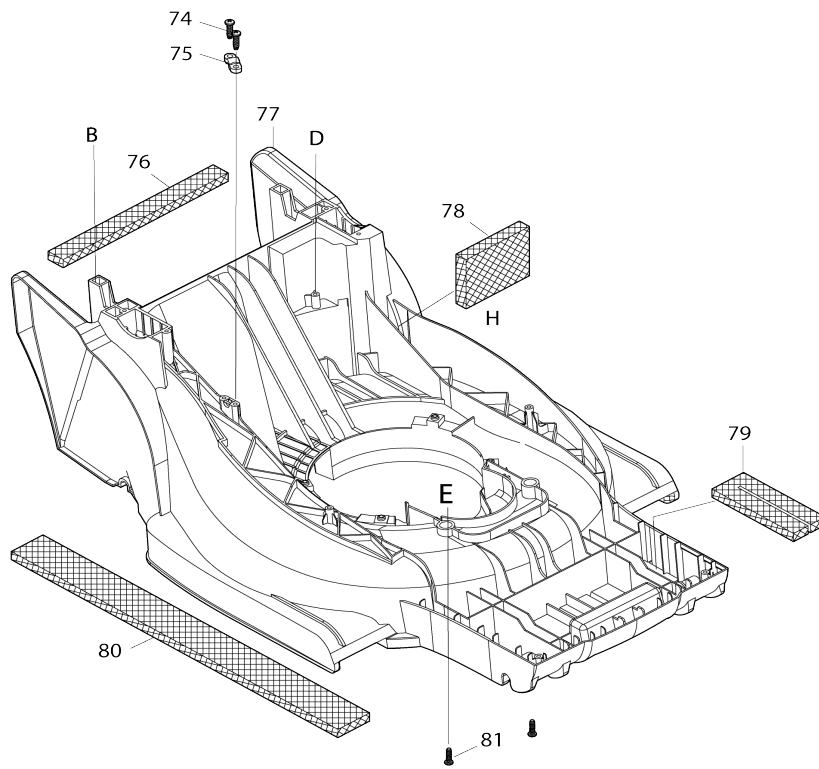


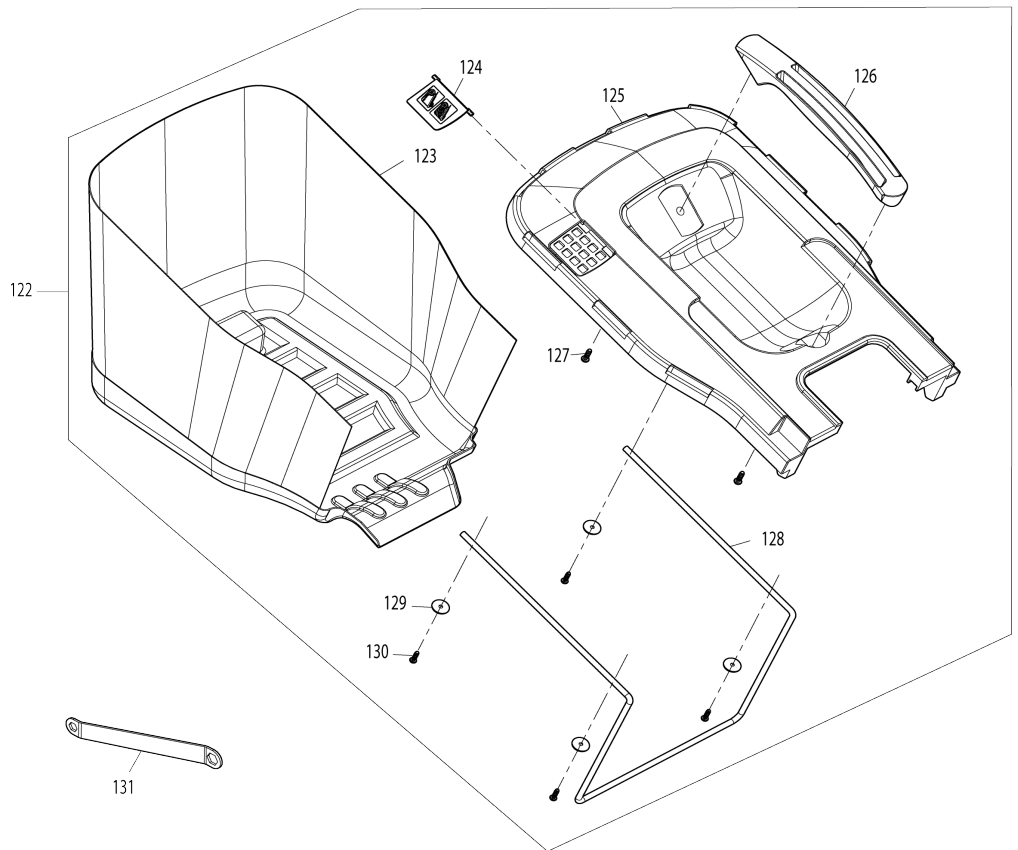
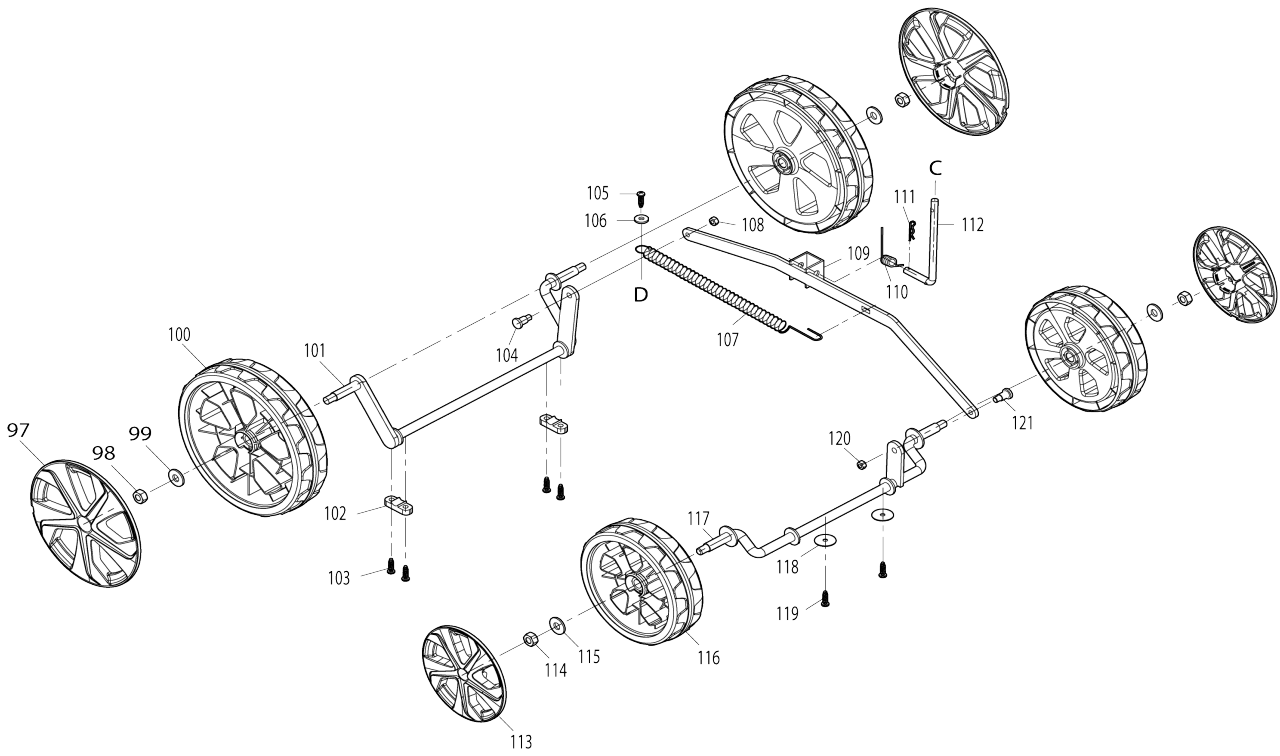
Model No.ELM3720 370MM ELECTRIC LAWN MOWER



Model No.ELM3720 370MM ELECTRIC LAWN MOWER



Model No.ELM3720 370MM ELECTRIC LAWN MOWER



Model No.ELM3720 370MM ELECTRIC LAWN MOWER

Obj. č.	Obj. č.	Popis	Možn ost zá měny	Množ ství	Nový/ Starý	Poznámka 1	Poznámka 2
001	YA00000866	UPPER HANDLE BAR ASSY		1			
001		INC. 2					
002	YA00001175	SPONGE GRIP		1			
003	YA00000867	SWITCH LEVER		1			
004	YA00000765	SWITCH BOX RIGHT		1			
005	YA00000786	SWITCH BOX CLAMP SPASER		1			
006	YA00000766	SWITCH LINK BUTTON		1			
007	YA00000767	COMPRESSION SPRING 16.8		1			
008	YA00000768	SWITCH LEVER END CAP RIGHT		1		dr	
009	652024721	SELF DRILLING SCREW 3.5X10		1			
010	YA00000769	SWITCH TORSION SPRING 21		1			
011	YA00000778	SELF TAPPING SCREW ST4X16		2			
012	YA00000780	CORD CLAMP		1			
013	YA00000771	POWER SUPPLY CORD ASSY		1		kabel	
014	YA00000778	SELF TAPPING SCREW ST4X16		2			
015	YA00000780	CORD CLAMP		1			
016	YA00000773	POWER SUPPLY CORD ASSY (EUR O)		1		kabel	
017	YA00000781	INDICATOR LENZ		1			
018	YA00000772	SWITCH		1		vyp	
019	652023811	CABLE HANGER		1		dr	
020	YA00000786	SWITCH BOX CLAMP SPASER		1			
021	YA00000782	SWITCH BOX LEFT		1			
022	YA00000778	SELF TAPPING SCREW ST4X16		6			
023	652023795	SPRING BOX RIGHT		1			
024	YA00000787	LEVER BOX CLAMP SPASER		1			
025	652024721	SELF DRILLING SCREW 3.5X10		1			
026	652023794	SWITCH LEVER END LEFT		1			
027	YA00000737	TORSION SPRING		1			
028	YA00000787	LEVER BOX CLAMP SPASER		1			
029	652023793	SPRING BOX LEFT		1			
030	YA00000778	SELF TAPPING SCREW ST4X16		1			
031	YA00000785	SELF TAPPING SCREW ST4X25		1			
032	YA00000799	CABLE CLIP		1			
033	YA00000801	TENSION LEVER ASSY		2		pru	
034	YA00000802	HEX.FRANGE CAP NUT M6		2		matka	
035	YA00001166	PIPE END CAP		2			
036	YA00001167	LOWER HANDLE		2			
037	YA00000803	M8 KNOB		2		matka	
038	YA00000420	WASHER		2		podlo	
039	YA00000804	ANGLE ADJUSTMENT JOINT UPPE R		2			
040	YA00000806	SELF TAPPING SCREW ST5X20		4			
041	YA00000875	ANGLE ADJUSTMENT JOINT LOW ER R		1		plastov	
042	YA00000807	HEX BOLT M8X65		2			
043	YA00000876	ANGLE ADJUSTMENT JOINT LOW ER L		1		plastov	
045	YA00000894	REAR FLAP HINGE ROD		1			

046	YA00000895	REAR FLAP BULE		1		
047	YA00000831	REAR FLAP TORSION SPRING 7.7		1		
048	YA00000901	HOUSING ASSY BULE		1		
049	YA00000897	TOP COVER		1		
050	YA00000398	SUNK SCREW 5*14		2	*	
050-1	YA00000841	SPONGE CUSHION	X	1		
051	YA00000898	HEIGHT ADJUSTER STOP PLATE		1	*	
051-1	YA00000398	SUNK SCREW 5*14	X	2		
052	YA00000899	STOP PLATE RUBBER SHEET		1	*	
052-1	YA00000898	HEIGHT ADJUSTER STOP PLATE	X	1		
053	YA00000837	NYLON INSERT HEX LOCK NUT M 5		2	*	
053-1	YA00000899	STOP PLATE RUBBER SHEET	X	1		
054	YA00000841	SPONGE CUSHION		1	*	
054-1	YA00000837	NYLON INSERT HEX LOCK NUT M 5	X	2		
055	YA00000840	SPONGE CUSHION		1		
056	YA00000820	SELF TAPPING SCREW ST5X16		4		
057	YA00000821	SELF TAPPING SCREW ST4X16		2		
058	YA00000821	SELF TAPPING SCREW ST4X16		2		
059	YA00000821	SELF TAPPING SCREW ST4X16		2		
060	YA00000848	HIGHT ADJUST GRIP		1		dr
061	YA00000849	PAN HEAD SCREW M4X10		1		
062	YA00001176	MOTOR ASSY (230V)		1		motor ELM3720 ELM 4120 EM371 EM410
062		INC. 63-66				
063	YA00000813	SELF TAPPING SCREW ST4X10		4		
064	YA00000814	CARBON BRUSH 2PICS SET		1		uhl
065	YA00001174	CABLE TIE		3		
066	YA00001173	HEAT SHRINKABLE TUBE		2		
067	YA00001181	LEAD WIRE SET		1		kabel ELM3720 ELM4 120 ELM4121
068	YA00001178	MOTOR FLAME & PULLEY ASSY		1		ulo
069	YA00000806	SELF TAPPING SCREW ST5X20		4		
070	YA00001180	RIBBED BELT		1		
071	YA00000806	SELF TAPPING SCREW ST5X20		4		
072	YA00001179	BELT COVER		1		kryt
073	YA00000806	SELF TAPPING SCREW ST5X20		3		
074	YA00000821	SELF TAPPING SCREW ST4X16		2		
075	YA00000780	CORD CLAMP		1		
076	YA00000884	SPONGE CUSHION		1		
077	YA00000881	DECK		1		kryt ELM3720 EM371
078	YA00000882	SPONGE CUSHION		1		
079	YA00000883	SPONGE CUSHION		1		
080	YA00000885	SPONGE CUSHION		1		
081	YA00000806	SELF TAPPING SCREW ST5X20		2		
082	YA00000887	GRASS INTAKE UNDER PLATE		1		kl
083	YA00000820	SELF TAPPING SCREW ST5X16		2		
084	YA00000888	UNDER BRACE RIGHT		1		
085	YA00000820	SELF TAPPING SCREW ST5X16		3		
086	YA00000889	AIR INTAKE BOARD RIGHT		1		
087	YA00000820	SELF TAPPING SCREW ST5X16		1		
088	YA00000904	UNDER BRACE LEFT		1		

089	YA00000820	SELF TAPPING SCREW ST5X16		3			
090	YA00000905	AIR INTAKE BOARD LEFT		1			
091	YA00000820	SELF TAPPING SCREW ST5X16		1			
092	YA00000910	SPEASER RING 16		1		podlo	
093	YA00000890	BLADE SUPPORT		1		una	
094	YA00000732	BLADE 37		1	*		
094-1	YA00000746	BLADE 370 SET	O	1			
095	YA00000891	CLAMP WASHER 8		1		podlo	
096	YA00000827	HEX. BOLT M8X25		1			
097	YA00000809	WHEEL CAP 6 INCH		2			
098	652023843	NYLON INSERT HEX. LOCK NUT M8		2		vlo	
099	YA00000420	WASHER		2		podlo	
100	YA00000810	WHEEL 7INCH		2			
101	YA00000812	REAR AXLE		1	*		
101-1	YA00000877	REAR AXLE	X	1			
102	YA00000811	AXLE RETAINER		2			
103	YA00000820	SELF TAPPING SCREW ST5X16		4			
104	YA00000843	STEPPED HEX BOLT M6X16		1			
105	YA00000820	SELF TAPPING SCREW ST5X16		1			
106	YA00000845	WASHER 5		1			
107	YA00000903	TENSION SPRING 11		1			
108	YA00000627	HEX LOCK NUT M6		1			
109	YA00000902	CONNECTING ROD		1			
110	YA00000907	TORSION SPRING 8		1			
111	YA00000851	R PIN 7		1			
112	YA00000906	HIGHT ADJUST LEVER		1		p	
113	YA00000853	WHEEL CAP 4.5 INCH		2		kryt kola	
114	652023843	NYLON INSERT HEX. LOCK NUT M8		2		vlo	
115	YA00000420	WASHER		2		podlo	
116	YA00000854	WHEEL 5.5INCH		2			
117	YA00000908	FRONT AXLE		1			
118	YA00000909	AXLE RETAINER WASHER		2			
119	YA00000820	SELF TAPPING SCREW ST5X16		2			
120	YA00000627	HEX LOCK NUT M6		1			
121	YA00000843	STEPPED HEX BOLT M6X16		1			
122	YA00000869	GRASS BOX ASSY(MAKITA)		1		ko	
122		INC. 123-130					
123	YA00000870	GRASS CATCH SIDE CLOSS SET M AK		1		pl	
124	YA00000791	GRASS CATCHER INDICATOR BLUE		1		klapka ko	
125	YA00000872	GRASS CATCHER UPPER BORAD		1			
126	YA00000795	GRIP		1		rukoje	
127	YA00000873	SELF TAPPING SCREW ST4X12		2			
128	YA00000874	GRASS CATCHER FRAME		1			
129	YA00000796	WASHER 4		4			
130	YA00000873	SELF TAPPING SCREW ST4X12		4			
131	YA00000798	SPANNER 10-13		1			

Prosím uveďte objednáčíslo dílu v objednávce

Datum tisku 24. 10. 2024