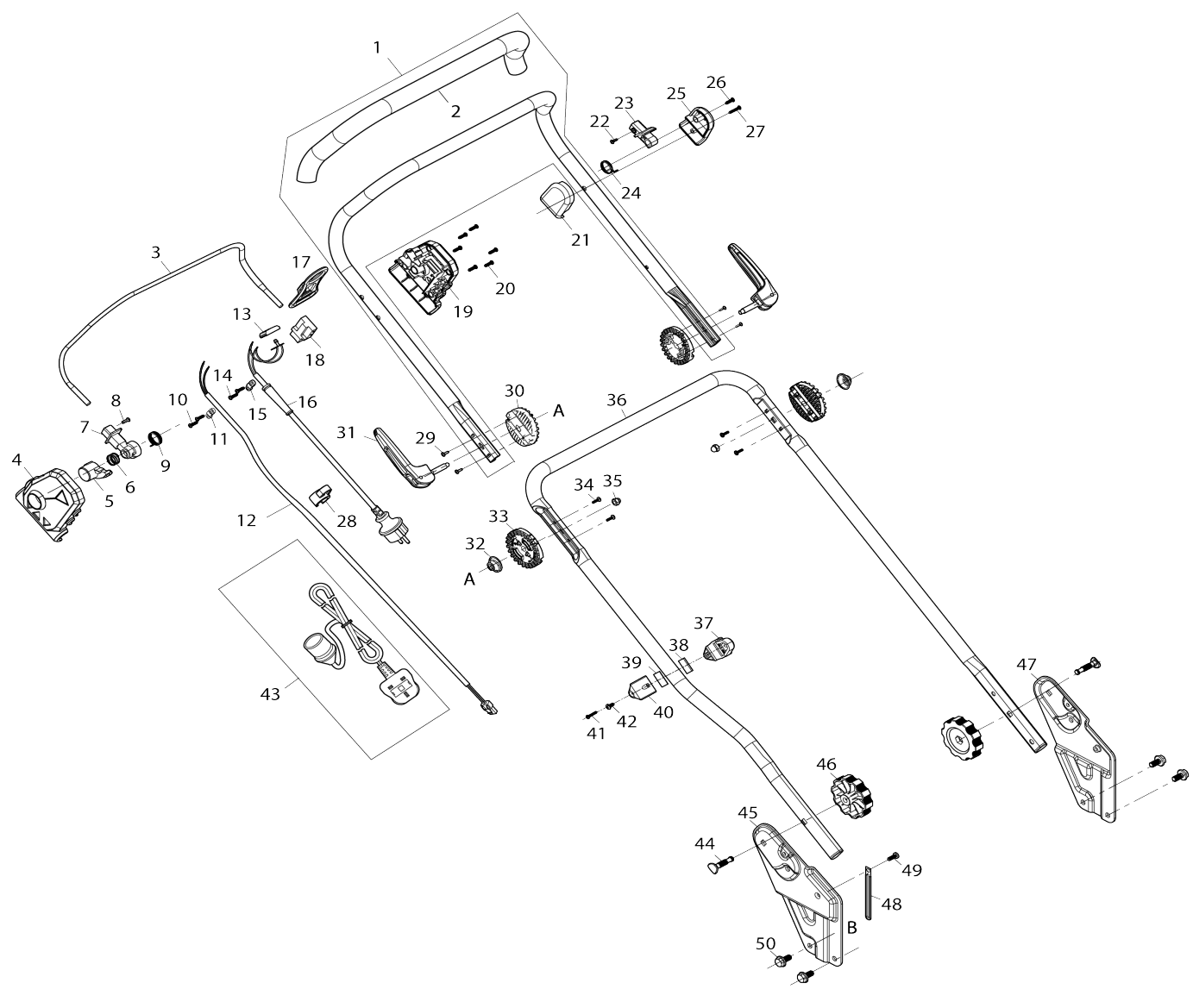
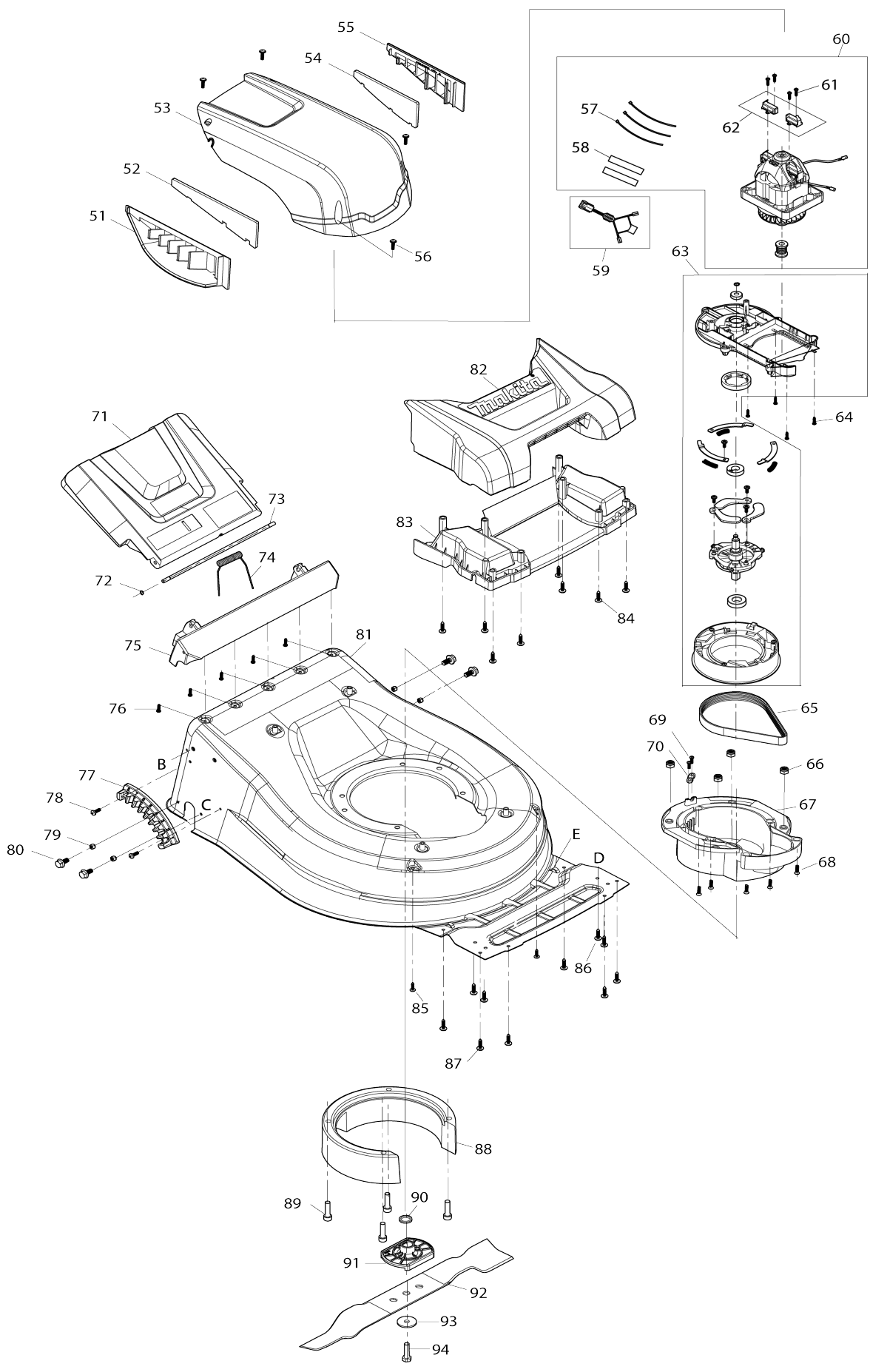


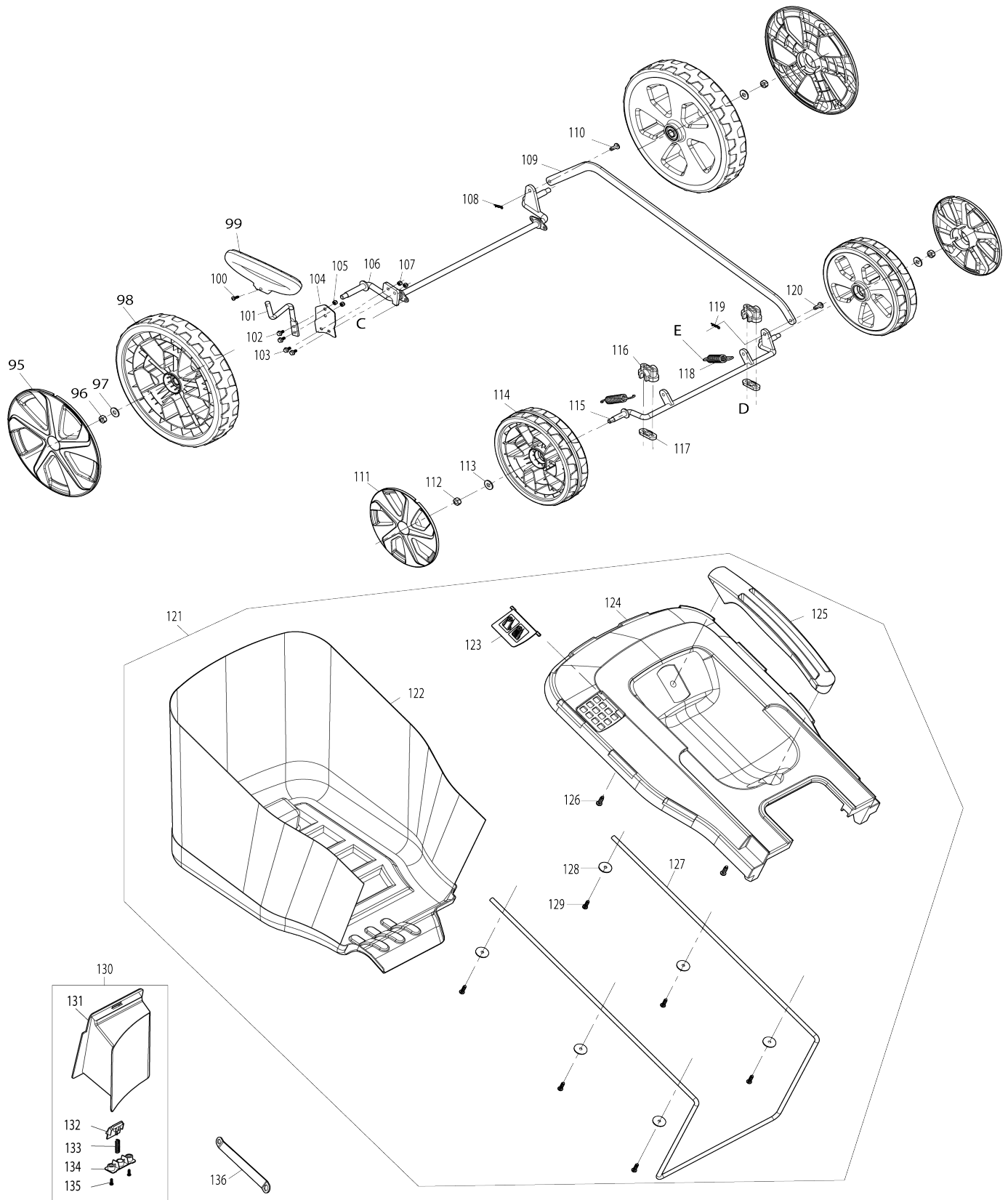
Model No.ELM4121 410MM ELECTRIC LAWN MOWER



Model No.ELM4121 410MM ELECTRIC LAWN MOWER



Model No.ELM4121 410MM ELECTRIC LAWN MOWER



Model No.ELM4121 410MM ELECTRIC LAWN MOWER

Obj. č.	Obj. č.	Popis	Možn ost zá měny	Množ ství	Nový/ Starý	Poznámka 1	Poznámka 2
001	YA00000958	UPPER HANDLE BAR ASSY		1		horn	
001		INC. 2					
002	YA00001187	SPONGE GRIP		1		p	
003	YA00000959	SWITCH LEVER		1		p	
004	YA00000765	SWITCH BOX RIGHT		1			
005	YA00000766	SWITCH LINK BUTTON		1			
006	YA00000767	COMPRESSION SPRING 16.8		1			
007	YA00000768	SWITCH LEVER END CAP RIGHT		1		dr	
008	652024721	SELF DRILLING SCREW 3.5X10		1			
009	YA00000769	SWITCH TORSION SPRING 21		1			
010	YA00000778	SELF TAPPING SCREW ST4X16		2			
011	YA00000780	CORD CLAMP		1			
012	YA00000914	POWER SUPPLY CORD ASSY		1		kabel	
013	YA00000781	INDICATOR LENZ		1			
014	YA00000778	SELF TAPPING SCREW ST4X16		2			
015	YA00000780	CORD CLAMP		1			
016	YA00000773	POWER SUPPLY CORD ASSY (EURO)		1		kabel	
017	652023811	CABLE HANGER		1		dr	
018	YA00000772	SWITCH		1		vyp	
019	YA00000782	SWITCH BOX LEFT		1			
020	YA00000778	SELF TAPPING SCREW ST4X16		6			
021	652023795	SPRING BOX RIGHT		1			
022	652024721	SELF DRILLING SCREW 3.5X10		1			
023	652023794	SWITCH LEVER END LEFT		1			
024	YA00000737	TORSION SPRING		1			
025	652023793	SPRING BOX LEFT		1			
026	YA00000778	SELF TAPPING SCREW ST4X16		1			
027	YA00000785	SELF TAPPING SCREW ST4X25		1			
028	YA00000921	CABLE CLIP		1		svorka na kabel	
029	YA00000960	SELF TAPPING SCREW ST3X12		4			
030	YA00000961	ANGLE ADJUSTMENT JOINT UPPER		2			
031	YA00000975	TENSION LEVER ASSY		2		nap	
032	YA00000976	CONICAL SPRING		2		pru	
033	YA00000977	ANGLE ADJUSTMENT JOINT LOWER		2		spojovac	
034	YA00000960	SELF TAPPING SCREW ST3X12		4			
035	YA00000802	HEX.FRANGE CAP NUT M6		2		matka	
036	YA00000974	LOWER HANDLE ASSEMBLY		2	*	spodn	
036-1	YA00000974	LOWER HANDLE ASSEMBLY	>	1		spodn	
037	YA00000970	CABLE GUIDE RING		1			
038	YA00000971	RUBBER SHEET		1			
039	YA00000971	RUBBER SHEET		1			
040	YA00000972	CABLE GUIDE CLAMP		1			
041	YA00000873	SELF TAPPING SCREW ST4X12		1			
042	YA00000973	SELF TAPPING SCREW ST3X16		1			
044	YA00000983	SQUARE NECKED BOLT M8X40		2			
045	YA00000996	RIGHT HANDLE BRACKET		1	*	prav	

045-1	YA00000996	RIGHT HANDLE BRACKET	O	1		prav	
046	YA00000803	M8 KNOB		2		matka	
047	YA00001001	LEFT HANDLE BRACKET		1	*	lev	
047-1	YA00001001	LEFT HANDLE BRACKET	O	1		lev	
048	YA00000997	CABLE CLAMP		1			
049	YA00000998	PAN HEAD SCREW M6X8		1			
050	YA00000995	H.S.TRUSS HEAD SCREW M8X16		4			
051	YA00001008	AIR INTAKE PLATE RIGHT BULE		1		deska prav	
052	YA00001010	SPONGE SHEET		1		p	
053	YA00001006	MOTOR HOOD UPPER BLUE		1		kryt motoru modr	
054	YA00001011	SPONGE SHEET		1		p	
055	YA00001012	AIR INTAKE PLATE LEFT BULE		1		deska lev	
056	YA00000450	PAN HEAD SCREW M5X14		4	*		
056-1	YA00000450	PAN HEAD SCREW M5X14	O	4			
057	YA00001174	CABLE TIE		1			
058	YA00001173	HEAT SHRINKABLE TUBE		1			
059	YA00001181	LEAD WIRE SET		1		kabel ELM3720 ELM4 120 ELM4121	
060	YA00000928	MOTOR ASSY (230V)		1		motor EM411 ELM41 21	
060		INC. 57,58,61,62					
061	YA00000813	SELF TAPPING SCREW ST4X10		4			
062	YA00000814	CARBON BRUSH 2PICS SET		1		uhl	
063	YA00001183	MOTOR FLAME & PULLEY ASSY		1		r	
064	YA00000806	SELF TAPPING SCREW ST5X20		4			
065	YA00001180	RIBBED BELT		1			
066	652023843	NYLON INSERT HEX. LOCK NUT M8		4		vlo	
067	YA00001184	BELT COVER		1		kryt	
068	YA00000806	SELF TAPPING SCREW ST5X20		5			
069	YA00000778	SELF TAPPING SCREW ST4X16		2			
070	YA00001034	CORD CLAMP		1		spona kabelu ELM41 21	
071	YA00000992	REAR FLAP BULE		1		zadn	
072	YA00000990	STOP RING E-5		1			
073	YA00000991	REAR FLAP HINGE ROD		1		ty	
074	YA00000994	REAR FLAP TORSION SPRING 7.7		1			
075	YA00000999	REAR FLAP MOUNT BULE		1		p	
076	YA00000794	SELF TAPPING SCREW ST4X14		5			
077	YA00001002	HEIGHT ADJUSTER STOP PLATE		1		nastaven	
078	YA00000450	PAN HEAD SCREW M5X14		2	*		
078-1	YA00000450	PAN HEAD SCREW M5X14	O	2			
079	YA00000393	NYLON INSERT HEX. LOCK NUT M5		4	*		
079-1	YA00000393	NYLON INSERT HEX. LOCK NUT M5	O	4			
080	YA00001032	HEX. FLANGE BOLT M5X12		4			
081	YA00001003	DECK		1			
082	YA00001019	FRONT HOOD BLUE		1		p	
083	YA00001021	FRONT AXLE COVER		1		kryt p	
084	YA00000778	SELF TAPPING SCREW ST4X16		8			
085	YA00000794	SELF TAPPING SCREW ST4X14		2			
086	YA00001030	SELF TAPPING SCREW ST5X20		4			

087	YA00001030	SELF TAPPING SCREW ST5X20		6		
088	YA00001015	BELT COVER RETAINER		1		kryt
089	YA00001016	HEX. SOCKET HEAD BOLT M8X35		4		
090	YA00001029	SPACER RING 16		1		krou
091	YA00000890	BLADE SUPPORT		1		una
092	YA00000734	BLADE 41		1	*	
092-1	YA00000738	BLADE 410 SET	O	1		
093	YA00000891	CLAMP WASHER 8		1		podlo
094	YA00000827	HEX. BOLT M8X25		1		
095	YA00000925	WHEEL CAP 7INCH		2		
096	652023843	NYLON INSERT HEX. LOCK NUT M8		2		vlo
097	YA00000420	WASHER		2		podlo
098	YA00000926	WHEEL 8INCH		2		
099	YA00000989	HEIGHT ADJUST GRIP		1		p
100	YA00000988	PAN HEAD SCREW M4X12		1		
101	YA00000987	HEIGHT ADJUST LEVER		1		p
102	YA00000407	HEX. FLANGE BOLT M5X16		2		
103	YA00000407	HEX. FLANGE BOLT M5X16		2		
104	YA00000986	HEIGHT ADJUST SPRING		1		
105	YA00000393	NYLON INSERT HEX. LOCK NUT M5		1	*	
105-1	YA00000393	NYLON INSERT HEX. LOCK NUT M5	O	1		
106	YA00000985	REAR AXLE		1		zadn
107	YA00000393	NYLON INSERT HEX. LOCK NUT M5		2	*	
107-1	YA00000393	NYLON INSERT HEX. LOCK NUT M5	O	2		
108	YA00000851	R PIN 7		1		
109	YA00001017	CONNECTING ROD		1		ojnice ELM4121
110	YA00001018	PIN 7		1		
111	YA00001022	WHEEL CAP 5.2INCH		2		kryt kola
112	652023843	NYLON INSERT HEX. LOCK NUT M8		2		vlo
113	YA00000420	WASHER		2		podlo
114	YA00001023	WHEEL 6INCH		2		kolo
115	YA00000954	FRONT AXLE		1	*	osa
115-1	YA00001028	FRONT AXLE	X	1		p
116	YA00001026	FRONT AXLE MOUNT UPPER		2		ty
117	YA00001025	FRONT AXLE MOUNT LOWER		2		
118	YA00001027	HEIGHT ADJUST ASSIST SPRING		2		p
119	YA00000851	R PIN 7		1		
120	YA00001018	PIN 7		1		
121	YA00000962	GRASS BOX ASSY(MAKITA)		1		ko
121		INC. 122-129				
122	YA00000964	GRASS CATCH SIDE CLOSS SET M AK		1		d
123	YA00000791	GRASS CATCHER INDICATOR BLUE		1		klapka ko
124	YA00000966	GRASS CATCHER UPPER BORAD		1		horn
125	YA00000795	GRIP		1		rukoje
126	YA00000794	SELF TAPPING SCREW ST4X14		2		
127	YA00000968	GRASS CATCHER FRAME		1		r

128	YA00000967	WASHER 4		6	podlo	
129	YA00000794	SELF TAPPING SCREW ST4X14		6		
130	YA00000978	MULCHING PLUG ASSY		1		
130		INC. 131-135				
131	YA00000979	MULCHING PLUG BOX		1	vlo	
132	YA00000980	LATCH HANDLE		1		
133	YA00000981	COMPRESSION SPRING		1	pru	
134	YA00000982	SPRING RETAINER		1		
135	YA00000778	SELF TAPPING SCREW ST4X16		2		
136	YA00000798	SPANNER 10-13		1		

Prosím uveďte objednáací číslo dílu v objednávce

Datum tisku 24. 10. 2024