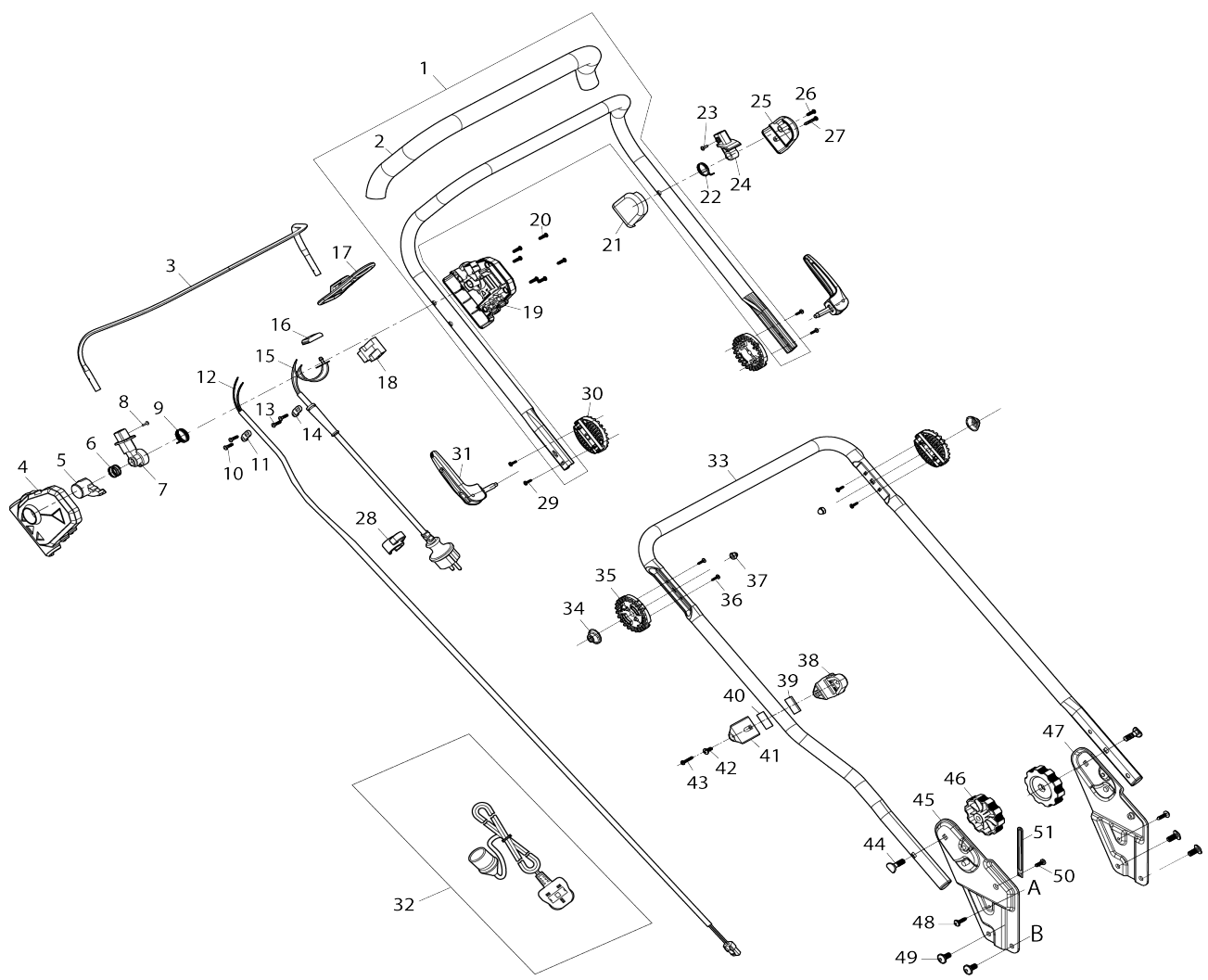
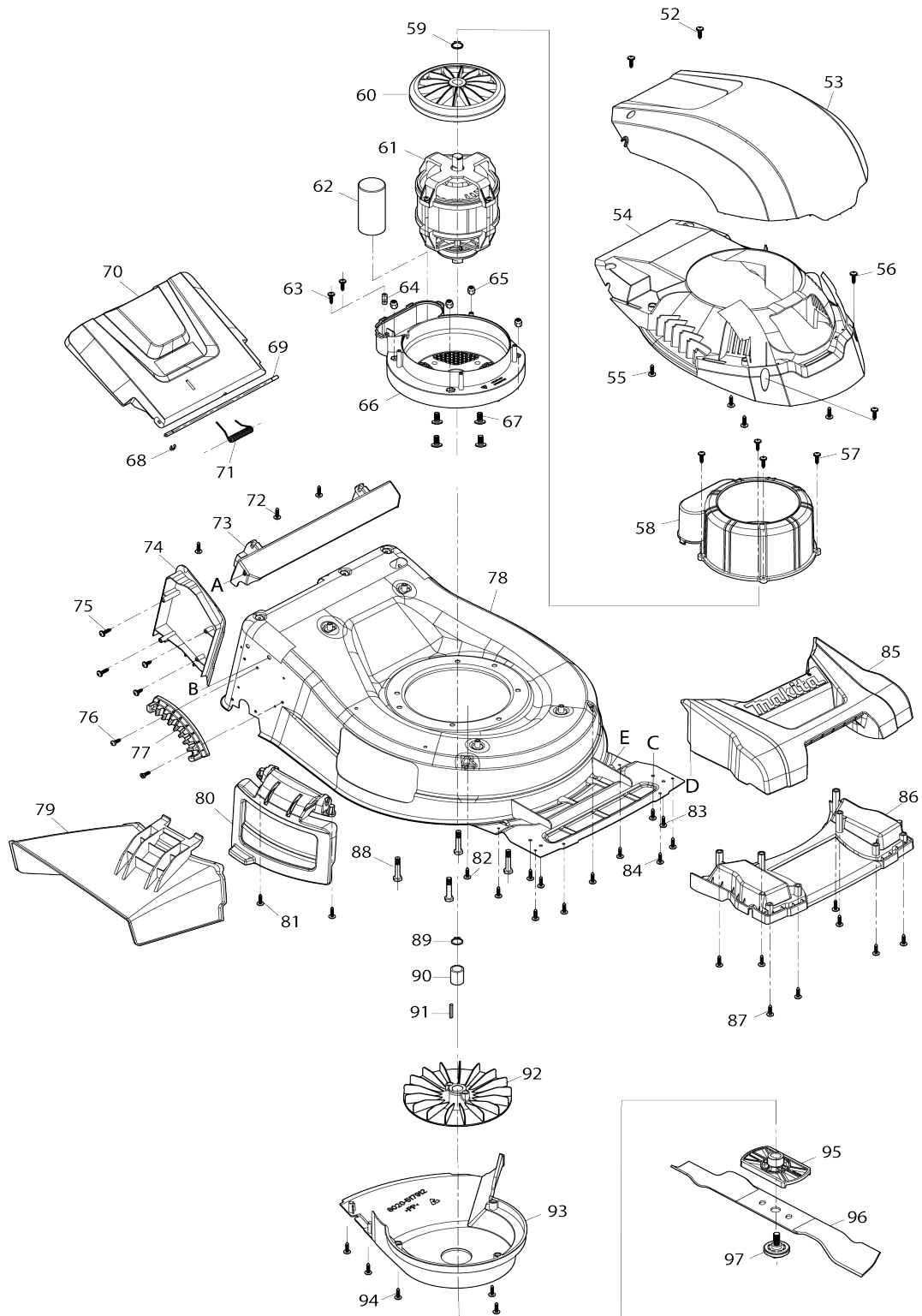


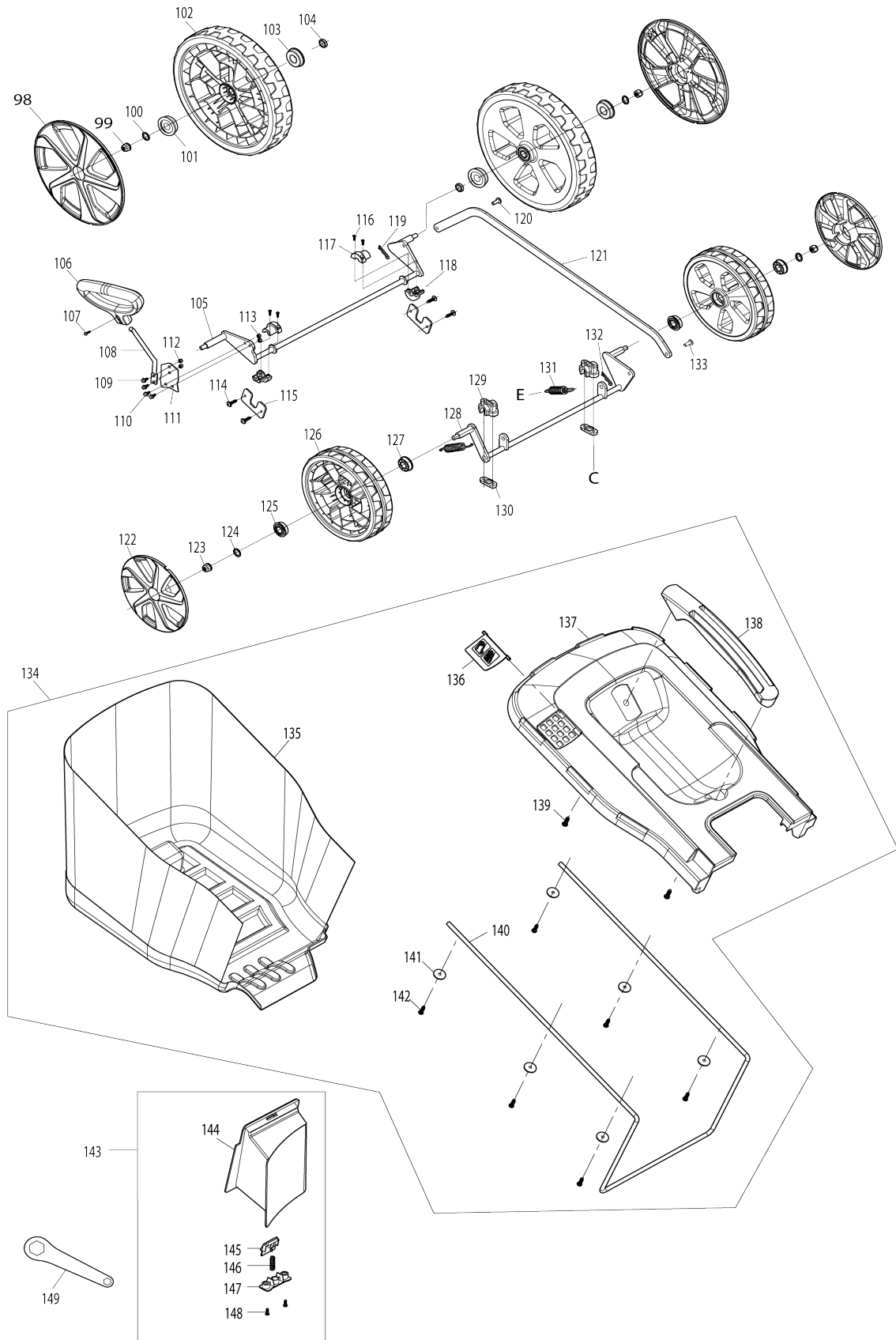
Model No.ELM4620 460MM ELECTRIC LAWN MOWER



Model No.ELM4620 460MM ELECTRIC LAWN MOWER



Model No.ELM4620 460MM ELECTRIC LAWN MOWER



Model No.ELM4620 460MM ELECTRIC LAWN MOWER

Obj. č.	Obj. č.	Popis	Možnost záměny	Množství	Nový/Stary	Poznámka 1	Poznámka 2
001	YA00001159	UPPER HANDLE BAR ASSY		1			
001		INC. 2					
002	YA00001185	SPONGE GRIP		1			
003	YA00001160	SWITCH LEVER		1			
004	YA00000765	SWITCH BOX RIGHT		1			
005	YA00000766	SWITCH LINK BUTTON		1			
006	YA00000767	COMPRESSION SPRING 16.8		1			
007	YA00000768	SWITCH LEVER END CAP RIGHT		1		dr	
008	652024721	SELF DRILLING SCREW 3.5X10		1			
009	YA00000769	SWITCH TORSION SPRING 21		1			
010	YA00000778	SELF TAPPING SCREW ST4X16		2			
011	YA00000780	CORD CLAMP		1			
012	YA00001038	POWER SUPPLY CORD ASSY		1			
013	YA00000778	SELF TAPPING SCREW ST4X16		2			
014	YA00000780	CORD CLAMP		1			
015	YA00000773	POWER SUPPLY CORD ASSY (EURO)		1		kabel	
016	YA00000781	INDICATOR LENZ		1			
017	652023811	CABLE HANGER		1		dr	
018	YA00000772	SWITCH		1		vyp	
019	YA00000782	SWITCH BOX LEFT		1			
020	YA00000778	SELF TAPPING SCREW ST4X16		6			
021	652023795	SPRING BOX RIGHT		1			
022	YA00000737	TORSION SPRING		1			
023	652024721	SELF DRILLING SCREW 3.5X10		1			
024	652023794	SWITCH LEVER END LEFT		1			
025	652023793	SPRING BOX LEFT		1			
026	YA00000778	SELF TAPPING SCREW ST4X16		1			
027	YA00000785	SELF TAPPING SCREW ST4X25		1			
028	YA00000921	CABLE CLIP		1		svorka na kabel	
029	YA00000960	SELF TAPPING SCREW ST3X12		4			
030	YA00000961	ANGLE ADJUSTMENT JOINT UPPER		2			
031	YA00000975	TENSION LEVER ASSY		2		nap	
033	YA00001046	LOWER HANDLE BAR		1		spodn	
034	YA00000976	CONICAL SPRING		2		pru	
035	YA00000977	ANGLE ADJUSTMENT JOINT LOWER		2		spojovac	
036	YA00000960	SELF TAPPING SCREW ST3X12		4			
037	YA00000802	HEX.FRANGE CAP NUT M6		2		matka	
038	YA00000970	CABLE GUIDE RING		1			
039	YA00000971	RUBBER SHEET		1			
040	YA00000971	RUBBER SHEET		1			
041	YA00000972	CABLE GUIDE CLAMP		1			
042	YA00000873	SELF TAPPING SCREW ST4X12		1			
043	YA00000973	SELF TAPPING SCREW ST3X16		1			
044	YA00000983	SQUARE NECKED BOLT M8X40		1			
045	YA00001060	HANDLE BRACKET RIGHT		1		konzola rukojeti prav	
046	YA00000803	M8 KNOB		2		matka	

047	YA00001063	HANDLE BRACKET LEFT		1		konzola rukojeti lev	
048	YA00000778	SELF TAPPING SCREW ST4X16		2			
049	YA00000995	H.S.TRUSS HEAD SCREW M8X16		4			
050	YA00000998	PAN HEAD SCREW M6X8		1			
051	YA00000997	CABLE CLAMP		1			
052	652023758	PAN HEAD SCREW M5X16		2			
053	YA00001070	MOTOR HOOD UPPER BLUE		1		kryt ELM4620 ELM4621	
054	YA00001072	MOTOR HOOD LOWER		1		spodn	
055	YA00000820	SELF TAPPING SCREW ST5X16		4			
056	652023758	PAN HEAD SCREW M5X16		2			
057	YA00000778	SELF TAPPING SCREW ST4X16		4			
058	YA00001140	MOTER HOUSING UPPER		1		horn	
059	YA00001096	RETAINING RING S-17		1			
060	YA00001097	FAN		1		ventil	
061	YA00001074	MOTOR ASSY 230V 50Hz		1		motor ELM4620 ELM4621	
062	YA00001099	CAPACTOR 25MICRO F 500V		1		kondenz	
063	YA00000778	SELF TAPPING SCREW ST4X16		2			
064	652023752	CABLE PRESSBOARD		1			
065	652023843	NYLON INSERT HEX. LOCK NUT M8		4		vlo	
066	YA00001075	MOTOR HOUSING LOWER		1		ulo	
067	YA00000995	H.S.TRUSS HEAD SCREW M8X16		4			
068	YA00000990	STOP RING E-5		1			
069	YA00001057	REAR FLAP HINGE ROD		1		zadn	
070	YA00001058	REAR FLAP BULE		1			
071	YA00000994	REAR FLAP TORSION SPRING 7.7		1			
072	YA00000778	SELF TAPPING SCREW ST4X16		3			
073	YA00001061	REAR FLAP HINGE BASE BLUE		1		kryt ELM4620 ELM4621	
074	YA00001089	GRASS OUTLET SLOPE BOARD		1			
075	YA00000778	SELF TAPPING SCREW ST4X16		4			
076	652023758	PAN HEAD SCREW M5X16		2			
077	YA00001064	HEIGHT ADJUSTER STOP PLATE		1		h	
078	YA00001065	DECK		1			
079	YA00001090	SIDE DISCHARGE OUTLET		1		kryt ELM4620 ELM4621 EM462 EM463S	
080	YA00001092	SIDE DISCHARGE FLAP ASSY		1			
081	YA00001091	SELF TAPPING SCREW ST5X12		2			
082	YA00001031	SELF TAPPING SCREW ST4X10		2			
083	YA00001024	SELF TAPPING SCREW ST5X20		4			
084	YA00000820	SELF TAPPING SCREW ST5X16		6			
085	YA00001079	FRONT HOOD BLUE		1		p	
086	YA00001080	FRONT AXLE COVER		1			
087	YA00000778	SELF TAPPING SCREW ST4X16		8			
088	YA00001076	HEX. BOLT M8X35		4			
089	YA00001096	RETAINING RING S-17		1			
090	YA00001093	SPACER RING HL		1		krou	
091	YA00001098	FLAT KEY		1		kl	
092	YA00001094	FAN LOWER SIDE		1			
093	YA00001095	UNDER COVER		1		kryt	
094	YA00000778	SELF TAPPING SCREW ST4X16		5			

095	YA00001066	BLADE SUPPORT		1		dr	
096	YA00000742	BLADE 46		1	*		
096-1	YA00000741	BLADE 460 SET	O	1			
097	YA00001067	BLADE BOLT M10X30		1			
098	YA00001049	WHEEL CAP 9.5 INCH		2		kryt zadn	
099	652023843	NYLON INSERT HEX. LOCK NUT M8		2		vlo	
100	YA00000420	WASHER		2		podlo	
101	YA00001186	FLANGED WHEEL BEARING 1/2 INCH		2		lo	
102	YA00001050	WHEEL ASSY 11 INCH		2			
103	YA00001186	FLANGED WHEEL BEARING 1/2 INCH		2		lo	
104	YA00001088	SPACER RING 1/2"X5MM		2	*		
104-1	YA00001088	SPACER RING 1/2"X5MM	O	2			
105	YA00001052	REAR AXLE		1		zadn	
106	YA00000989	HEIGHT ADJUST GRIP		1		p	
107	YA00000988	PAN HEAD SCREW M4X12		1			
108	YA00001053	HIGHT ADJUST LEVER		1			
109	YA00000407	HEX. FLANGE BOLT M5X16		2			
110	YA00000407	HEX. FLANGE BOLT M5X16		2			
111	YA00000986	HEIGHT ADJUST SPRING		1			
112	YA00000393	NYLON INSERT HEX. LOCK NUT M5		2	*		
112-1	YA00000393	NYLON INSERT HEX. LOCK NUT M5	O	2			
113	YA00000393	NYLON INSERT HEX. LOCK NUT M5		2	*		
113-1	YA00000393	NYLON INSERT HEX. LOCK NUT M5	O	2			
114	YA00001086	PAN HEAD SCREW M5X12		4			
115	YA00001087	REAR AXLE RETAINER		2		d	
116	YA00001054	SELF TAPPING SCREW ST3X14		4			
117	YA00001055	REAR AXLE MOUNT A		2		zadn	
118	YA00001056	REAR AXLE MOUNT B		2		zadn	
119	YA00000851	R PIN 7		1			
120	YA00001018	PIN 7		1			
121	YA00001077	CONNECTING ROD		1		ojnice ELM4620 EM462	
122	YA00001081	WHEEL CAP 7 INCH		2		v	
123	652023843	NYLON INSERT HEX. LOCK NUT M8		2		vlo	
124	YA00000420	WASHER		2		podlo	
125	YA00001100	NLYON SLEEVE		2		nylonov	
126	YA00001082	WHEEL 8 INCH		2		kolo	
127	YA00001100	NLYON SLEEVE		2		nylonov	
128	YA00001085	FRONT AXLE		1		p	
129	YA00001083	FRONT AXLE MOUNT UPPER		2			
130	YA00001025	FRONT AXLE MOUNT LOWER		2			
131	YA00001084	HEIGHT ADJUST ASSIST SPRING		2			
132	YA00000851	R PIN 7		1			
133	YA00001018	PIN 7		1			
134	YA00001039	GRASS BOX ASSY(MAKITA)		1		ko	
134		INC. 135-142					

135	YA00001041	GRASS CATCH SIDE CLOSS SET M AK		1		pl	
136	YA00000791	GRASS CATCHER INDICATOR BLU E		1		klapka ko	
137	YA00001043	GRASS CATCHER UPPER BORAD		1		kryt ko	
138	YA00000795	GRIP		1		rukoje	
139	YA00000778	SELF TAPPING SCREW ST4X16		2			
140	YA00001044	GRASS CATCHER FRAME		1		r	
141	YA00000796	WASHER 4		6			
142	YA00000778	SELF TAPPING SCREW ST4X16		6			
143	YA00001047	MULTING PLUG ASSY		1			
143		INC. 144-148					
144	YA00001048	MULTING PLUG BOX		1			
145	YA00000980	LATCH HANDLE		1			
146	YA00000981	COMPRESSION SPRING		1		pru	
147	YA00000982	SPRING RETAINER		1			
148	YA00000778	SELF TAPPING SCREW ST4X16		2			
149	YA00001045	SPANNER 10-27		1			

Prosím uveďte objednáč í číslo dílu v objednávce

Datum tisku 24. 10. 2024