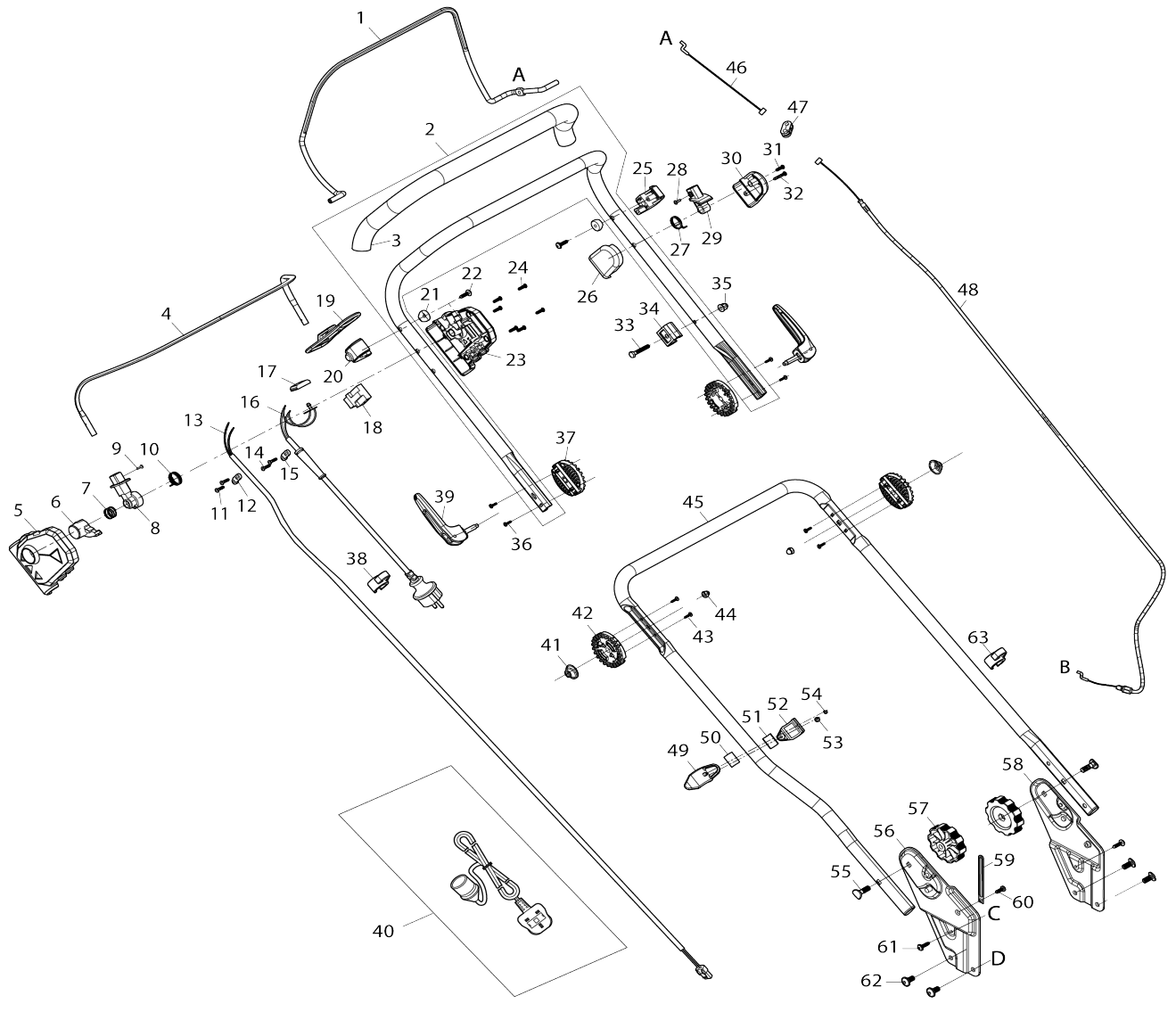
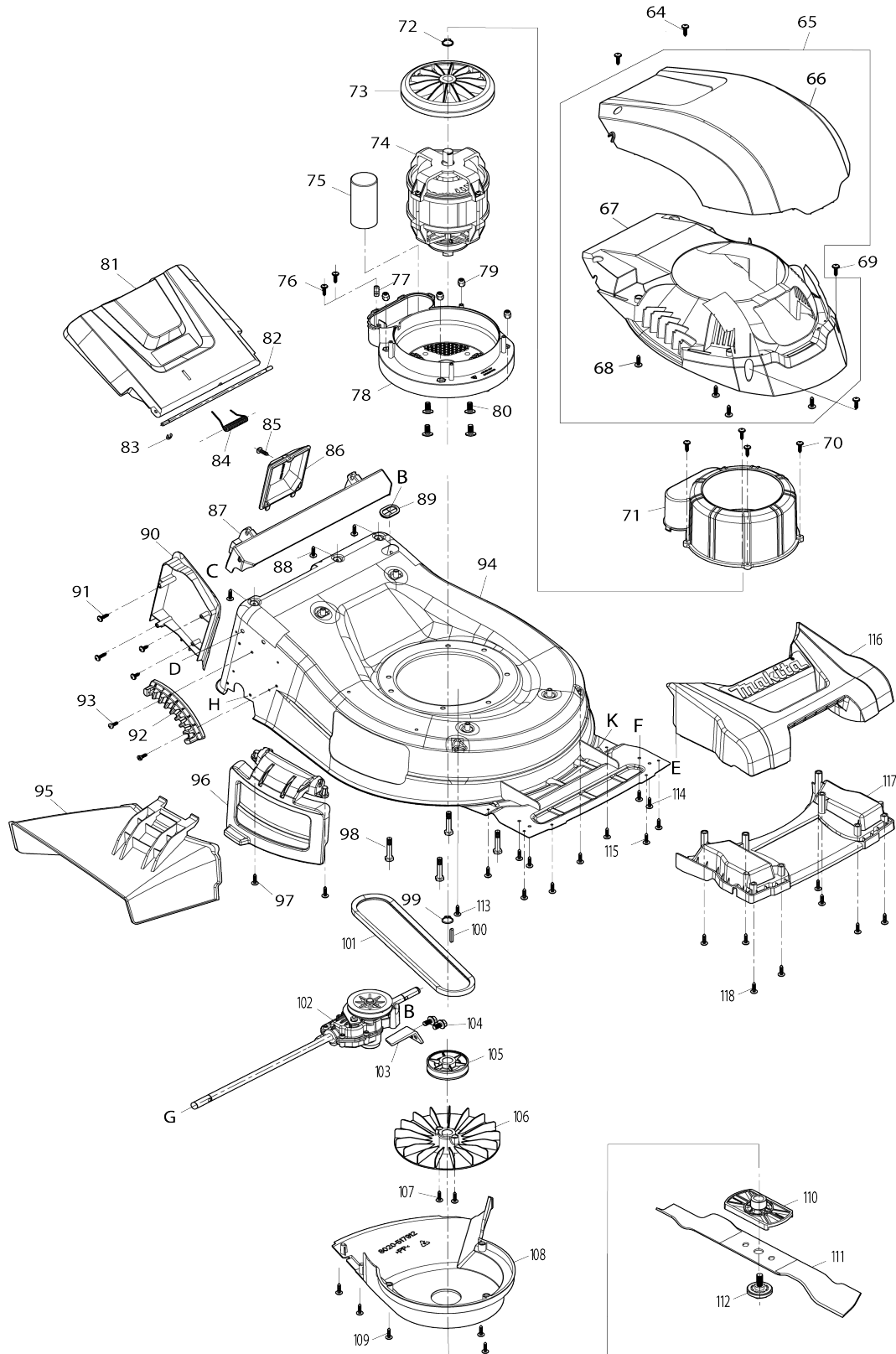


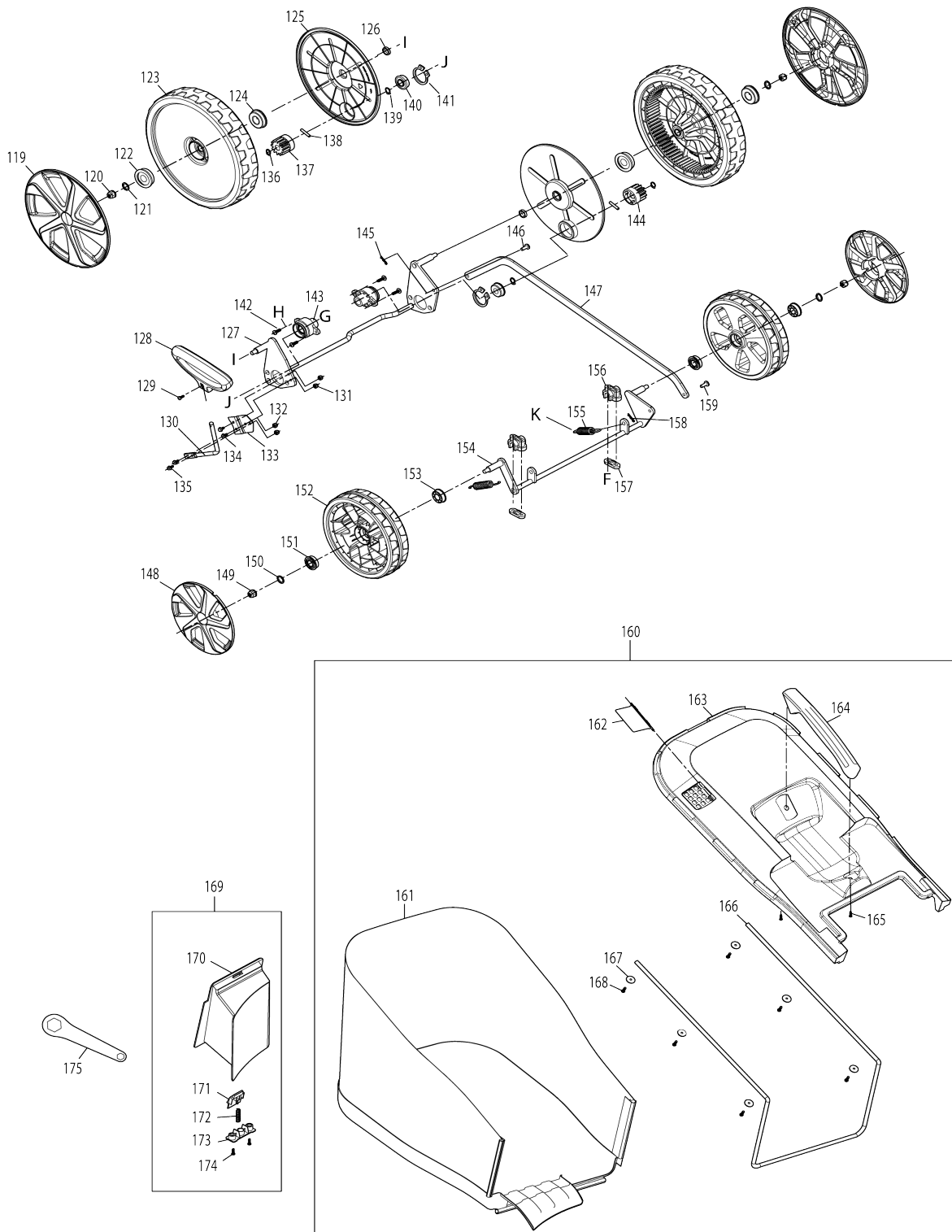
Model No.ELM4621 460MM ELECTRIC LAWN MOWER



Model No.ELM4621 460MM ELECTRIC LAWN MOWER



Model No.ELM4621 460MM ELECTRIC LAWN MOWER



Model No.ELM4621 460MM ELECTRIC LAWN MOWER

Obj. č.	Obj. č.	Popis	Možn ost zá měny	Množ ství	Nový/ Starý	Poznámka 1	Poznámka 2
001	YA00001108	DRIVE CONTOROL LEVER		1			
002	YA00001159	UPPER HANDLE BAR ASSY		1			
002		INC. 3					
003	YA00001185	SPONGE GRIP		1			
004	YA00001160	SWITCH LEVER		1			
005	YA00000765	SWITCH BOX RIGHT		1			
006	YA00000766	SWITCH LINK BUTTON		1			
007	YA00000767	COMPRESSION SPRING 16.8		1			
008	YA00000768	SWITCH LEVER END CAP RIGHT		1		dr	
009	652024721	SELF DRILLING SCREW 3.5X10		1			
010	YA00000769	SWITCH TORSION SPRING 21		1			
011	YA00000778	SELF TAPPING SCREW ST4X16		2			
012	YA00000780	CORD CLAMP		1			
013	YA00001038	POWER SUPPLY CORD ASSY		1			
014	YA00000778	SELF TAPPING SCREW ST4X16		2			
015	YA00000780	CORD CLAMP		1			
016	YA00000773	POWER SUPPLY CORD ASSY (EUR O)		1		kabel	
017	YA00000781	INDICATOR LENZ		1			
018	YA00000772	SWITCH		1		vyp	
019	652023811	CABLE HANGER		1		dr	
020	YA00001105	DRIVE CONTROL LEVER BRACKET R		1	*	dr	
020-1	YA00001105	DRIVE CONTROL LEVER BRACKET R	O	1		dr	
021	YA00001106	PLASTIC SADDLE WASHER 5		2			
022	YA00000820	SELF TAPPING SCREW ST5X16		2			
023	YA00000782	SWITCH BOX LEFT		1			
024	YA00000778	SELF TAPPING SCREW ST4X16		6			
025	YA00001107	DRIVE CONTROL LEVER BRACKET L		1	*	dr	
025-1	YA00001107	DRIVE CONTROL LEVER BRACKET L	O	1		dr	
026	652023795	SPRING BOX RIGHT		1			
027	YA00000737	TORSION SPRING		1			
028	652024721	SELF DRILLING SCREW 3.5X10		1			
029	652023794	SWITCH LEVER END LEFT		1			
030	652023793	SPRING BOX LEFT		1			
031	YA00000778	SELF TAPPING SCREW ST4X16		1			
032	YA00000785	SELF TAPPING SCREW ST4X25		1			
033	YA00001109	HEX. BOLT M6X35		1			
034	YA00001110	OUTER WIRE STOPPER		1			
035	YA00000802	HEX.FRANGE CAP NUT M6		1		matka	
036	YA00000960	SELF TAPPING SCREW ST3X12		4			
037	YA00000961	ANGLE ADJUSTMENT JOINT UPPE R		2			
038	YA00000921	CABLE CLIP		1		svorka na kabel	
039	YA00000975	TENSION LEVER ASSY		2		nap	
040	YA00000858	EXTENSION LINE CABLE		1	*		
041	YA00000976	CONICAL SPRING		2		pru	

042	YA00000977	ANGLE ADJUSTMENT JOINT LOWER	2	spojovac
043	YA00000960	SELF TAPPING SCREW ST3X12	4	
044	YA00000802	HEX.FRANGE CAP NUT M6	2	matka
045	YA00001046	LOWER HANDLE BAR	1	spodn
046	YA00001143	DRIVE CONTROL WIRE SHORT	1	kabel ELM4621
047	YA00001142	WIRE JOINT	1	
048	YA00001161	DRIVE CONTROL WIRE LONG	1	lanko pojezdu
049	YA00000970	CABLE GUIDE RING	1	
050	YA00000971	RUBBER SHEET	1	
051	YA00000971	RUBBER SHEET	1	
052	YA00000972	CABLE GUIDE CLAMP	1	
053	YA00000873	SELF TAPPING SCREW ST4X12	1	
054	YA00000973	SELF TAPPING SCREW ST3X16	1	
055	YA00000983	SQUARE NECKED BOLT M8X40	2	
056	YA00001060	HANDLE BRACKET RIGHT	1	konzola rukojeti prav
057	YA00000803	M8 KNOB	2	matka
058	YA00001063	HANDLE BRACKET LEFT	1	konzola rukojeti lev
059	YA00000997	CABLE CLAMP	1	
060	YA00000998	PAN HEAD SCREW M6X8	1	
061	YA00000778	SELF TAPPING SCREW ST4X16	2	
062	YA00000995	H.S.TRUSS HEAD SCREW M8X16	4	
063	YA00000921	CABLE CLIP	1	svorka na kabel
064	652023758	PAN HEAD SCREW M5X16	2	
065	YA00001125	MOTOR HOOD ASSY BLUE	1	
065		INC. 66-68		
066	YA00001070	MOTOR HOOD UPPER BLUE	1	kryt ELM4620 ELM4621
067	YA00001126	MOTOR HOOD LOWER	1	
068	YA00000820	SELF TAPPING SCREW ST5X16	4	
069	652023758	PAN HEAD SCREW M5X16	2	
070	YA00000778	SELF TAPPING SCREW ST4X16	4	
071	YA00001140	MOTOR HOUSING UPPER	1	horn
072	YA00001096	RETAINING RING S-17	1	
073	YA00001097	FAN	1	ventil
074	YA00001074	MOTOR ASSY 230V 50Hz	1	motor ELM4620 ELM4621
075	YA00001099	CAPACTOR 25MICRO F 500V	1	kondenz
076	YA00000778	SELF TAPPING SCREW ST4X16	2	
077	652023752	CABLE PRESSBOARD	1	
078	YA00001075	MOTOR HOUSING LOWER	1	ulo
079	652023843	NYLON INSERT HEX. LOCK NUT M8	4	vlo
080	YA00000995	H.S.TRUSS HEAD SCREW M8X16	4	
081	YA00001058	REAR FLAP BULE	1	
082	YA00001122	REAR FLAP HINGE ROD	1	
083	YA00000990	STOP RING E-5	1	
084	YA00000994	REAR FLAP TORSION SPRING 7.7	1	
085	652023758	PAN HEAD SCREW M5X16	1	
086	YA00001134	GEAR BOX HOOD	1	kryt
087	YA00001061	REAR FLAP HINGE BASE BLUE	1	kryt ELM4620 ELM4621
088	YA00000778	SELF TAPPING SCREW ST4X16	3	

089	YA00001135	GROMET		1		
090	YA00001089	GRASS OUTLET SLOPE BOARD		1		
091	YA00000778	SELF TAPPING SCREW ST4X16		4		
092	YA00001064	HEIGHT ADJUSTER STOP PLATE		1		h
093	652023758	PAN HEAD SCREW M5X16		2		
094	YA00001123	DECK		1		
095	YA00001090	SIDE DISCHARGE OUTLET		1		kryt ELM4620 ELM4621 EM462 EM463S
096	YA00001092	SIDE DISCHARGE FLAP ASSY		1		
097	YA00001091	SELF TAPPING SCREW ST5X12		2		
098	YA00001076	HEX. BOLT M8X35		4		
099	YA00001096	RETAINING RING S-17		1		
100	YA00001141	FLAT KEY		1		
101	YA00001138	V BELT XPZ 772		1		
102	YA00001121	SELF DRIVING GEAR BOX ASSY		1		p
103	YA00001137	GEAR BOX STABILIZER		1		areta ce p
104	YA00001136	HEX. FLANGE BOLT M6X16		2		
105	YA00001139	V PULLEY		1		
106	YA00001094	FAN LOWER SIDE		1		
107	YA00001024	SELF TAPPING SCREW ST5X20		2		
108	YA00001095	UNDER COVER		1		kryt
109	YA00000778	SELF TAPPING SCREW ST4X16		5		
110	YA00001066	BLADE SUPPORT		1		dr
111	YA00000742	BLADE 46		1	*	
111-1	YA00000741	BLADE 460 SET	O	1		
112	YA00001067	BLADE BOLT M10X30		1		
113	YA00001031	SELF TAPPING SCREW ST4X10		2		
114	YA00001024	SELF TAPPING SCREW ST5X20		4		
115	YA00000820	SELF TAPPING SCREW ST5X16		6		
116	YA00001079	FRONT HOOD BLUE		1		p
117	YA00001080	FRONT AXLE COVER		1		
118	YA00000778	SELF TAPPING SCREW ST4X16		8		
119	YA00001049	WHEEL CAP 9.5 INCH		2		kryt zadn
120	652023843	NYLON INSERT HEX. LOCK NUT M8		2		vlo
121	YA00000420	WASHER		2		podlo
122	YA00001186	FLANGED WHEEL BEARING 1/2 INCH		2		lo
123	YA00001050	WHEEL ASSY 11 INCH		2	*	
123-1	YA00001113	WHEEL ASSY 11 INCH	<	2		
124	YA00001186	FLANGED WHEEL BEARING 1/2 INCH		2		lo
125	YA00001132	WHEEL COVER ISIDE		2		
126	YA00001088	SPACER RING 1/2"X5MM		1	*	
126-1	YA00001088	SPACER RING 1/2"X5MM	<	2		
127	YA00001052	REAR AXLE		1	*	zadn
127-1	YA00001115	REAR AXLE	X	1		osa zadn
128	YA00000989	HEIGHT ADJUST GRIP		1		p
129	YA00000988	PAN HEAD SCREW M4X12		1		
130	YA00001053	HIGHT ADJUST LEVER		1		
131	YA00000393	NYLON INSERT HEX. LOCK NUT M5		2	*	
131-1	YA00000393	NYLON INSERT HEX. LOCK NUT	O	2		

		M5				
132	YA00000393	NYLON INSERT HEX. LOCK NUT M5		2	*	
132-1	YA00000393	NYLON INSERT HEX. LOCK NUT M5	O	2		
133	YA00000986	HEIGHT ADJUST SPRING		1		
134	YA00000407	HEX. FLANGE BOLT M5X16		2		
135	YA00000407	HEX. FLANGE BOLT M5X16		2		
136	YA00001117	RETAINING RING S-12		2		
137	YA00001130	SPUR GEAR 13 RIGHT		1		ozuben
138	YA00001131	COLUMN PIN 5X25		2		
139	YA00001117	RETAINING RING S-12		2		
140	YA00001118	FLANGED WHEEL BEARING ID=12		2		lo
141	YA00001119	RETAINING RING S-34		2		segrovka ELM4621 E M463S
142	652023758	PAN HEAD SCREW M5X16		4		
143	YA00001120	REAR AXLE MOUNT		2		dr
144	YA00001133	SPUR GEAR 13 LEFT		1		ozuben
145	YA00000851	R PIN 7		1		
146	YA00001018	PIN 7		1		
147	YA00001127	CONNECTING ROD		1		
148	YA00001081	WHEEL CAP 7 INCH		2		v
149	652023843	NYLON INSERT HEX. LOCK NUT M8		2		vlo
150	YA00000420	WASHER		2		podlo
151	YA00001100	NLYON SLEEVE		2		nylonov
152	YA00001082	WHEEL 8 INCH		2		kolo
153	YA00001100	NLYON SLEEVE		2		nylonov
154	YA00001085	FRONT AXLE		1		p
155	YA00001084	HEIGHT ADJUST ASSIST SPRING		2		
156	YA00001083	FRONT AXLE MOUNT UPPER		2		
157	YA00001025	FRONT AXLE MOUNT LOWER		2		
158	YA00000851	R PIN 7		1		
159	YA00001018	PIN 7		1		
160	YA00001039	GRASS BOX ASSY(MAKITA)		1		ko
160		INC. 161-168				
161	YA00001041	GRASS CATCH SIDE CLOSS SET MAK		1		pl
162	YA00000791	GRASS CATCHER INDICATOR BLUE		1		klapka ko
163	YA00001043	GRASS CATCHER UPPER BORAD		1		kryt ko
164	YA00000795	GRIP		1		rukoje
165	YA00000778	SELF TAPPING SCREW ST4X16		2		
166	YA00001111	GRASS CATCHER FRAME		1		
167	YA00000796	WASHER 4		6		
168	YA00000778	SELF TAPPING SCREW ST4X16		6		
169	YA00001047	MULTING PLUG ASSY		1		
169		INC. 170-174				
170	YA00001048	MULTING PLUG BOX		1		
171	YA00000980	LATCH HANDLE		1		
172	YA00001112	COMPRESSION SPRING		1		
173	YA00000982	SPRING RETAINER		1		
174	YA00000778	SELF TAPPING SCREW ST4X16		2		

175	YA00001045	SPANNER 10-27		1			
-----	------------	---------------	--	---	--	--	--

Prosím uveďte objednáací číslo dílu v objednávce

Datum tisku 24. 10. 2024