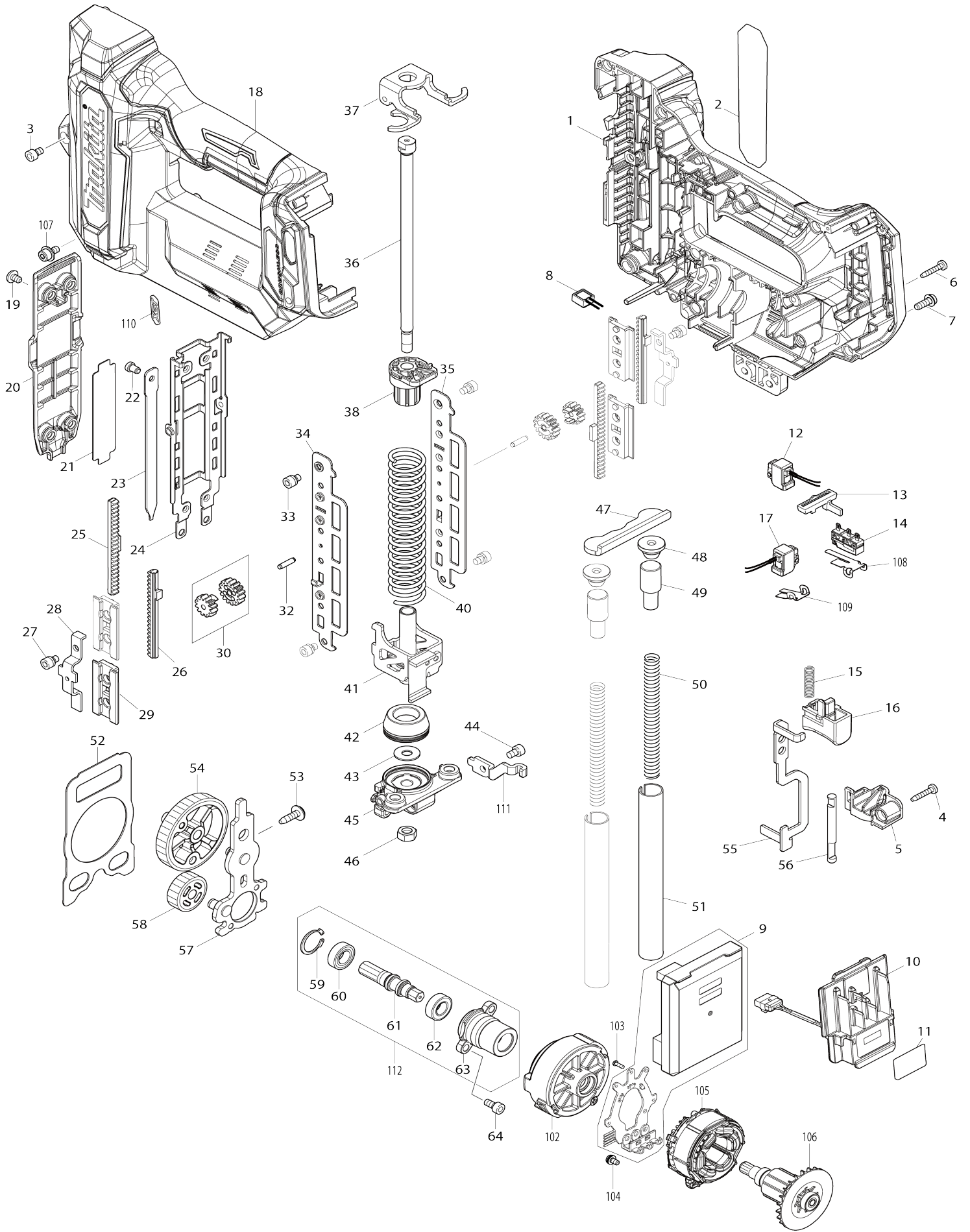
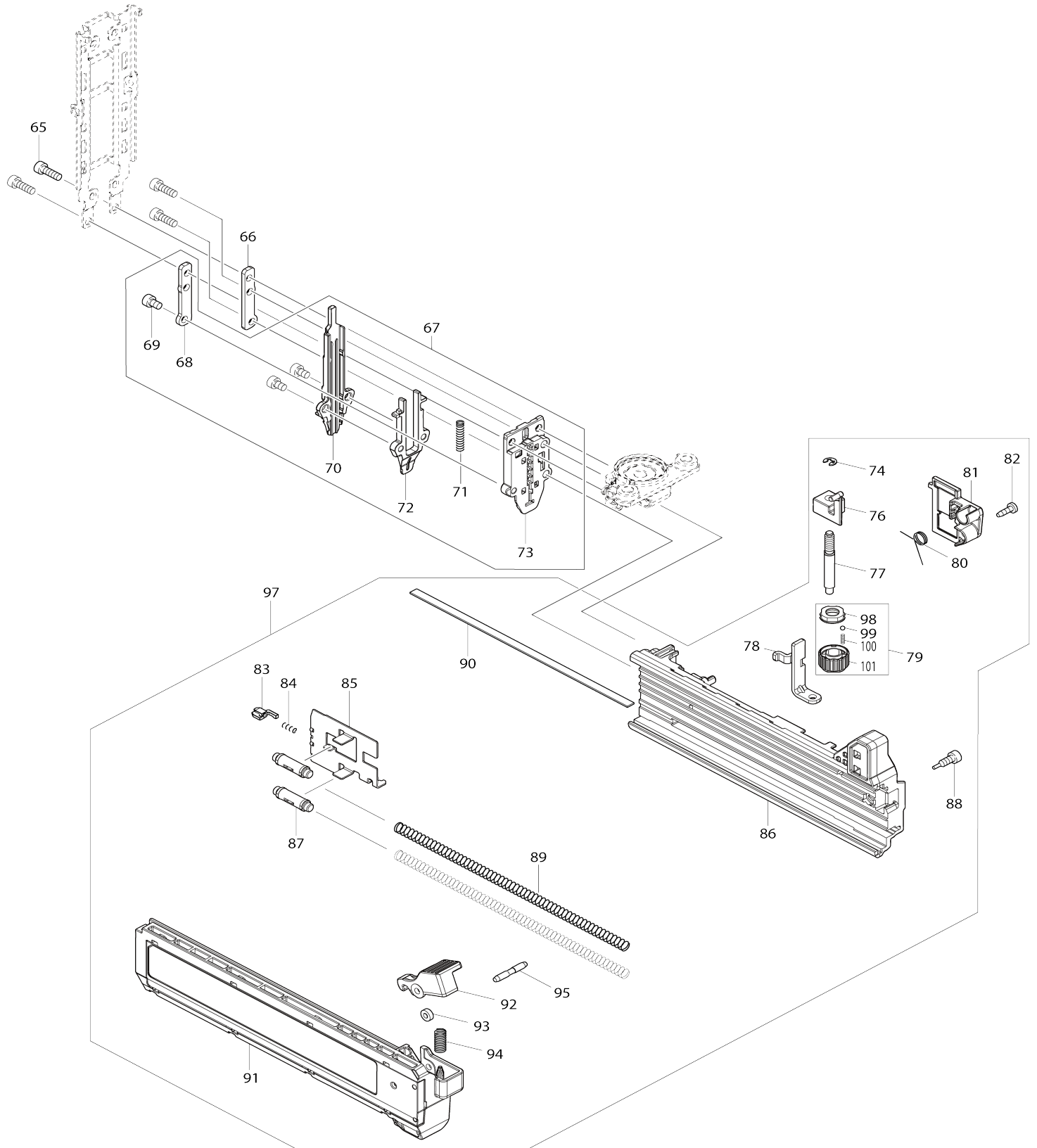


Model No.FN001G 40MM CORDLESS BRAD NAILER



Model No.FN001G 40MM CORDLESS BRAD NAILER



Model No.FN001G 40MM CORDLESS BRAD NAILER

Obj. č.	Obj. č.	Popis	Možn ost zá měny	Množ ství	Nový/ Starý	Poznámka 1	Poznámka 2
001	183S31-9	HOUSING SET		1		obal stroje	
C10	263005-3	vymezovací čep 6		2			
C20	252126-6	HEX. LOCK NUT M4-7		2		matka	
001		INC. 18					
002	811922-7	FN001G NAME PLATE		1			
003	266199-3	HEX.SOCKET HEAD BOLT M4X6		2			
004	266130-9	šroub PT 3X		1			
005	413327-3	HOUSING R COVER		1		kryt	
006	266130-9	šroub PT 3X		9			
007	911108-4	šroub M4x8		2			
008	620507-6	LED CIRCUIT		1		sv	
009	620F54-3	CONTROLLER		1		ovl	
010	632P49-4	TERMINAL UNIT		1		termin	
011	811926-9	FN001G SERIAL NO. LABEL		1			
012	140W22-7	SWITCH COMPLETE		1		vyp	
013	456799-9	TRIGGER LOCK		1		z	
014	632S31-1	SWITCH UNIT		1		vyp	
015	232370-1	COMPRESSION SPRING 5		1		pru	
016	413328-1	TRIGGER		1		spou	
017	140W22-7	SWITCH COMPLETE		1		vyp	
018	183S31-9	HOUSING SET		1		obal stroje	
C10	263005-3	vymezovací čep 6		2			
C20	252126-6	HEX. LOCK NUT M4-7		2		matka	
018		INC. 1					
019	915101-0	BINDING HEAD SCREW M4X6		4			
020	413326-5	FRONT COVER		1		p	
021	347528-0	UPPER PLATE		1		deska	
022	256882-0	FLAT FILLISTER HD. PIN 4		1			
023	347791-5	DRIVER		1		veden	
024	347793-1	RAIL		1		kolej	
025	313352-3	COUNTER WEIGHT A		2		protiz	
026	310925-3	COUNTER WEIGHT B		2		z	
027	251566-5	H.S.H BOLT M4X6 WITH W		2			
028	347146-4	PINION GUIDE		2		veden	
029	413330-4	COUNTER WEIGHT HOLDER		4		dr	
030	136104-3	SPUR GEAR ASSEMBLY		2		vzp	
032	326902-5	PINION SHAFT		2			
033	251566-5	H.S.H BOLT M4X6 WITH W		4	*		
033-1	266199-3	HEX.SOCKET HEAD BOLT M4X6	<	4			
034	347801-8	GUIDE RAIL L		1		veden	
035	347802-6	GUIDE RAIL R		1		veden	
036	327756-3	GUIDE BOLT		1			
037	347796-5	BOTTOM PLATE		1		deska	
038	313353-1	BOTTOM HOLDER		1		dr	
040	232670-9	COMPRESSION SPRING 16		1		pru	
041	347794-9	HAMMER		1		kladivo	
042	422664-4	CUSHION		1		doraz	
043	253804-1	podložka 6		1		podlo	

044	922107-1	imbus M4x8		1		imbus M4x8	
045	312A82-9	HOLDER		1		dr	
046	252273-3	HEX. NUT M6		1		matka=old931302-2	
047	347797-3	COUNTER STOPPER		1		doraz	
048	422663-6	COUNTER CUSHION		2		doraz	
049	327757-1	WEIGHT		2		z	
050	232671-7	COMPRESSION SPRING 9		2		pru	
051	327754-7	GUIDE PIPE		2		veden	
052	347795-7	GEAR PLATE		1		deska	
053	266901-4	TAPPING SCREW 4X14		1			
054	140Y40-7	SPUR GEAR 64 COMPLETE		1		ozuben	
055	347800-0	LOCK ARM		1		z	
056	327753-9	LOCK PIN		1		z	
057	140Y39-2	BASE PLATE COMPLETE		1		deska	
058	227860-7	SPUR GEAR 29		1		ozuben	
059	962067-5	RETAINING RING R-17		1		krou	
060	211099-2	kuličkové ložisko 689ZZ		1		kuli	
061	227859-2	SPUR GEAR 9		1		ozuben	
062	211343-7	BALL BEARING 688ZZ		1		kuli	
063	312A84-5	BEARING CASE		1		pouzro lo	
064	265911-8	HEX. SOCKET HEAD BOLT M4X8		2			
065	922117-8	HEX. SOCKET HEAD BOLT M4X12		4			
066	347523-0	PLATE		1		deska	
067	127761-8	DRIVER GUIDE ASSEMBLY		1		veden	
067		INC. 68-73					
068	347523-0	PLATE		1		deska	
069	922102-1	6-Kantschraube M4x6		3		6-Kantschraube M4x6=new922109-7	
070	313350-7	DRIVER GUIDE		1			
071	232512-7	COMPRESSION SPRING 3		1		veden	
072	313351-5	CENTER PLATE		1		veden	
073	313349-2	SET PLATE		1			
074	961017-7	zajišťovací kroužek E-3		1		zaji	
076	413321-5	CONTACT ARM		1		kontakt ramene	
077	327755-5	ADJUSTER SHAFT		1		h	
078	347799-9	ARM		1		rameno	
079	127763-4	ADJUSTER ASSEMBLY		1		nastaven	
079		INC. 98-101					
080	232514-3	TORSION SPRING 7		1		pru	
081	413325-7	ADJUSTER COVER		1		nastaven	
082	266007-8	Tapping Screw Bind PT3x1=old320266007		1		Tapping Screw Bind PT3x1=old320266007	
083	310176-8	STOPPER		1		zar	
084	233018-8	vinutá pružina 3 JR3030T		1		vinut	
085	347792-3	PUSHER		1		doraz	
086	413324-9	MAGAZINE		1		z	
087	459313-0	SLEEVE		2		pouzdro	
088	265A52-6	HEX.SOCKET HEAD BOLT M4X14		1			
089	234325-2	COMPRESSION SPRING 6		2			
090	346774-2	NAIL PLATE		1			
091	140Y45-7	SLIDE DOOR COMPLETE		1		kluz	
092	413329-9	LEVER		1		p	

093	262054-7	o kroužek		1	o krou	
094	233117-6	pružina 6 GA7010C/9010C/S		1	pru	
095	256877-3	PIN 3		1		
097	136392-2	MAGAZINE ASSY		1	z	
097		INC. 74,76-95				
098	413323-1	ADJUSTER GUIDE		1		
099	216031-1	STEEL BALL 2.3		1		
100	234254-9	COMPRESSION SPRING 2		1		
101	413322-3	ADJUSTER		1		
102	127760-0	GEAR ASSEMBLY		1	p	
103	266490-9	TAPPING SCREW PT 2X6		3		
104	652069-6	FLAT HEAD SCREW M3X6		3		
105	629464-5	STATOR		1	stator	
106	619676-8	ROTOR		1	rotor	
107	265B75-0	H.S.H.BOLT M4X8 WITH WG		2		
108	232672-5	LEAF SPRING		1	pru	
109	232673-3	LEAF SPRING		1	pru	
110	8007R2-2	XGT LOGO LABEL		1		
111	347798-1	HOLDER PLATE		1	dr	
112	136444-9	SPUR GEAR 9 ASSY		1	dr	
112		INC. 59-63				
A02	251314-2	028078		1		
A03	346317-0	háček BDF/BHP446_456		1	h	
A04	422665-2	NOSE ADAPTER S		1		
A05	783201-2	klíč inbus 3		1		
A06	141A98-5	PLASTIC CASE COMPLETE		1		
C10	162302-3	spona		2	spona	
A07	8031B3-1	FN001GA201 MODEL NO. LABEL		1		
A08	***DC40RA	DC40RA FAST CHARGER		1		
A08		COMPO-PARTS				
A09	191L29-0	BATTERY BL4020 SET		2		
A10	412393-7	BATTERY COVER		1		

Prosím uveďte objednáací číslo dílu v objednávce

Datum tisku 24. 10. 2024