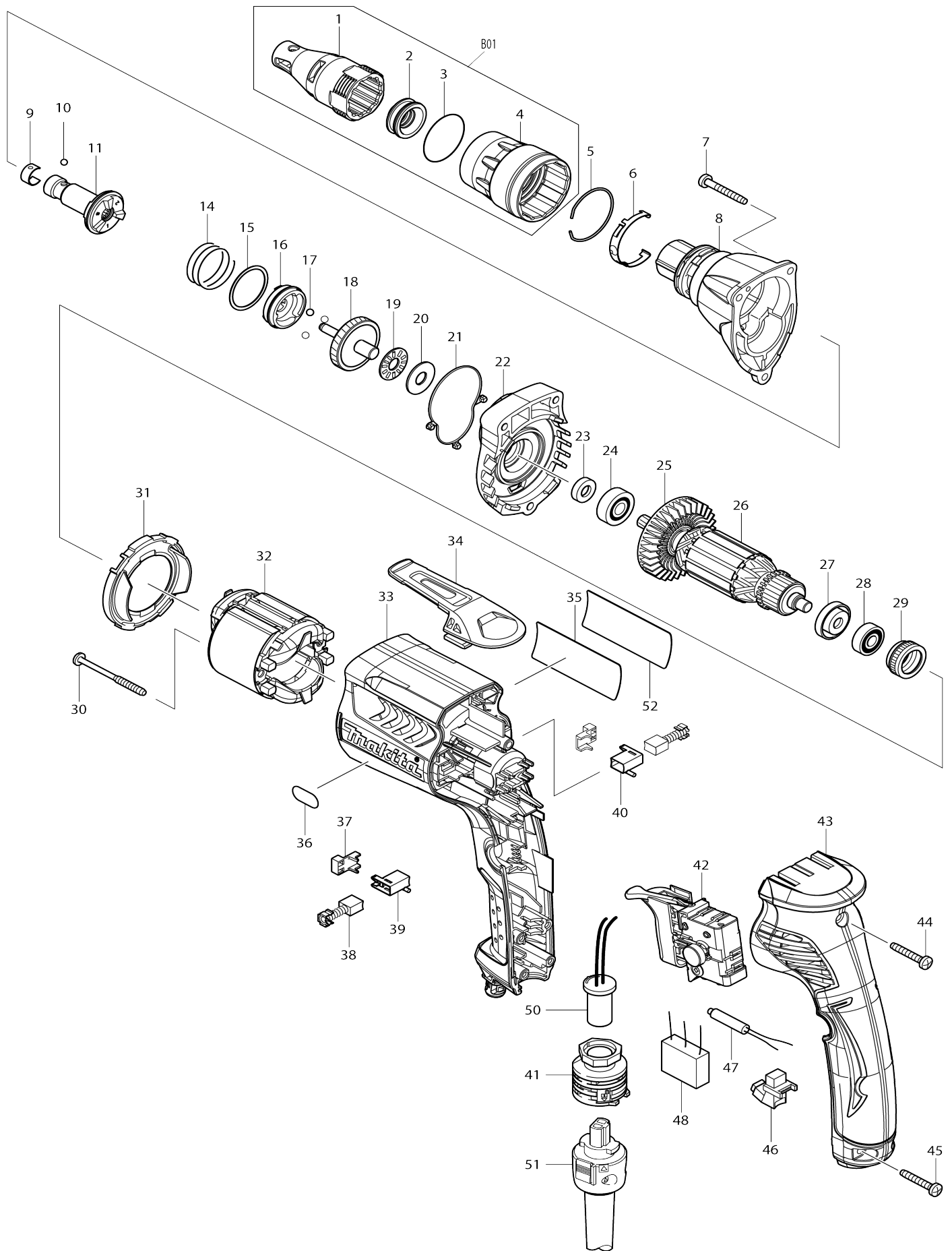


Model No.FS6300R ELEKTRONICKÝ ŠROUBOVÁK



Model No.FS6300R ELEKTRONICKÝ ŠROUBOVÁK

| Obj. č. | Obj. č. | Popis | Možnost záměny | Množství | Nový/Starý | Poznámka 1 | Poznámka 2 |
|---------|----------|----------------------------------|----------------|----------|------------|---|------------|
| 001 | 158875-2 | doraz | | 1 | | | |
| 002 | 424163-2 | prachovka | | 1 | | prachovka FS4000 | |
| 003 | 424235-3 | těsnění | | 1 | | t | |
| 004 | 450881-6 | fixovací kroužek | | 1 | * | | |
| 004-1 | 455591-0 | LOCK RING | O | 1 | | krou | |
| 005 | 233974-2 | pérová podložka=new234266-2 | | 1 | | | |
| 006 | 232245-4 | pružina | | 1 | | pru | |
| 007 | 266361-0 | šroubek 4x30 | | 3 | | | |
| 008 | 158881-7 | GEAR HOUSING HSA COMPLETE | | 1 | | pouzdro p | |
| 009 | 232050-9 | listová pružina | | 1 | | listov | |
| 010 | 216001-0 | kulička 3.5 | | 1 | | | |
| 011 | 158886-7 | vřeteno | | 1 | | v | |
| 014 | 234121-8 | COMPRESSION SPRING 8 | | 1 | | pru | |
| 015 | 267202-3 | podložka 8 6823 | | 2 | | podlo | |
| 016 | 223170-0 | ozubené kolo | | 1 | | ozuben | |
| 017 | 216008-6 | kulička 4 | | 3 | | kuli | |
| 018 | 158885-9 | ozubené kolo | | 1 | | ozuben | |
| 019 | 216415-3 | třecí podložka 6823 /20 | | 1 | * | t | |
| 019-1 | 216415-3 | třecí podložka 6823 /20 | O | 1 | | t | |
| 020 | 216212-7 | podložka 821 | | 1 | | podlo | |
| 021 | 424162-4 | SEAL RING | | 1 | | | |
| 022 | 158874-4 | GEAR HOUSING COVER COMPLETE | | 1 | | sk | |
| 023 | 451100-3 | RING 8 | | 1 | | | |
| 024 | 210007-0 | kuličkové ložisko 608VV | | 1 | | kuli | |
| 025 | 240083-0 | větrák | | 1 | | v | |
| 026 | 515754-1 | rotor | | 1 | | rotor FS6300 | |
| 026 | | INC. 23-25,27,28 | | | | | |
| 027 | 681636-0 | izolační podložka = old 681667-9 | | 1 | | izola | |
| 028 | 210062-2 | ložisko MT952 | | 1 | | kuli | |
| 029 | 421868-5 | kroužek 9554-9555 | | 1 | | | |
| 030 | 266467-4 | TAPPING SCREW 4X50 | | 2 | | | |
| 031 | 450880-8 | BAFFLE PLATE | | 1 | | desti | |
| 032 | 633693-4 | stator | | 1 | | stator FS2300 FS2700 FS4000 FS4300 FS6300 | |
| 033 | 450878-5 | MOTOR HOUSING L | | 1 | | | |
| 034 | 162272-6 | HOOK | | 1 | | h | |
| 035 | 866561-8 | FS6300R NAME PLATE | | 1 | | | |
| 036 | 808576-9 | 6000RPM INDICATION LABEL | | 1 | | | |
| 037 | 689111-0 | guma držáku uhlíků HR2440 | | 2 | | guma dr | |
| 038 | 191962-4 | uhlíky CB-419 = CB-406,407 | | 1 | * | uhl | |
| 038-1 | 195015-1 | CARBON BRUSH SET CB-419 | O | 1 | | uhl | |
| 039 | 643948-9 | držák uhlíku | | 1 | | dr | |
| 040 | 643951-0 | BRUSH HOLDER | | 1 | | | |
| 041 | 687129-5 | INLET HOLDER | | 1 | | dr | |
| 042 | 650614-1 | vypínač | | 1 | | vyp | |
| 043 | 158878-6 | držadlo | | 1 | | dr | |
| C10 | 263002-9 | vymezovací čep 4 | | 2 | | | |

| | | | | | | |
|-------|----------|-------------------------|---|---|---|----------------|
| 044 | 266374-1 | šroub 4x25 | | 1 | | |
| 045 | 266374-1 | šroub 4x25 | | 2 | | |
| 046 | 631939-2 | LIGHT CIRCUIT | | 1 | | |
| 047 | 646122-8 | kondenzátor=old645253-0 | | 1 | | kondenz |
| 048 | 645253-0 | NOISE SUPPRESSOR | | 1 | | 920714 kondenz |
| 050 | 655413-6 | INLET | | 1 | | |
| 051 | 699023-9 | POWER SUPPLY CORD UNIT | | 1 | | |
| 052 | 819349-5 | CLEAR LABEL | | 1 | * | |
| 052-1 | 892811-5 | CLEAR LABEL | | 1 | | |
| 053 | 423413-2 | RUBBER PLATE | | 1 | | gumov |
| A01 | 784261-7 | +BIT 2-25 | | 2 | | |
| A02 | 784811-8 | magnetický držák | | 1 | | |
| B01 | 197025-4 | LOCATOR S SET | | 1 | | |
| B01 | | INC. 1-4 | | | | |
| F13 | 199156-5 | SQUARE BIT 2-130 SET | | 1 | | |
| F15-2 | 191L24-0 | AUTOFEED ATTACHMENT SET | < | 1 | | |
| F23-1 | 191L23-2 | AUTOFEED ATTACHMENT SET | < | 1 | | |

Prosím uveďte objednáč číslo dílu v objednávce

Datum tisku 24. 10. 2024