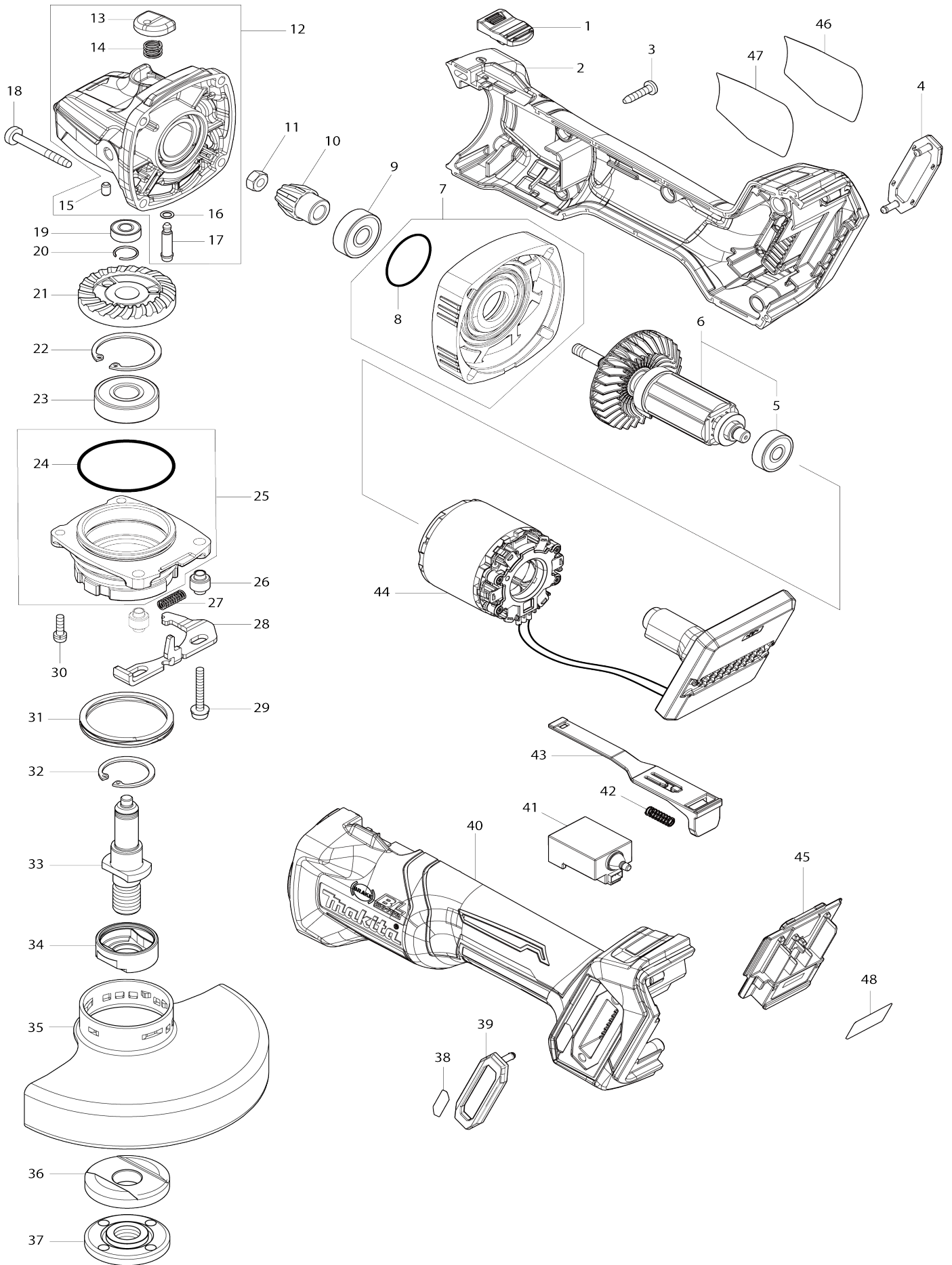


Model No.GA005G 125MM CORDLESS ANGLE GRINDER



Model No.GA005G 125MM CORDLESS ANGLE GRINDER

Obj. č.	Obj. č.	Popis	Možn ost zá měny	Množ ství	Nový/ Starý	Poznámka 1	Poznámka 2
001	455447-7	SWITCH KNOB		1		tla	
002	183N63-6	MOTOR HOUSING SET		1		obal motoru	
C10	263005-3	vymezovací čep 6		2			
002		INC. 40					
003	266326-2	šroub 4x18=new265995-6		5			
004	422563-0	DUST COVER		1		prachov	
005	210023-2	kuličkové ložisko 627 DDW		1	*		
005-1	210325-6	BALL BEARING 627DDW	<	1			
006	519595-7	ROTOR ASS'Y		1	*	rotor	
006		INC. 5			*		
006-1	510614-2	ROTOR ASS'Y	<	1			
006-1		INC. 5					
007	136190-4	GEAR HOUSING COVER ASS'Y		1		obal p	
007		INC. 8					
008	213445-5	o-kroužek 26		1			
009	210042-8	BALL BEARING 629LLB		1			
010	226976-5	SPIRAL BEVEL GEAR 10		1		ozuben	
011	252186-8	matka 9554-9558		1		matka 9554-9558	
012	136198-8	GEAR HOUSING ASS'Y		1		obal p	
012		INC. 13-17					
013	412234-7	PIN CAP		1			
014	233072-2	vinutá pružina 8		1		vinut	
015	263002-9	vymezovací čep 4		1			
016	213960-9	o-kroužek 9554-9558NB		1		o-krou	
017	256546-6	SHOULDER PIN 4		1			
018	266048-4	šroub 4x40		4			
019	210033-9	ložisko 696ZZ		1		lo	
020	233950-6	pružina		1		pru	
021	226862-0	SPIRAL BEVEL GEAR 37		1		ozuben	
022	962151-6	segrovka vnitřní R-32		1		segrovka vnit	
023	211129-9	kul.lož. 6201=old922088,211143-5 211122-3		1		kul.lo	
024	213622-9	o-kroužek 45 9554NB-9558NB		1	*	o-krou	
024-1	213622-9	o-kroužek 45 9554NB-9558NB	O	1		o-krou	
025	136197-0	BEARING BOX ASS'Y		1	*		
025		INC. 24			*		
025-1	136262-5	BEARING BOX ASS'Y	<	1		pouzdro lo	
C10	213510-0	o-kroužek = old 213508-7		1		o-krou	
025-1		INC. 24,31					
026	327322-6	SLEEVE 4		2		pouzdro	
027	232490-1	COMPRESSION SPRING 4		1		pru	
028	347641-4	LEVER B		1		p	
029	911159-7	PAN HEAD SCREW M4X30		2			
030	911138-5	P.H.SCREW M4X20 WITH WR		2			
031	232542-8	COILED WAVE SPRING 41		1	*	pru	
031-1	232542-8	COILED WAVE SPRING 41	O	1		pru	
032	962105-3	segrovka vnitřní R-26		1			
033	326672-6	SPINDLE		1		v	

034	310514-4	LEAD FLANGE		1		p	
035	347480-2	WHEEL COVER 125		1	*	kryt kotou	
035-1	141P46-4	WHEEL COVER 125 COMPLETE	<	1			
C10	8050A1-8	CAUTION LABEL		1			
036	224447-6	INNER FLANGE 42B		1		p	
037	224554-5	upevňovací matice 14-45 9524		1		upev	
038	8007R2-2	XGT LOGO LABEL		1			
039	422563-0	DUST COVER		1		prachov	
040	183N63-6	MOTOR HOUSING SET		1		obal motoru	
C10	263005-3	vymezovací čep 6		2			
040		INC. 2					
041	651445-1	SWITCH FPM-1130		1		vyp	
042	233121-5	pružina táhla vypínače 9554NB		1		pru	
043	412233-9	SWITCH LEVER		1		p	
044	629458-0	STATOR COMPLETE		1		stator	
045	632P65-6	TERMINAL UNIT		1		termin	
046	8008U5-3	CLEAR LABEL		1	*		
047	856U17-5	GA005G NAME PLATE		1			
048	856U23-0	GA005G SERIAL NO. LABEL		1			
A01	158237-4	GRIP 36 COMPLETE		1			
A02	A-80656	GRINDING WHEEL 125 WA36N		1			
A03	782423-1	klíč 35=old 782421-5		1			
A04	412393-7	BATTERY COVER		2			
A05	***DC40RA	DC40RA FAST CHARGER		1			
A05		COMPO-PARTS					
A06	191B36-3	BATTERY BL4025 SET		2			
A06	191B26-6	BATTERY BL4040 SET		2			
A07	821552-6	systainer Makpac 395x295x315 mm=old824783-6		1			
C10	453974-8	LATCH		4		spona Makpacu	
A08	8011A6-2	GA005GZ01 INDICATION LABEL		1			
A08	8010Y4-8	GA005GD201 INDICATION LABEL		1	*		
A08	8011C0-8	GA005GM201 INDICATION LABEL		1	*		
A09	8011A7-0	GA005GZ01 PLASTIC CASE LABEL		2			
A09	8010Y5-6	GA005GD201 PLASTIC CASE LABEL		2			
A09	8011C1-6	GA005GM201 PLASTIC CASE LABEL		2			
A10	835E79-0	INNER TRAY		1			
A12	199710-5	CUTTING W.C.A. 125 SET		1		kryt 125	
F04	194514-0	antivibrační rukojeť		1			
F13	191W05-0	115/125MM DUST COVER SET		1			
C10	743129-6	BRUSH A		1			
C20	743130-1	BRUSH B		1			
F19	1910Y0-7	WHEEL COVER 125C SET		1			

Prosím uveďte objednáčíslo dílu v objednávce

Datum tisku 25. 10. 2024