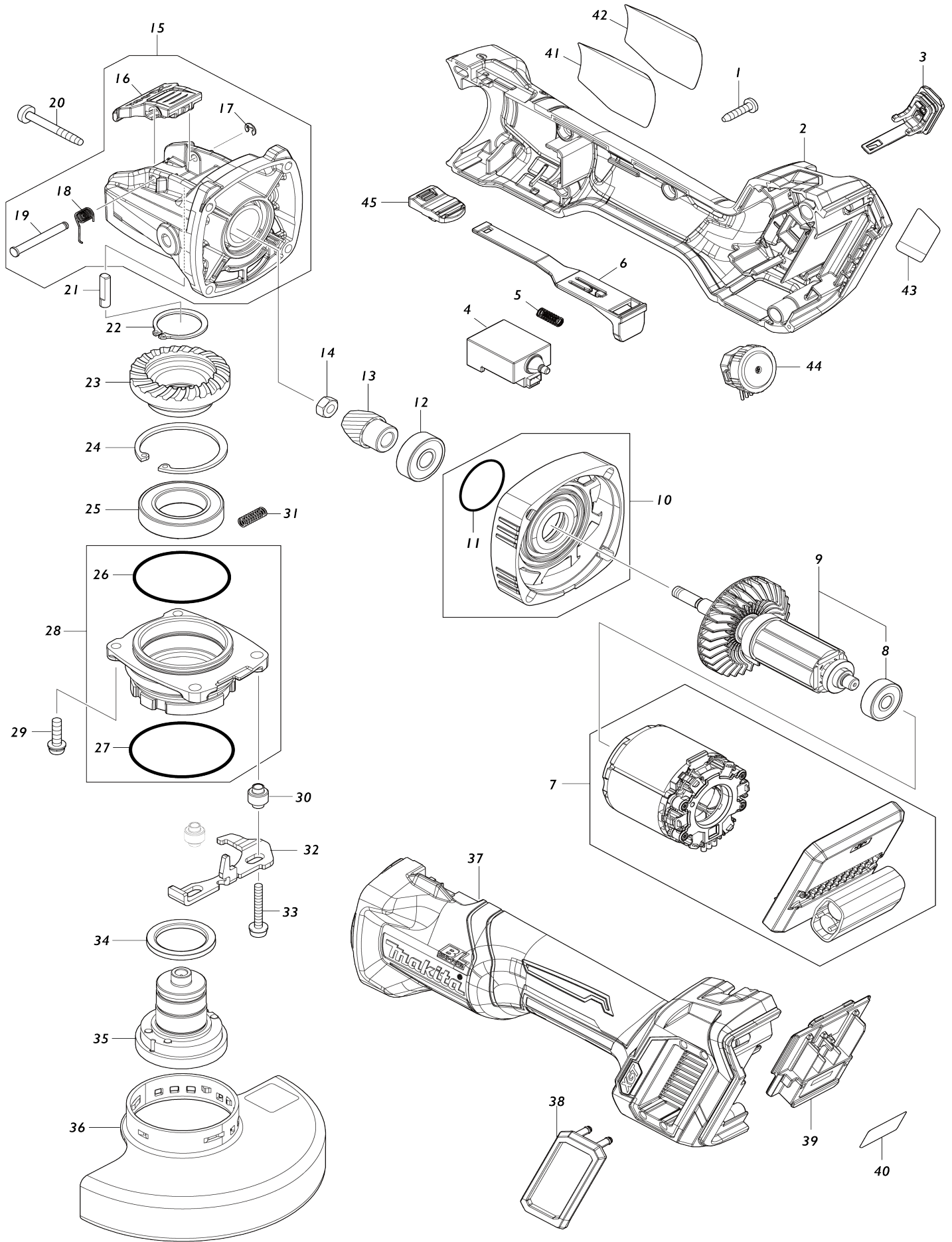


# Model No.GA041G 125MM CORDLESS ANGLE GRINDER



**Model No.GA041G 125MM CORDLESS ANGLE GRINDER**

Obj. č.	Obj. č.	Popis	Možn ost zá měny	Množ ství	Nový/ Starý	Poznámka 1	Poznámka 2
001	266326-2	šroub 4x18=new265995-6		5			
002	183W44-4	MOTOR HOUSING SET		1		obal motoru	
C10	263005-3	vymezovací čep 6		2			
C20	8005T5-8	XGT LOGO LABEL		1			
002		INC. 37					
003	140G30-2	CAP COMPLETE		1		v	
C10	213A05-9	O-RING16		1		o krou	
C20	818H48-4	CAP LABEL		1			
004	651445-1	SWITCH FPM-1130		1		vyp	
005	233121-5	pružina táhla vypínače 9554NB		1		pru	
006	412233-9	SWITCH LEVER		1		p	
007	629498-8	STATOR COMPLETE		1		stator	
008	210023-2	kuličkové ložisko 627 DDW		1	*		
008-1	210325-6	BALL BEARING 627DDW	<	1			
009	519762-4	ROTOR ASS'Y		1	*	rotor	
009		INC. 8			*		
009-1	510616-8	ROTOR ASS'Y	<	1			
009-1		INC. 8					
010	136190-4	GEAR HOUSING COVER ASS'Y		1		obal p	
010		INC. 11					
011	213445-5	o-kroužek 26		1			
012	210042-8	BALL BEARING 629LLB		1			
013	226950-3	SPIRAL BEVEL GEAR 10		1		ozuben	
014	252186-8	matka 9554-9558		1		matka 9554-9558	
015	136715-4	GEAR HOUSING ASS'Y		1		obal p	
015		INC. 16-19					
016	459967-3	LEVER		1		p	
017	961017-7	zajišťovací kroužek E-3		1		zaji	
018	232576-1	TORSION SPRING 5		1		pru	
019	256935-5	HEADED PIN 4		1			
020	266048-4	šroub 4x40		4			
021	327460-4	SHAFT		1		ty	
022	961104-2	segrovka S-24		1		segrovka S-24	
023	226951-1	SPIRAL BEVEL GEAR 37		1		ozuben	
024	962201-7	RETAINING RING (INT) R-42		1			
025	210208-0	BALL BEARING 6905DDW		1		lo	
026	213622-9	o-kroužek 45 9554NB-9558NB		1		o-krou	
027	213783-5	O-RING 48		1		o krou	
028	136716-2	BEARING BOX ASS'Y		1		pouzdro lo	
028		INC. 26,27					
029	911138-5	P.H.SCREW M4X20 WITH WR		2			
030	327322-6	SLEEVE 4		2		pouzdro	
031	232490-1	COMPRESSION SPRING 4		1		pru	
032	347A22-8	LEVER		1		p	
033	911159-7	PAN HEAD SCREW M4X30		2			
034	327459-9	RING 25		1		krou	
035	127428-8	SPINDLE ASSEMBLY		1		v	
036	141L27-4	WHEEL COVER 125 COMPLETE		1		kryt kotou	

C10	8050A1-8	CAUTION LABEL		1		
037	183W44-4	MOTOR HOUSING SET		1		obal motoru
C10	263005-3	vymezovací čep 6		2		
C20	8005T5-8	XGT LOGO LABEL		1		
037		INC. 2				
038	422610-7	DUST COVER		1		prachov
039	632P65-6	TERMINAL UNIT		1		termin
040	858G22-4	GA041G SERIAL NO. LABEL		1		
041	858G16-9	GA041G NAME PLATE		1		
042	8008U5-3	CLEAR LABEL		1	*	
043	8015J1-9	INDICATION LABEL		1		
044	620D30-5	DIAL CIRCUIT		1		elektronika
045	455447-7	SWITCH KNOB		1		tla
A01	199710-5	CUTTING W.C.A. 125 SET		1		kryt 125
A02	158237-4	GRIP 36 COMPLETE		1		
A03	E-00402	GRINDING WHEEL INOX 125 X-L OCK		1		
A04	8054R4-5	GA041GD201 INDICATION LABEL		1		
A04	8054R6-1	GA041GM201 INDICATION LABEL		1		
A05	8054U6-2	GA041GD201 PLASTIC CASE LABEL		2		
A05	8054U8-8	GA041GM201 PLASTIC CASE LABEL		2		
A06	821552-6	systainer Makpac 395x295x315 mm=old824783-6		1		
C10	453974-8	LATCH		4		spona Makpacu
A07	835E79-0	INNER TRAY		1		
A08	***DC40RA	DC40RA FAST CHARGER		1		
A08		COMPO-PARTS				
A09	191B36-3	BATTERY BL4025 SET		2		
A09	191B26-6	BATTERY BL4040 SET		2		
A10	412393-7	BATTERY COVER		2		
F06	191G05-4	125MM DUST COLLECT COVER SET		1		
F07	194514-0	antivibrační rukojeť		1		

Prosím uveďte objednací číslo dílu v objednávce

Datum tisku 25. 10. 2024