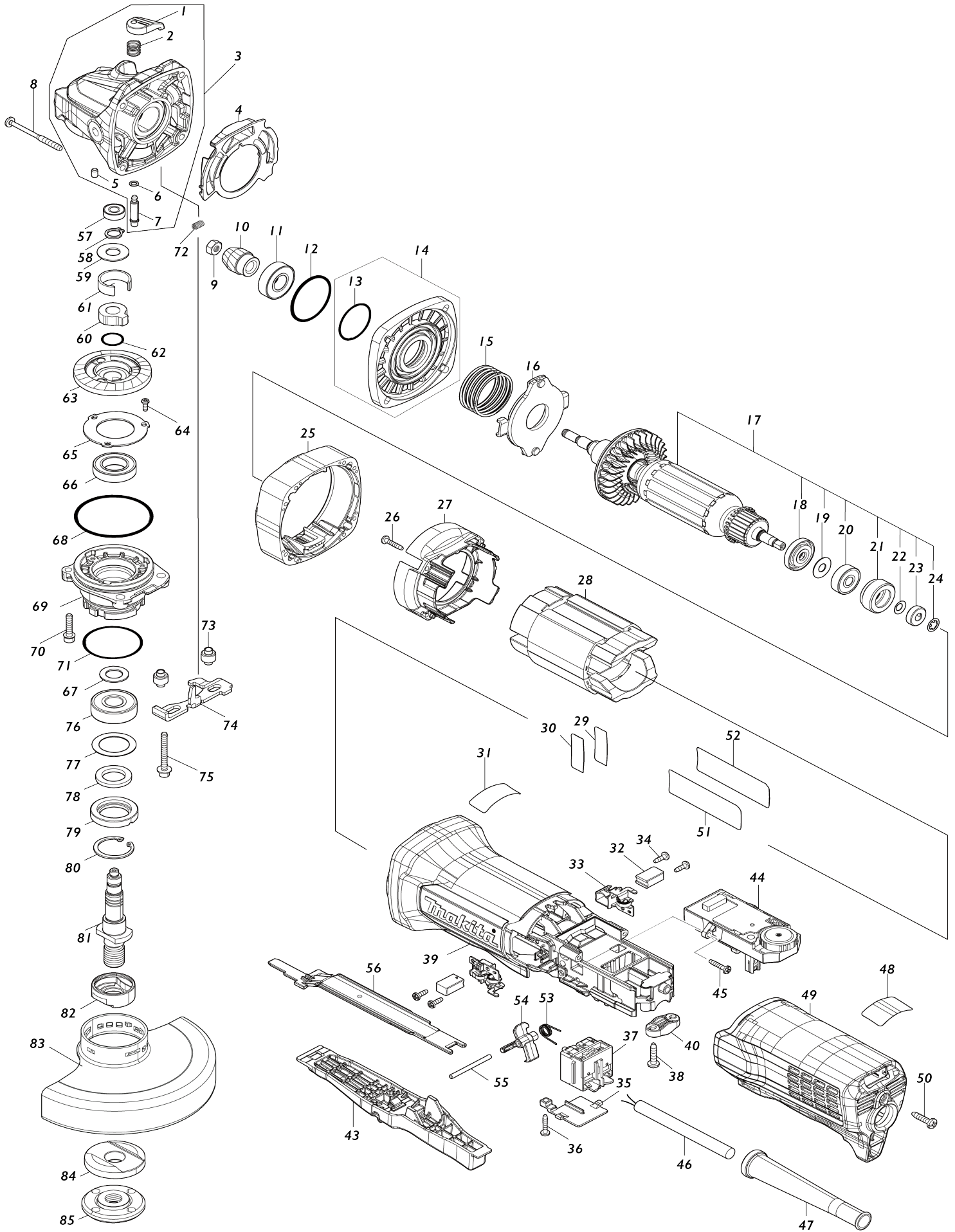


Model No.GA5093 125MM ANGLE GRINDER



Model No.GA5093 125MM ANGLE GRINDER

| Obj. č. | Obj. č. | Popis | Možn ost zá měny | Množ ství | Nový/ Starý | Poznámka 1 | Poznámka 2 |
|---------|----------|---|------------------------|--------------|----------------|---|------------|
| 001 | 453369-5 | PIN CAP | | 1 | | tla | |
| 002 | 234057-1 | pružina 8 GA5020/6020 | | 1 | | pru | |
| 003 | 136770-6 | GEAR HOUSING ASS'Y | | 1 | | obal p | |
| 003 | | INC. 1,2,5-7 | | | | | |
| 004 | 413C06-1 | DIFFUSER | | 1 | | difuzor | |
| 005 | 263002-9 | vymezovací čep 4 | | 1 | | | |
| 006 | 213032-0 | o kroužek 4 9554NB-9558NB/BG A45 | | 1 | * | o krou | |
| 006-1 | 213960-9 | o-kroužek 9554-9558NB | O | 1 | | o-krou | |
| 007 | 256535-1 | SHOULDER PIN 6 | | 1 | | areta | |
| 008 | 266467-4 | TAPPING SCREW 4X50 | | 4 | | | |
| 009 | 252186-8 | matka 9554-9558 | | 1 | | matka 9554-9558 | |
| 010 | 227916-6 | SPIRAL BEVEL GEAR 11 | | 1 | | ozuben | |
| 011 | 211131-2 | kuličkové ložisko 6001DDW =old 922041 | | 1 | | lo | |
| 012 | 422812-5 | RUBBER PLATE | | 1 | | pry | |
| 013 | 213693-6 | O-RING 27.5 | | 1 | | | |
| 014 | 136771-4 | GEAR HOUSING COVER ASS'Y | | 1 | | obal p | |
| 014 | | INC. 13 | | | | | |
| 015 | 234230-3 | COMPRESSION SPRING 33 | | 1 | | | |
| 016 | 141515-9 | BRAKE SHOE HOLDER COMPLET E | | 1 | | dr | |
| 017 | 511A44-6 | ARMATURE ASS'Y 240V | | 1 | | rotor | |
| 017 | | INC. 18-24 | | | | | |
| 018 | 681656-4 | izolační podložka 9562C | | 1 | | izola | |
| 019 | 253823-7 | podložka 7 | | 1 | | podlo | |
| 020 | 210027-4 | kuličkové ložisko 627DDW | | 1 | | kuli | |
| 021 | 422811-7 | LABYRINTH RUBBER RING 22 | | 1 | | | |
| 022 | 267756-0 | vymezovací podložka | | 1 | | vymezovac | |
| 023 | 688117-5 | magnetický snímač=new688174- 3 | | 1 | | magnetick | |
| 024 | 259039-2 | zajišťovací kroužek 6 | | 1 | | zaji | |
| 025 | 413C05-3 | SPACER | | 1 | | mezern | |
| 026 | 266429-2 | TAPPING SCREW 3X16 | | 4 | | | |
| 027 | 413C08-7 | BAFFLE PLATE B | | 1 | | elektronika | |
| 028 | 621A18-0 | FIELD 220-240V | | 1 | | stator 220-240V | |
| 029 | 807G78-4 | CLEAR LABEL | | 1 | * | | |
| 030 | 858X97-5 | GA5093 SERIAL NO. LABEL | | 1 | | | |
| 031 | 898443-6 | SJS2 MARK LABEL | | 1 | * | | |
| 032 | 1910M3-7 | CARBON BRUSH 264 SET | | 1 | | uhl | |
| 033 | 644011-1 | BRUSH HOLDER | | 2 | | dr | |
| 034 | 266007-8 | Tapping Screw Bind PT3x1=old3 20266007 | | 4 | | Tapping Screw Bind P T3x1=old320266007 | |
| 035 | 413H00-3 | SWITCH COVER | | 1 | | kryt vyp | |
| 036 | 266429-2 | TAPPING SCREW 3X16 | | 1 | | | |
| 037 | 650028-4 | SWITCH FPC-2115T-0-02 | | 1 | | sp | |
| 038 | 266326-2 | šroub 4x18=new265995-6 | | 2 | * | | |
| 038-1 | 265B67-9 | TAPPING SCREW 4X18 | O | 2 | | | |
| 039 | 413G97-6 | MOTOR HOUSING B | | 1 | | obal stroje B | |
| 040 | 687124-5 | držák kabelu | | 1 | | dr | |

| | | | | | | | |
|-------|----------|--|---|---|---|------------------------------|--|
| 043 | 162B63-7 | SWITCH LEVER COMPLETE | | 1 | | p | |
| 044 | 620H29-4 | CONTROLLER | | 1 | | ovl | |
| 045 | 266429-2 | TAPPING SCREW 3X16 | | 2 | | | |
| 046 | 665890-4 | přívodní kabel 1.0-2-4.0 | | 1 | | | |
| 047 | 682117-7 | CORD GUARD | | 1 | | chr | |
| 048 | 8055D1-9 | INDICATION LABEL | | 1 | | | |
| 049 | 413G99-2 | REAR COVER C | | 1 | | kryt C | |
| 050 | 266326-2 | šroub 4x18=new265995-6 | | 1 | * | | |
| 050-1 | 265B67-9 | TAPPING SCREW 4X18 | O | 1 | | | |
| 051 | 858X94-1 | GA5093 NAME PLATE | | 1 | | | |
| 052 | 8055D2-7 | CLEAR LABEL | | 1 | * | | |
| 053 | 232753-5 | TORSION SPRING 8 | | 1 | | pru | |
| 054 | 413G96-8 | ROLL LINK | | 1 | | spojka | |
| 055 | 256375-7 | ROD 3 | | 1 | | | |
| 056 | 413G87-9 | BRAKE LEVER | | 1 | | brzda | |
| 057 | 210026-6 | kuličkové ložisko 696ZZ =old 210006-2 | | 1 | | kuli | |
| 058 | 961006-2 | segrovka S-10 | | 1 | | segrovka S-10= old. 257408-1 | |
| 059 | 253180-3 | podložka 10 | | 1 | | podlo | |
| 060 | 327918-3 | JOINT SLEEVE | | 1 | | pouzdro | |
| 061 | 347911-1 | C TYPE PLATE | | 1 | | c typov | |
| 062 | 213122-9 | o-kroužek 14 = old 213162-7 | | 1 | | o-krou | |
| 063 | 227917-4 | SPIRAL BEVEL GEAR 38 | | 1 | | ozuben | |
| 064 | 265199-0 | + PAN HEAD SCREW M3X8 | | 3 | | | |
| 065 | 285048-5 | BEARING RETAINER 27-46 | | 1 | | dr | |
| 066 | 210302-8 | BALL BEARING 6903ZZ | | 1 | | lo | |
| 067 | 253744-3 | podložka 12 | | 1 | | podlo | |
| 068 | 213641-5 | O RING 51 | | 1 | | o-krou | |
| 069 | 312C11-4 | BEARING BOX B | | 1 | | pouzdro lo | |
| 070 | 266948-8 | HEX S. H. BOLT M4X20 WITH WR | | 2 | | | |
| 071 | 213789-3 | O-RING 38 | | 1 | * | O krou | |
| 071-1 | 262211-7 | RUBBER RING 37 | < | 1 | * | | |
| 071-2 | 213789-3 | O-RING 38 | < | 1 | | O krou | |
| 072 | 232490-1 | COMPRESSION SPRING 4 | | 1 | | pru | |
| 073 | 327322-6 | SLEEVE 4 | | 2 | | pouzdro | |
| 074 | 347910-3 | LEVER B | | 1 | | p | |
| 075 | 265C21-9 | H.S.H.BOLT M4X35(WITH WG) | | 2 | | | |
| 076 | 211129-9 | kuř. lož. 6201=old922088,211143-5 211122-3 | | 1 | | kuř.lo | |
| 077 | 267279-8 | podložka | | 1 | | podlo | |
| 078 | 443124-3 | filcová podložka | | 1 | | filcov | |
| 079 | 285854-8 | BEARING RETAINER 20-33 | | 1 | | pouzdro lo | |
| 080 | 962105-3 | segrovka vnitřní R-26 | | 1 | | | |
| 081 | 327917-5 | SPINDLE | | 1 | | v | |
| 082 | 310514-4 | LEAD FLANGE | | 1 | | p | |
| 083 | 141L54-1 | WHEEL COVER 125 COMPLETE | | 1 | * | | |
| C10 | 8050A1-8 | CAUTION LABEL | | 1 | * | | |
| 083-1 | 141P46-4 | WHEEL COVER 125 COMPLETE | < | 1 | | | |
| C10 | 8050A1-8 | CAUTION LABEL | | 1 | | | |
| 084 | 224447-6 | INNER FLANGE 42B | | 1 | | p | |
| 085 | 224485-8 | LOCK NUT 14-45 | | 1 | | | |

| | | | | | | |
|-----|----------|---------------------------|--|---|----------|--|
| A01 | A-80656 | GRINDING WHEEL 125 WA36N | | 1 | | |
| A02 | 199710-5 | CUTTING W.C.A. 125 SET | | 1 | kryt 125 | |
| A03 | 162258-0 | antivibrační rukojeť | | 1 | | |
| A04 | 782034-2 | LOCK NUT WRENCH 35 | | 1 | | |
| F02 | 191W05-0 | 115/125MM DUST COVER SET | | 1 | | |
| C10 | 743129-6 | BRUSH A | | 1 | | |
| C20 | 743130-1 | BRUSH B | | 1 | | |
| F03 | 191Y29-8 | DUST COVER ATTACHMENT SET | | 1 | | |
| F04 | 1910X5-0 | GRIP 35 SET | | 1 | | |
| F05 | 1910X6-8 | GRIP 35 SET | | 1 | | |
| F08 | 1910Y0-7 | WHEEL COVER 125C SET | | 1 | | |
| F12 | 194514-0 | antivibrační rukojeť | | 1 | | |

Prosím uveďte objednáč. číslo dílu v objednávce

Datum tisku 25. 10. 2024